

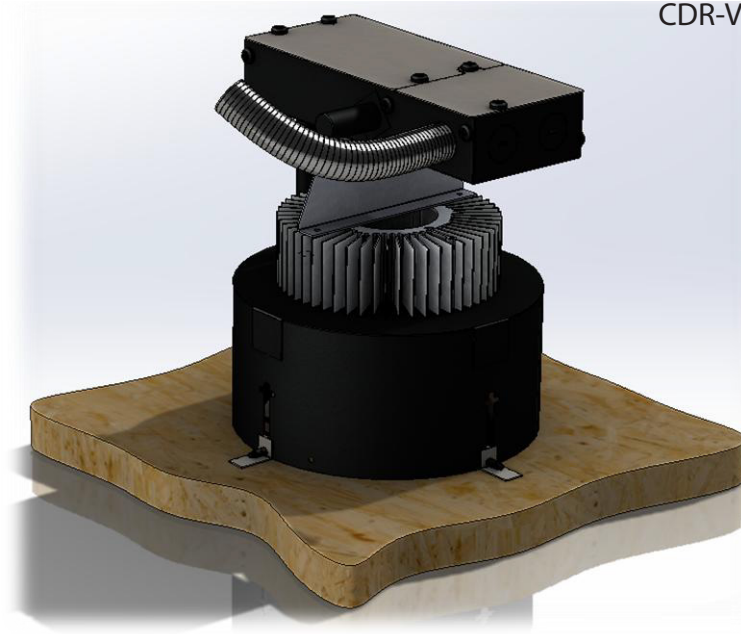
## RECESSED CHALICE DOWNLIGHT

The 6 Inch Recessed Chalice from Altman Lighting is a architectural down light designed for permanent installation and energy savings, it comes in 50, 30 and 12 Watts using a Bridgelux Vero LED engine. Changing lamps in your fixtures has now become a thing of the past.

Integration into an existing control system is easy with the simple 0-10 Dimming and a choice of Spot, Medium or Wide beam angles.

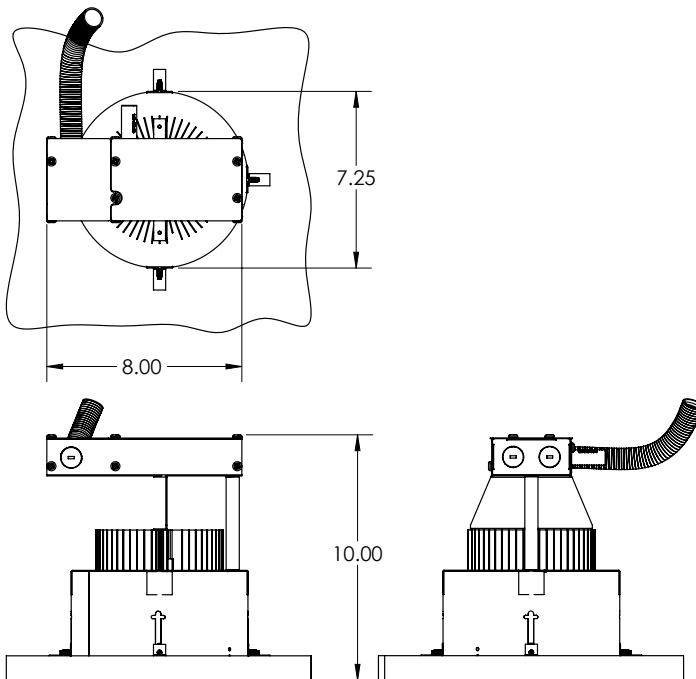
## WASH LIGHTING

Catalog Numbers  
CDR-V\*\*\_\*\*\_\*.\*



### 50/30/12 WATT RECESSED CHALICE DOWNLIGHT Features

- 50/30/12 Watt, 4000K 90 CRI high power recessed down light
- Universal voltage 0-10V dimming capability
- Trim options include 6" baffle trim or 6" flush lens trim
- Field changeable reflectors are available for Spot, Medium or Wide beam angles
- Easy spring clip installation accepts 1/2" to 2" thick ceilings
- Power: 50/30/12W LED driver
- Weight: Approx 10 lbs.
- ETL, cETL and CE Listed for Indoor Use
- Made in the USA



Model #	
CDR-V**_**_*.*	Chalice LED Recessed Mount Downlight
** (Wattage)	50, 30, or 12 Watts
** (LED Color Temp)	Color temperature of LED source: 3K, 4K, 5K, and 6K
* (Trim Ring Color)	B=Black, W=White, S=Silver, C=Custom
* (Control Source)	0=0-10V

**Specifications:**

**Materials:** Construction employs all corrosion-resistant materials and hardware.

**Housing:** Powder coated 20 Ga. Cold rolled steel, Heat sink of anodized aluminum.

**Light Engine:** Bridgelux Vero LED engine at 3K, 4K, 5K and 6K color temperatures. Available in 50W, 30W and 12W.

**Optics:** Primary: Interchangeable Ledil Angela reflectors (Spot, Medium and Wide). Secondary: Optical diffuser lens.

**Rating:** Multi-Voltage; 100-277V AC .

**Trim Ring Finish:** White, Black or Silver TGIC polyester, electrostatic application. Custom Colors available.

**Weight:** Approx. 5 lbs.

Model #	
CDR-V**_**_*_*	Chalice LED Recessed Mount Downlight
** (Wattage)	50, 30, or 12 Watts
** (LED Color Temp)	Color temperature of LED source: 3K, 4K, 5K, and 6K
* (Trim Ring Color)	B=Black, W=White, S=Silver, C=Custom
* (Control Source)	0=0-10V

# WIRING DETAILS:

