

Type:

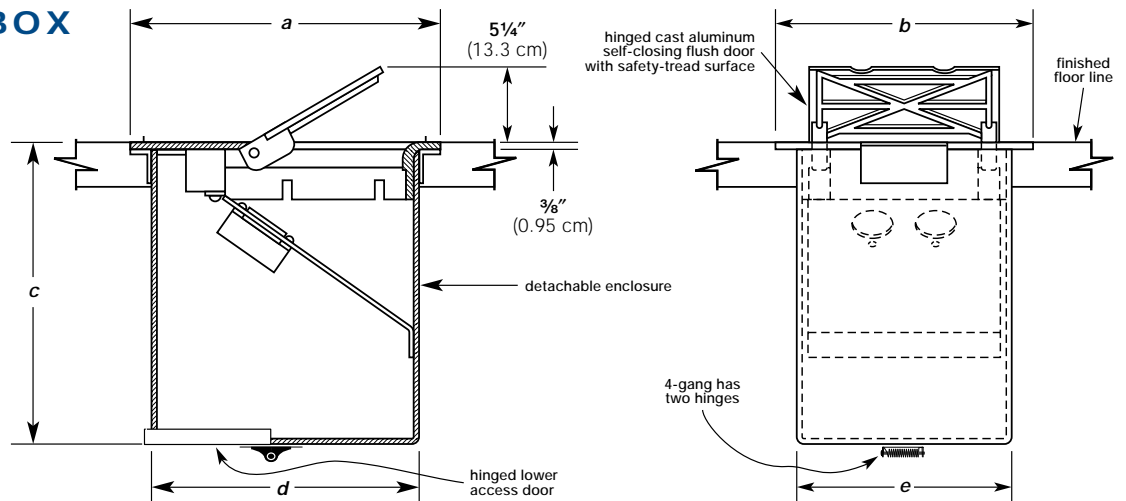
Flush floor boxes, sometimes called floor pockets, are designed to be permanently mounted in the stage floor, flush with the stage surface. These pockets provide safe temporary connection for theatrical luminaires, minimizing cable crossings. When not in use, the hinged cast aluminum cover remains flush with the stage floor, yet lifts easily to insert or remove the cable connector. Floor boxes are available in a multitude of configurations and designs.

Specifications subject to change without notice.

FLUSH FLOOR BOX

Features

- 18-gauge galvanized steel enclosure with multiple knockouts
- Baked black enamel finish
- Rugged cast aluminum hinged cover with finger hole
- Cover provided with non-skid tread pattern and cable notches
- Cover remains flush with floor at all times
- Available with multiple receptacles of various types
- Meets N.E.C. requirements for installation in concrete
- U.L.-listed
- Made in the U.S.A.



catalog number	number of receptacles	a	b	c	d	e
FF-701-1	1	11¼" (28.6 cm)	6½" (16.5 cm)	10¾" (27.3 cm)	9¾" (24.8 cm)	5¼" (13.3 cm)
FF-701-2	2	11¼" (28.6 cm)	9¾" (23.8 cm)	10¾" (27.3 cm)	9¾" (24.8 cm)	8" (20.3 cm)
FF-701-3	3	11¼" (28.6 cm)	12" (30.5 cm)	10¾" (27.3 cm)	9¾" (24.8 cm)	10¾" (27.3 cm)
FF-701-4, -5, -6	4, 5, 6	11¼" (28.6 cm)	14½" (36.8 cm)	10¾" (27.3 cm)	9¾" (24.8 cm)	13¾" (34.9 cm)

ORDERING INFORMATION

Part Number:	model	number of receptacles	connector type
FF-701	-	-	
		1	(GTL) grounded twist-lock
		2	(PBG) parallel blade (Edison)
		3	(GPC) grounded pin (stage plug)
		4	} with grounded pin connectors only
		5	
		6	

