

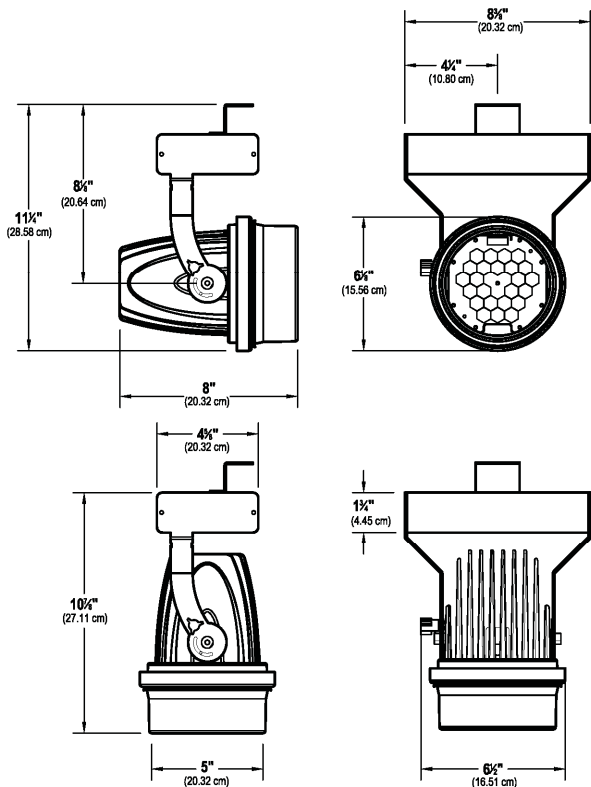
The Spectra Series IQ38 is a 50 Watt PAR Luminaire utilizing high efficiency red, green, blue, and amber LED emitters. Featuring a durable but lightweight extruded and spun aluminum housing the Spectra Series IQ38 is compatible for use on the Smart Track® Lighting System. Designed for theatrical and architectural applications, the Spectra Series IQ38 accepts optional internal 4-11/16" diameter accessories including cylindrical hood, louver, linear and prismatic spread lenses. 4-Way barn doors are also available.

An on board power supply allows for direct power & data connection to the Smart-Track™ Lighting System. The Spectra Series IQ38 50 watt PAR is compatible with both DMX & RDM protocols, and comes complete with a library of pre-programmed single colors and various color mixes. Shows and addressing are accessed via the push button display.



**50 WATT
SSIQ38
Features**

- Available in 4 Standard LED color configurations: *RGBA, RGBW, 3K White, 3K-6K, 4000K and 6000K*
- Convection Cooled.
- Available in pipe mount and Smart Track™ versions.
- Internal accessory holder for up to 3 accessories.
- On-board multi-voltage power supply 100-240VAC.
- Feed through data capabilities using 5-pin XLR connectors.
- Compatible with DMX and RDM protocols.
- User selectable 8 and 16-bit personalities for smooth dimming.
- Push button addressing.
- Pre-programmed modes for fixed colors, timed color changes and strobos.
- 8 lbs.
- ETL & cETL listed.
- Made in the USA



Model	-	LED Array	-	Finish Color
SSIQ38	▾	RGBA	▾	B (Black) ▾

SSIQ38Y for Smart Track mounting

Project:	Approval Date:
Location:	Fixture Type:

Specifications:

Materials: Corrosion resistant materials and hardware

Housing: Die-case aluminum construction

Light Engine: Luxeon Rebel LED's-- 50 Watts Max at full RGBA

Lenses: P95 diffusion lens included

Yoke: Rigid flat steel with locking-dog tilt handel

Rating: Multi-Voltage; 100-240 volt AC operation

Data Ports: DMX and RDM via 2 flush mounted 5-pin XLR receptacles, male and female, or Smart Track™

Power Cable: 6' total length with molded Edison plug (Portable only)

Finish: Black, White or Silver TGIC polyester, electrostatic application. Custom colors available

Weight: Approx. 8 lbs. (7.26 kg)

Accessories:

Model Number	Supplied with the fixture
70-0435	Internal accessory holder for 4-11/16" accessories
MSC	Mini safety cable
Additional Accessories	
IQ38-CH	Cylindrical hood
IQ38-SCH	Sparkle cylindrical hood
IQ38-BD4	4 leaf barn door
IQ38-CF	Color filter holder
IQ38-LV	1/4" hex cell honeycomb louver
IQ38-SL	Prismatic spread lens
IQ38-LSL	Linear spread lens
IQ38-LBS-*	Light blocking screen - *20, 30 or 40%
510-F	Lighty duty flat steel pipe clamp for 1/4" to 1-1/2" pipe
510	Malleable iron pipe clamp 3/4" to 1-1/2" pipe, includes 1/2" bolt
MEGA-CLAMP*	Extruded aluminum clamp for 3/4" to 2" pipe, includes 1/2 bolt, specify black or silver
XLR-5-5	5' DMX 5-pin extension cable
XLR-5-10	10' DMX 5-pin extension cable
XLR-5-25	25' DMX 5-pin extension cable
99-DMX-TERM	5-pin XLR DMX terminator

Photometrics:

RGBA:

Throw Distance (d)	10' 3m	15' 4.6m	20' 6.1m	25' 7.6m
Field Size, (H x V)	3.5' x 3.5' 1.1m x 1.1m	5.3' x 5.3' 1.6m x 1.6m	7.1' x 7.1' 2.1m x 2.1m	8.8' x 8.8' 2.7m x 2.7m
Illuminance (fc)	108	48	27	17
Illuminance (lux)	1,158	515	289	185

3K White

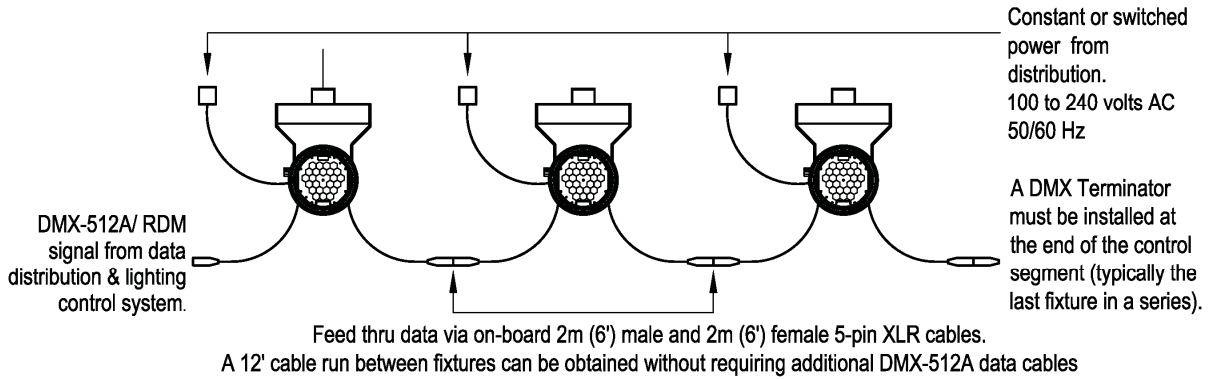
Throw Distance (d)	10' 3m	15' 4.6m	20' 6.1m	25' 7.6m
Field Size, (H x V)	3.5' x 3.5' 1.1m x 1.1m	5.3' x 5.3' 1.6m x 1.6m	7.1' x 7.1' 2.1m x 2.1m	8.8' x 8.8' 2.7m x 2.7m
Illuminance (fc)	138	105	59	38
Illuminance (lux)	1,485	1,126	633	405

*For field diameter at any distance, multiply distance by 0.35

*To determine illumination in footcandles (fc) or lux at any distance (d), divide candlepower (cd) by distance squared (fc = cd/(d²).

*For Lux multiply footcandles (fc) by 10.76

Basic wiring diagram for SSSP*-. Spectra Star PAR (Portable/Theatrical Version)**



Basic wiring diagram for SSSPY*-. Spectra Star PAR (Smart Track™ Version)**

