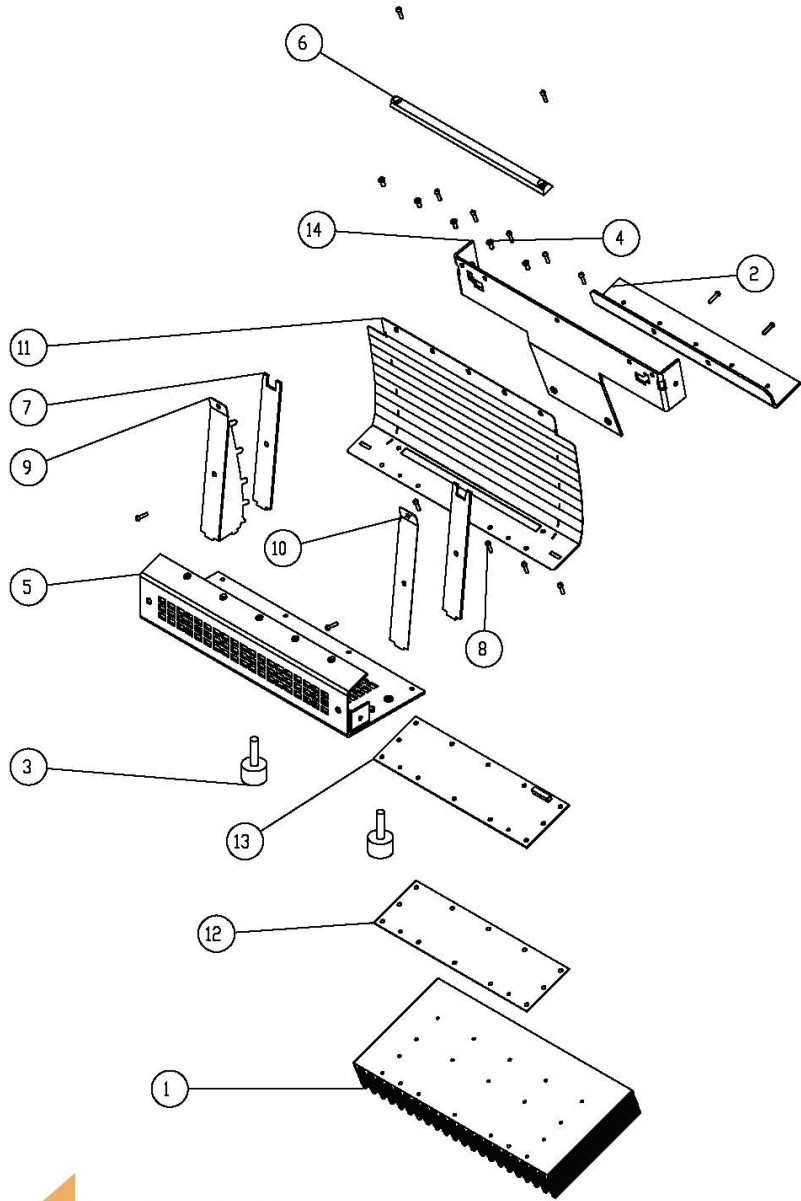


Spectra CYC 100

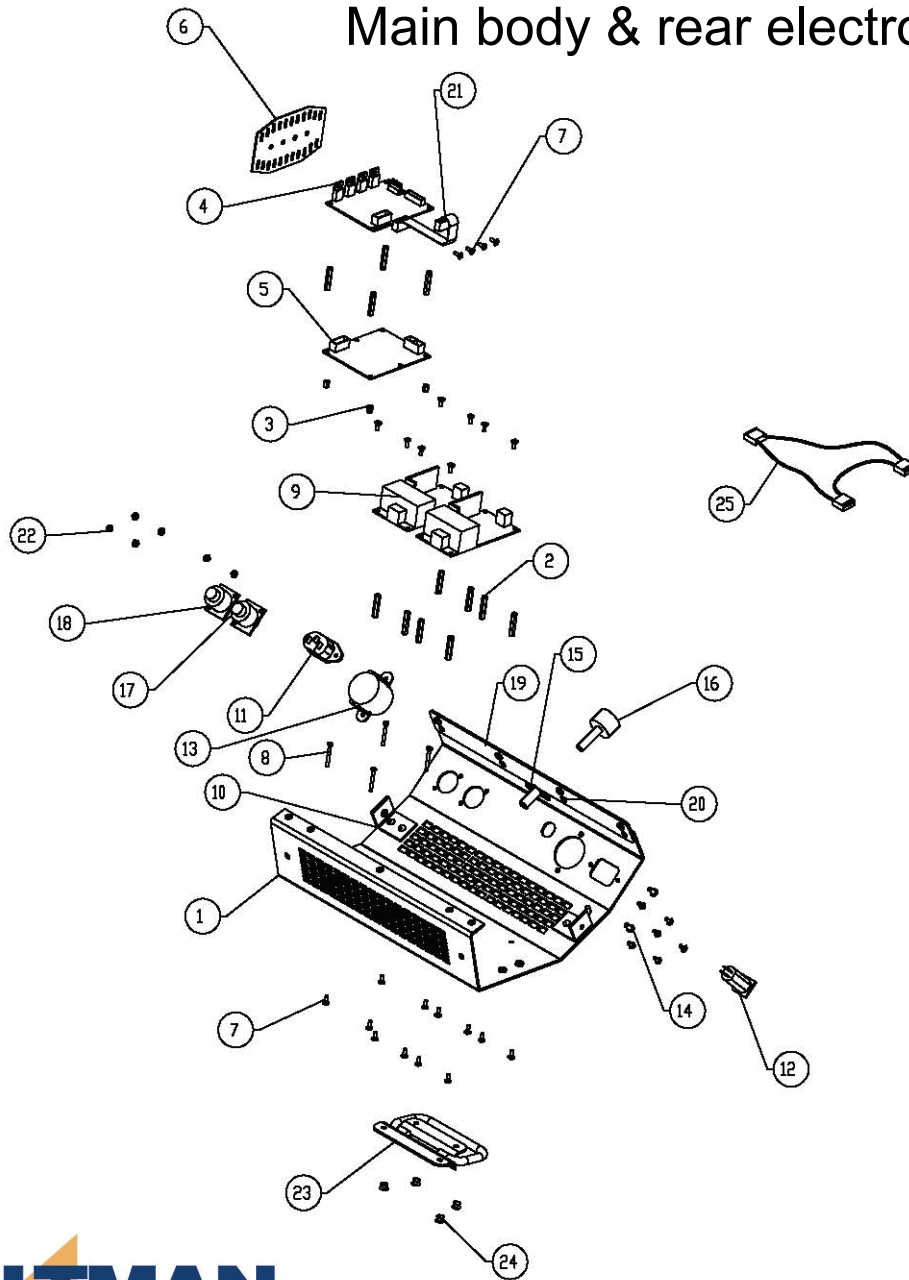
Light engine, heat sink & optics assembly drawing



Item No.	Part #	Description	Qty.
1	10-0215	SS-CYC-100 HEAT SINK EXTRUSION	1
2	20-4987	SS-CYC-100 HEAT SINK SPREADER	1
3	38-0149	RUBBER BUMPER	2
4	FHP0606	6-32x3/8 FLAT HEAD	5
5	20-4989	SS-CYC-100 FRONT SKIN	1
6	14-0580	SS-CYC-100 MIXING LENS	1
7	20-4998	SS-CYC-100 REFLECTOR END STIFFNER	2
8	30-PHP0608	PAN HEAD PHILLIPS 6-32 X 1/2	16
9	20-4985	SS-CYC-100 REFLECTOR RIGHT SIDE	1
10	20-4984	SS-CYC-100 REFLECTOR LEFT SIDE	1
11	20-4983	SS-CYC-100 REFLECTOR MAIN BODY	1
12	30-PHP0608	THERMAL PAD	1
13	61-0455-25	SS-CYC-100 R6BA LINER BOARD W/48 REBELS	1
14	20-4986	SS-CYC-100 REFLECTOR SPREADER	1

Spectra CYC 100

Main body & rear electronics assembly



Item No.	Part #	Description	Qty.
1	20-4994A	SS-CYC BACK SKIN	1
2	26-RAF2061446A0	.187 HEX x 3/4 LONG STANDOFF	12
3	26-RAF2053440A0	.187 x 1/4 LONG STANDOFF	4
4	61-0460-25	LED PROCESSOR BOARD PROGRAMMED	1
5	61-0465	LED DRIVER BOARD	1
6	20-4988-25	SS-CYC MOFFEST HEAT SINK	1
7	30-PHPO406-BZ	4-40 x 3/8 PAN HEAD SCREWS	30
8	30-PHPO412-BZ	4-40 x 3/4 PAN HEAD SCREWS	4
9	50-ZPS60-24	24V POWER SUPPLY	2
10	20-4990-25	TAB AND PEM	1
11	54-5410	WIRE HARNESS A WITH CONNECTORS + MOV	1
12	60-0017	CIRCUIT BREAKER 10A	1
13	52-5258-SS	15A 5-15 RECEPTACLE	1
14	30-PSPO806-SS	6-32 3/8 PAN HEAD SCREW	2
15	31-TN312-25	TEE NUT DRILLED	1
16	38-0149	RUBBER BUMPER	1
17	54-5420	WIRE HARNESS C XLR IN	1
18	54-5420	WIRE HARNESS D XLR OUT	1
19	20-4991-25	SEAM STRIP W/PEMS	1
20	33-SD54BS	SB54BS POP RIVETS	6
21	54-5415	WIRE HARNESS B	1
22	31-HK04	4-40 NUT	6
23	37-0101	SURFACE HANDLE	1
24	33-SD64BS	SD64BS POP RIVET	4
25	54-5415	WIRE HARNESS B	1