

SUMMARY

The Altman StarPAR™ CDM lighting fixture is available as a 39-, 70- or 150-watt multi-purpose luminaire. Five distinct lenses supply light-beam shaping from a very narrow 6° and 70° very wide circle through a wide 18°×41° oval.

The lens retainer rotates for beam orientation, and the lenses may be interchanged without the use of tools.

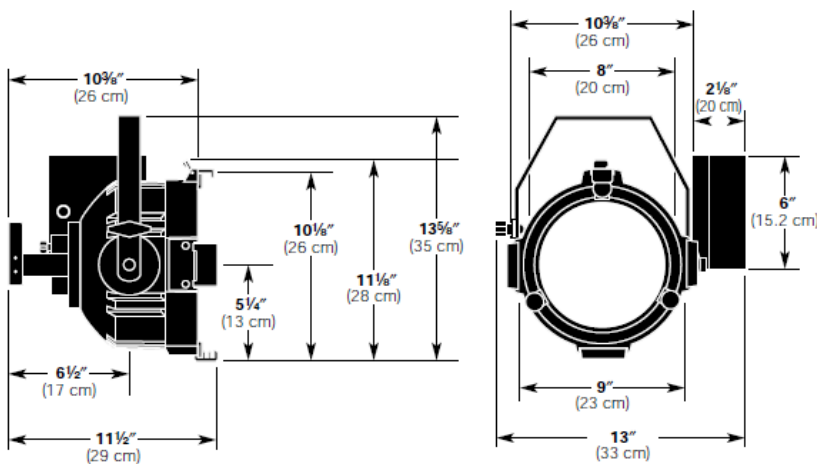
The versatility of these units is increased with a dual-channel removable accessory holder that accepts metal and glass color frames, snoots, and color-changers. For additional security, the accessory holder incorporates a self-closing, self-locking retainer.

Long life and low-heat lamps with exceptionally high color-rendering indices make these units ideally suited for interior illumination, trade show lighting, and product display.



FEATURES

- 12,000 hour CDM lamp with high CRI.
- Five tool-free interchangeable lenses available.
- Fully Rotating Low-friction Hi-Temp lens holder with plastic handles.
- Replaceable two-slot accessory holder provided with self-closing and self-locking accessory retaining latch.
- Yoke supplied with positive locking dog
- Protective insulated rear mounted handle serving as cord wrap, stand, and focusing aid.
- G12 lampholder accepting a wide variety of non-proprietary lamps.
- Low-wattage lamps that drastically reduce power consumption
- Smaller lamp sizes greatly reducing lamp storage space
- Standard 10" accessories accepted
- 36" of three-conductor cable lead
- Color frame and safety cable with spring clip included
- U.L.- and c.U.L.-listed with accepted lamps
- Made in the U.S.A.



SPECIFICATIONS

Materials: Construction employs all corrosion-resistant materials and hardware.

Housing: Die-cast aluminum construction.

Yoke: Rigid flat steel yoke with locking dog handle.

Reflector: High-grade aluminum, chemically polished and coated.

Lenses: Five different beam-shaping lenses available, see performance charts.

Lens Holder: Fully rotatable, provided with three insulated finger tabs. Features tool-free lens changing. 360° beam rotation.

Socket: 39-, 70- or 150-watt UV-blocked G12 ceramic metal halide lamp; 5-kV-pulse rated socket.

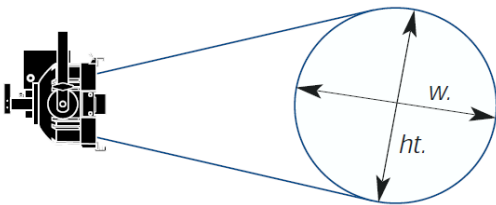
Rating: 110-277VAC 50/60Hz operation
 0.38Amps @ 120V w/ 39W Lamp
 0.58Amps @ 120V w/ 70W Lamp
 1.25Amps @ 120V w/ 150W Lamp

Cable: 36" three-conductor cable lead.

Focusing Fixture: Rear-mounted protective handle.

Finish: Black epoxy sandtex, electrostatic application.

Weight: Approx. 12 lbs. (5.4 kg)



Model	Description
SPC-A-110-*.**	Star PAR CDM
** (Wattage)	Add the following code for Wattage: 39 = 39W, 70 = 70W, 150 = 150W
*** (Body Color)	Add the following code for Body Color: B=Black, W=White, S=Silver, C=Custom

ACCESSORIES

Accessories P/N	Description
SC-36-BK (Included)	36" Black Safety Cable with Spring Clip
8-CF (Included)	Color Frame 10"x10"
97-0150 (Included)	Set of Four Lenses (18-0110, 18-0111, 18-0112, 18-0113)
8-BD-4	4-Way Barn Door
8-SN	Snoot
510-*	Malleable Iron Pipe Clamp
18-0110	Very Narrow Spot Lens
18-0111	Narrow Spot Spread Lens
18-0112	Medium Flood Spread Lens
18-0113	Wide Flood Spread Lens
18-0114	Very Wide Flood Spread Lens

*=Add the following code for Color: B=Black, W=White, S=Silver

Lamp P/N	Lamp Type	Watts	Efficiency	Color Temp	CRI
90-35CDMT6	CDM 35/T6/830	39	>87 L/W	3,400 K	81
90-70CDMT6	CDM 70/T6/830	70	>92 L/W	6,600 K	82
90-70CDMT6	CDM 70/T6/942	70	>92 L/W	6,600 K	92
90-150CDMT6	CDM 150/T6/830	150	>93 L/W	14,000 K	85
90-150CDMT6	CDM 150/T6/942	150	>85 L/W	12,700 K	95
90-150CDMSA	CDM SA150/T6/942	150	>86 L/W	12,900 K	96

PHOTOMETRIC DATA FOR ODC WITH 150-WATT CDM LAMP

lens	candle-power (cd)	beam angle	field angle	efficiency	distance		10'		20'		30'		40'		50'		60'	
					center beam fc (')	ht. w. (')	center beam fc (')	ht. w. (')	center beam fc (')	ht. w. (')	center beam fc (')	ht. w. (')	center beam fc (')	ht. w. (')	center beam fc (')	ht. w. (')		
Very Narrow Spot (VNSP)	359,500	6°× 6°	17°×17°	73%	3,595	3 3	899	6 6	399	9 9	225	12 12	144	15 15	100	18 18		
Narrow Spot (NSP)	256,800	7°× 7°	19°×19°	66%	2,568	4 6	642	7 7	285	10 10	161	13 13	103	17 17	71	20 20		
Medium Flood (MFL)	95,800	10°×21°	25°×33°	77%	958	8 11	240	9 12	106	13 18	60	18 24	38	22 30	27	26 36		
Wide Flood (WFL)	30,400	18°×41°	42°×59°	59%	304	6 11	76	15 23	34	21 34	19	30 45	12	38 57	8	46 68		
Very Wide Flood (VWFL)	10,146	56°×56°	79°×79°	71%	102	11 11	26	21 21	12	32 32	7	43 43	4	54 54	3	64 64		

Conversion Factors: 39-watt lamp, fc×0.24; 70-watt lamp fc×0.48. Lux = fc×0.0929.