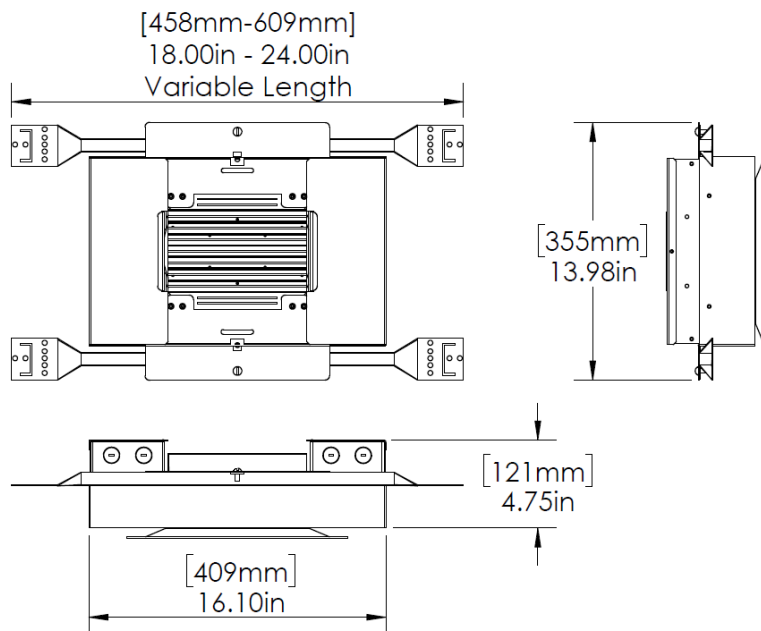
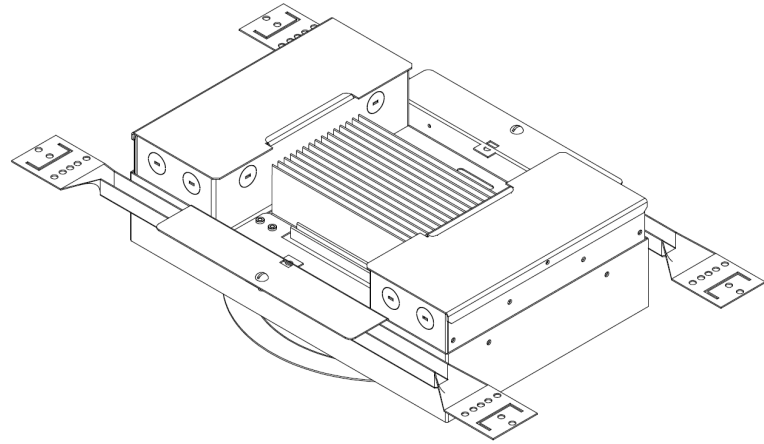


SUMMARY

The 100W Recessed Chalice from Altman Lighting is a LED architectural down light designed for permanent installation and energy savings. Changing lamps in your fixtures has now become a thing of the past.

Integrating the fixture into an existing control system is easy with the simple three-button DMX addressing that is easily accessible from the bottom of the fixture: set it once and enjoy a smoothly integrated and energy efficient illumination solution for your area of choice.

The 100W Recessed Chalice fixture is able to be controlled by your DMX Control console & architectural control system; also available as a mains dimmable fixture for those facilities being built without a DMX control system, or for easy retrofit to a current installation for energy savings.



FEATURES

- 9 interchangeable lenses
- DMX or Mains Dimmable
- Push Button DMX Addressing and RDM compatibility
- DMX Pass through
- Flicker Free mode with 8-bit or 16-bit selectable operation
- Power: 100W LED driver
- Weight: Approx 10 lbs.
- ETL, cETL Listed for Indoor Use
- Proudly made in the USA

SPECIFICATIONS

Materials: Construction employs all corrosion-resistant materials and hardware.

Housing: Corrosion resistant aluminum outer shell with aluminum interior components.

Control: Mains Dimmable and DMX (Fully RDM Compliant w/ 1 DMX in and 1 DMX out)

Light Engine DMX 100W - Available in 3000K, 3000K-6000K Tunable White, 4000K, and 6000K. Also available in RGBA and RGBW. Rated for >50,000 hours of operation.

Light Engine Mains Dimmable 100W - Available in 3000K, 4000K and 6000K. Rated for >50,000 hours of operation.

Input Voltage: 100-240 VAC 50/60hz
0.83A @120VAC
0.42A @ 240VAC

Cooling: Natural Convection

Ambient Temperature: 0 to 40 degrees C (32 to 104 degrees F)

Trim Ring Finish: Black, White, or Silver (Custom colors available)

Weight: 12 Pounds (5.44Kg.)

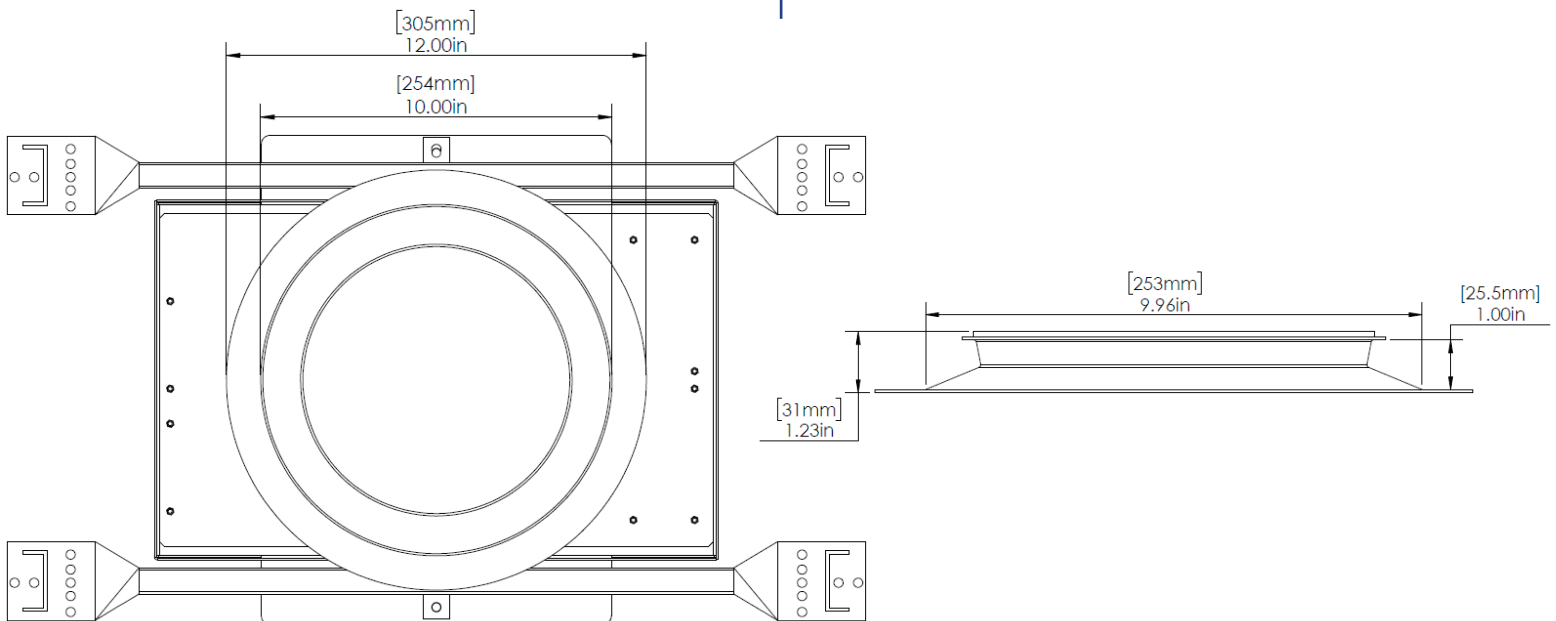
Rating: ETL, cETL

Model	Description
CDR100-*_*_*_***	Chalice 100W Recessed LED Downlight
* (CCT)	Add the following code for Emitter CCT: 2K, 3K, 4K, & 5K, (Nb.2K=2700 Kelvin)
** (Trim Ring Color)	Add the following code for Trim Ring Color: B=Black, W=White, S=Silver, C=Custom
*** (Intensity Control)	Add the following code for Intensity Control: D=DMX, M=Mains dimmable

Note: Mains Dimmable fixtures are only available in a single color or color temperature

ACCESSORIES

Accessories P/N	Description
18-0110	Very Narrow Spot Lens
18-0111	Narrow Flood Spread Lens
18-0112	Medium Flood Spread Lens
18-0113	Wide Flood Spread Lens
18-0114	Extra Wide Flood Spread Lens
SS-8CDL-20	20° Beam Angle Lens
SS-8CDL-30	30° Beam Angle Lens
SS-8CDL-60	60° Beam Angle Lens
SS-8CDL-P95	P95 Diffusion Lens



Ceiling Cut Opening: 10in min. 11.75in max.

Photometrics:

Photometric data taken with all channels at full, and reflects the output of the fixture with each of the lensing systems installed. Comparisons between fixtures should only be made with photometric data that incorporates the lensing system to be used. Photometric data collected using a 3,000°K White LED fixture.

Performance per Lens:

18-0110 - VNSP Lens

Throw Distance (d)	10' 3m	15' 4.6m	20' 6.1m	25' 7.6m
Beam Size, (H x V)	1.9' x 1.9' 0.6m x 0.6m	2.9' x 2.9' 0.9m x 0.9m	3.86' x 3.86' 1.2m x 1.2m	4.8' x 4.8' 1.5m x 1.5m
Illuminance (fc)	639	284	160	102
Illuminance (lux)	6,876	3,056	1,722	1,098

18-0111 - NSP Lens

Throw Distance (d)	10' 3m	15' 4.6m	20' 6.1m	25' 7.6m
Beam Size, (H x V)	2.1' x 2.1' 0.6m x 0.6m	3.2' x 3.2' 1m x 1m	4.3' x 4.3' 1.3m x 1.3m	5.3' x 5.3' 1.6m x 1.6m
Illuminance (fc)	528	235	132	85
Illuminance (lux)	5,681	2,529	1,420	909

18-0112 - MFL Lens

Throw Distance (d)	10' 3m	15' 4.6m	20' 6.1m	25' 7.6m
Beam Size, (H x V)	3.2' x 1.9' 1m x 0.6m	4.8' x 2.9' 1.5m x .89m	6.4' x 3.8' 2m x 1.2m	8' x 4.8' 2.4m x 1.5m
Illuminance (fc)	256	114	64	41
Illuminance (lux)	2,755	1,227	689	441

18-0113 - WFL Lens

Throw Distance (d)	10' 3m	15' 4.6m	20' 6.1m	25' 7.6m
Beam Size, (H x V)	5' x 2.1' 1.5m x .7m	7.5' x 3.2' 2.3m x 1m	10' x 4.2' 3m x 1.3m	12.5' x 5.3' 3.8m x 1.6m
Illuminance (fc)	114	51	29	18
Illuminance (lux)	1,227	549	280	194

18-0114 - XWFL Lens

Throw Dis- tance (d)	10' 3m	15' 4.6m	20' 6.1m	25' 7.6m
Beam Size, (H x V)	9.5' x 9.6' 2.9m x 2.9m	14.3' x 14.3' 4.4m x 4.4m	19' x 19' 5.8m x 5.8m	23.8' x 24' 7.2m x 7.3m
Illuminance (fc)	35	18	11	7
Illuminance (lux)	377	204	118	75

SS-8CDL-20 - 20° Conical Lens

Throw Distance (d)	10' 3m	15' 4.6m	20' 6.1m	25' 7.6m
Beam Size, (H x V)	5.2' x 4.7' 1.6m x 1.4m	7.8' x 7.5' 2.4m x 2.3m	10.4' x 9.4' 3.2m x 2.9m	13' x 11.8' 4m x 3.6m
Illuminance (fc)	95	42	24	15
Illuminance (lux)	1022	452	258	161

SS-8CDL-30 - 30° Conical Lens

Throw Distance (d)	10' 3m	15' 4.6m	20' 6.1m	25' 7.6m
Beam Size, (H x V)	6.5' x 6.5' 2m x 2m	10' x 10' 3m x 3m	23' x 23' 7m x 7m	16' x 16' 5m x 5m
Illuminance (fc)	39	17	10	6
Illuminance (lux)	420	183	108	65

SS-8CDL-60 - 60° Conical Lens

Throw Distance (d)	10' 3m	15' 4.6m	20' 6.1m	25' 7.6m
Beam Size, (H x V)	11.3' x 12' 3.4m x 3.7m	17' x 18' 5.2m x 5.5m	23' x 24' 7m x 7.3m	28' x 30' 8.5m x 9m
Illuminance (fc)	30	13	7.5	5
Illuminance (lux)	323	140	81	54

SS-8CDL-P95 - P95 Deffusion Lens

Throw Distance (d)	10' 3m	15' 4.6m	20' 6.1m	25' 7.6m
Beam Size, (H x V)	3.8' x 3.8' 1.2m x 1.2m	5.7' x 5.7' 1.7m x 1.7m	7.6' x 7.6' 2.3m x 2.3m	9.5' x 9.5' 2.9m x 2.9m
Illuminance (fc)	235	104	59	38
Illuminance (lux)	2529	1119	635	409