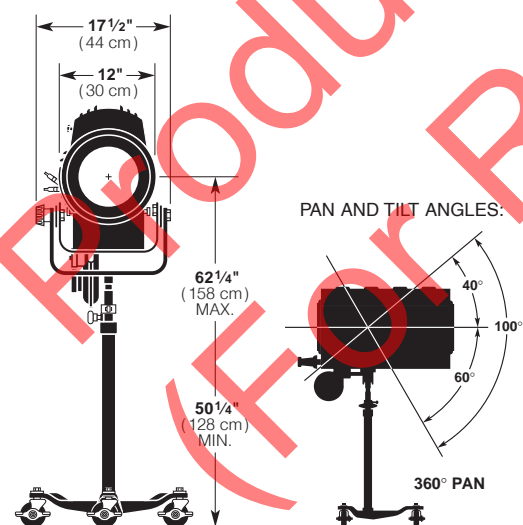
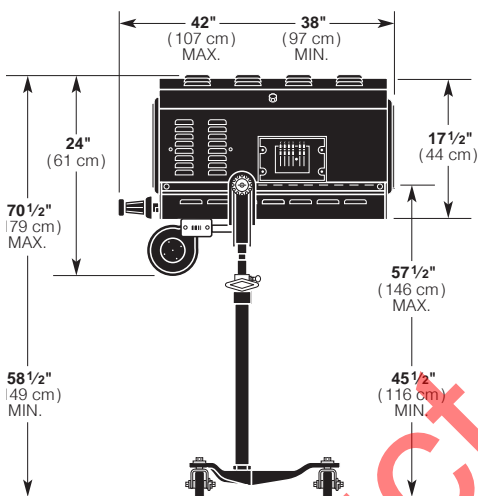


1000Q

A ruggedly constructed medium throw follow spot, the 1000Q produces a narrow, hard or soft edged beam. With easy to use controls mounted at the rear of the luminaire, the beam can be adjusted from spot to flood at any distance. The beam may be further attenuated by using the integral iris for spot size adjustment and the framing shutters for top and bottom edge framing in the flood focus position. The 1000Q is designed for operation only with high performance quartz halogen lamps. The luminaire can be used in any application where manual control of a lighting beam is required to follow a performer and to vary beam size, quality and color.



FOLLOW SPOT LIGHTING

Catalog Numbers  
1000Q



1,000 WATT  
1000Q FOLLOW SPOT

Features

- Sheet steel and die cast aluminum construction
- Rear operated controls
- Integral iris and framing shutter
- Six color boomerang with douser
- Positive locking pan and tilt adjustment
- Adjustable locking castered stand with cable hook included
- Integral 25' power cable
- U.L. and c.U.L. listed for 1000 Watts
- Made in the USA

Ordering Example:

(Select item from each box)

Model

1000Q

Project:	Approval Date:
Location:	Fixture Type:



BRINGING IMAGINATION TO LIGHT

**Specifications:**

**Housing:** Sheet steel and die-cast aluminum construction.

**Materials:** Construction employs all corrosion-resistant materials and hardware.

**Yoke:** 1/8" flat steel with locking dog tilt handle.

**Reflector:** Alzak aluminum, elliptical design.

**Lenses:** All lenses are high purity crown glass (white plate).

**Socket:** Altman G9.5 medium two-pin, axially mounted. Tool free relamping.

**Rating:** Input – 120 VAC, 9.1 amps. (220-240 VAC, 50/60 Hz unit available).

**Power Switch:** 120 VAC, 15 amp toggle snap switch.

**Ignitor:** Asymmetrical ignitor, 30 kV ignition pulse.

**Cable:** 25' 14/3 SOW provided with male edison plug.

**Cooling:** Forced air cooling; one fan with finger guard and one blower.

**Shutters:** 2 leaf, 18 gauge stainless steel, rear operated.

**Lamp:** 1000 watt ANSI Code: FEL.

**Access Door, Top:** Hinged, allows access to lamp and reflector for replacement, to lenses and reflector for cleaning, and to carriage rods for cleaning and lubricating.

**Iris:** 18 leaf, high grade stainless steel, rear operated.

**Color Changer:** 6 frame friction type color boom allows for single or multiple colors to be inserted into beam path. Color changer removable without the use of tools.

**Douser:** Allows for instantaneous blackout and incorporated into color boom.

**Focusing, Fixture:** Front lens carrier travels along zinc plated steel guide rails and is rear operated.

**Stand:** Three legged stand with locking casters is height adjustable with locking casters (12" maximum). Height adjustment lock allows for 360° continuous pan. Cable hook also included.

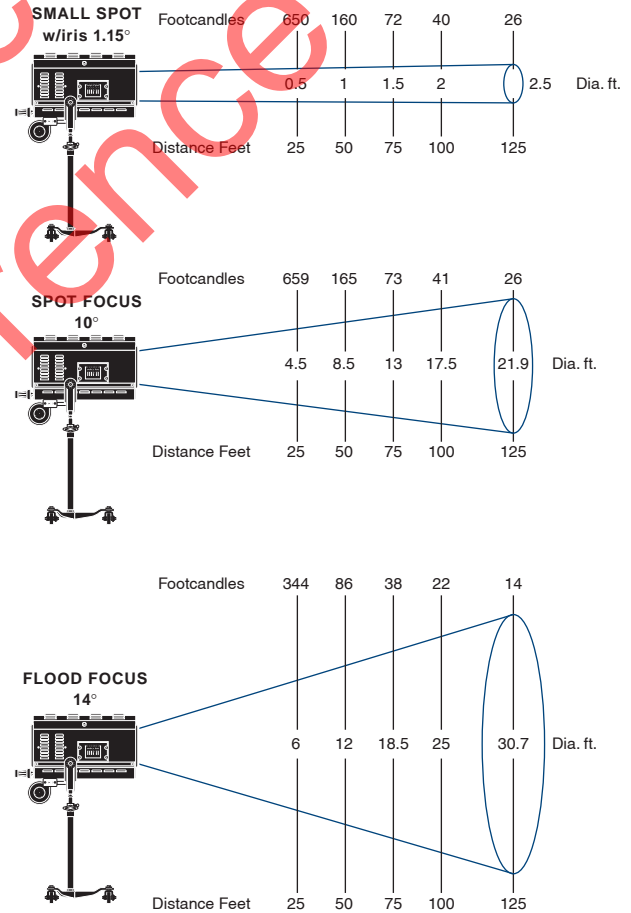
**Finish:** Black epoxy sandtex, electrostatic application.

**Weight:** Approx; 57 lbs. (25.7 kg.) for lamphouse, & Approx; 36 lbs. (16.2 kg.) for stand (support column, base and yoke) Total Net Weight Approx; 93 lbs. (41.9 kg.)

Model #	
1000Q	1000Q Follow Spot

1000Q Performance Chart with FLE Lamp				
Fixture Type	Focus	Candle power (Candela)	Beam Angle (Degrees)	Field Angle (Degrees)
1000Q	Small Spot w/Iris	412,000	1.2°	1.2°
	Spot	412,000	8.5°	10.0°
	Flood	215,000	13.0°	14.0°

Watts	ANSI Code	Lamp Data			
		Manufacturer Lamp Code	Color Temp °	Rated Life (Hours)	Rated Lumens
750	-	HX754	3,200°	300	21,500
1000	FEL	Q10004/CL	3,200°	300	27,500



Photometric Data for FEL Lamp