

ARCHITECTURAL/ THEATRICAL LIGHTING

Catalog Number

Discontinued June 2019

3.5C



Fixture Type:

The 3.5 CDM profile ellipsoidal spotlight produces high intensity sharp or soft edged beam. The classic design of this luminaire gives this small framing projector the character and performance that many architectural applications require. The specially designed and bright finished metal reflector maximizes light output and is specifically designed for use with ceramic discharge metal halide lamps. The instrument accepts an optional pattern holder for metal templates. The 3.5C is available as either 39, 70 or 150 watt models. Wattage designation is determined by the ballast specified. The 3.5C is fixed focus luminaire and is available in 5 different beam options.

Specifications subject to change without notice.

39, 70 or 150 WATT CDM/ CMH

3.5C ELLIPSOIDAL

Features:

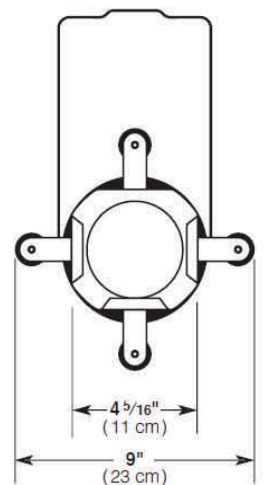
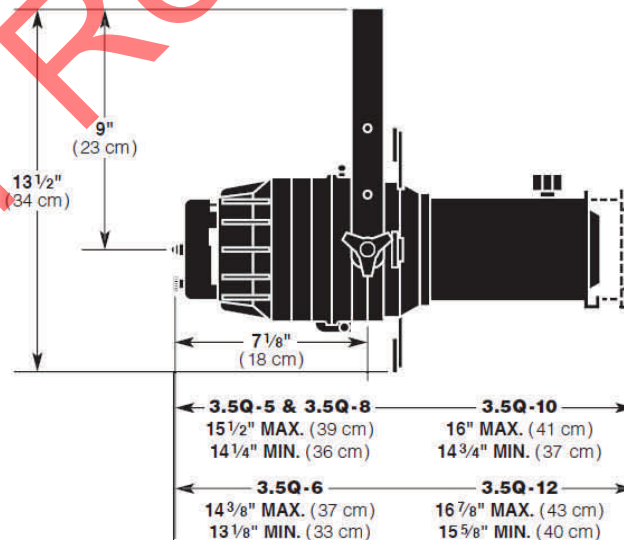
- Compatible w/ Altman Smart Track™
- Portable, Track, Canopy, Stem & Unistrut mount Options available
- Interchangeable Lens Barrels
- For use w/ 39, 70 or 150 watt 12,000 hour CDM/CMH lamps
- Multi voltage electronic ballast
- 4 Easily adjustable framing shutters
- Color frame & safety cable with spring clip included
- Optional Steel Pattern Holder for 2-5/16" diameter templates - PT# 3.5C-PH
- Die-Cast aluminum housing
- ETL & cETL listed for 39, 70 or 150 watts
- Made in the USA

Part Numbers:

- 3.5C-5-**-**** 48 Degree
- 3.5C-6-**-**** 38 Degree
- 3.5C-8-**-**** 28 Degree
- 3.5C-10-**-**** 23 Degree
- 3.5C-12-**-**** 18 Degree

Specify wattage for * 39, 70 or 150 Watt

Specify Color for ** Black, White or Silver



ALTMAN
Lighting, Inc.

BRINGING IMAGINATION TO LIGHT 57 Alexander Street, Yonkers, NY 10701 Tel: 914.476.7987, 212.569.7777; 800.4.ALTMAN Fax:914.963.7304

Visit our website at www.altmanltg.com © 2011 Altman Stage lighting Company, Inc.