

Discontinued June 2019

Catalog
Numbers
IQ20
IQ20C



IQ20 pictured

Fixture Type:

Altman IQseries™ PAR20 lighting units are small, very efficient means of illuminating and highlighting areas and objects with soft edged-pools of light.

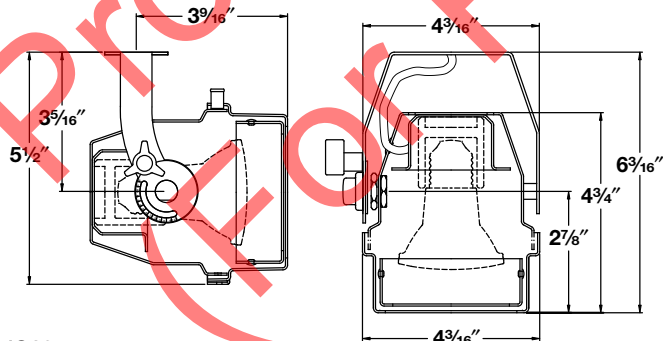
This attractive luminaire utilizes any number of 39-watt ceramic-discharge metal halide PAR20 lamps as well as incandescent PAR20 lamps. The low-heat, ruggedly handsome IQ38 will accentuate the décor and function of any architectural venue.

Specifications subject to change without notice.

**50-WATT
ARCHITECTURAL IQ20
Spot/Floodlight Series**

Features

- Compact rugged spun aluminum and ultra Hi-Temp and ultra lightweight plastic construction
- Medium screw base socket
- Dual swivel positioning system with degree markings
- Internal accessory holder accepts wide variety of options
- U.L. and c.U.L. listed
- Made in the U.S.A.

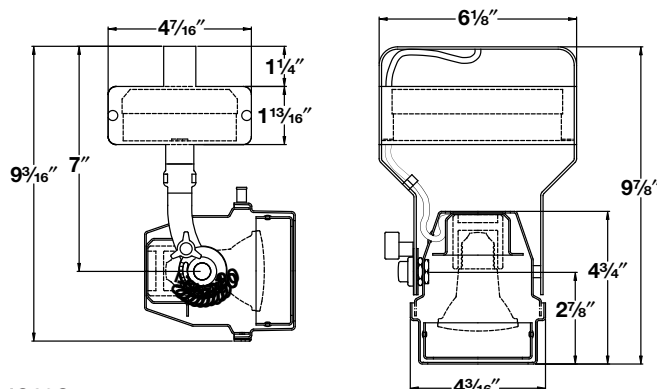


IQ20

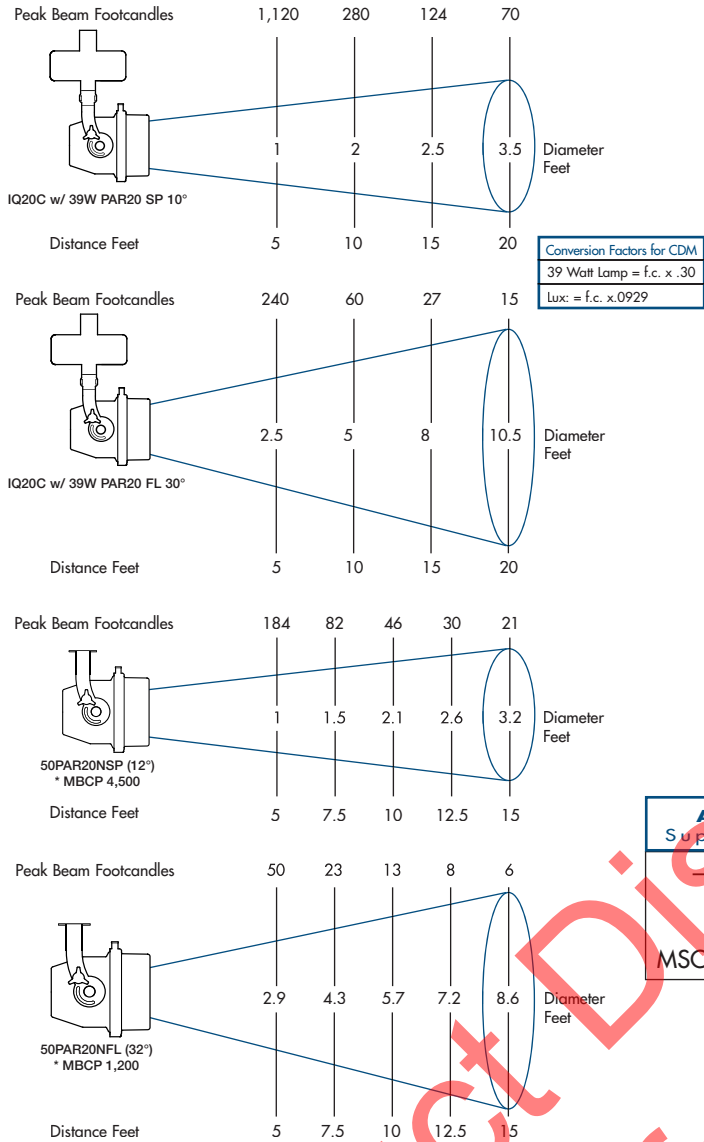
**39-WATT
ARCHITECTURAL IQ20C CDM
Spot/Floodlight Series**

Features

- Utilizes 9,000 hour CDM PAR20 lamp
- Compact rugged spun aluminum and ultra Hi-Temp and ultra lightweight plastic construction
- Low noise, high efficient, Aromat electronic ballast
- Dual swivel positioning system with degree markings
- Track adapter versions available
- Internal accessory adapter
- U.L. and c.U.L. listed
- Made in the U.S.A.



IQ20C



IQ20C Ceramic Metal Halide Version

Part Number:	model	voltage	wattage	color
	IQ20C	-	39	(B)lack
		110		(W)hite
		240		(S)ilver
		277		(X) Custom

IQ20 Incandescent Version

Part Number:	model	color
	IQ20	(B)lack
		(W)hite
		(S)ilver
		(X) Custom

ACCESSORIES Supplied with Luminaire	
—	Accessory Retainer for 3" diameter accessories
MSC	Mini Safety Cable

ADDITIONAL ACCESSORIES	
20-CH 20-SCH 20-BD4 20-CP 20-LV 20-DCF TLA-166* TLA-TEK68* TLA-XTSA66* 54-SVT183-24CC	Cylindrical Hood Sparkle Cylindrical Hood 4 Leaf Barn Door Color Filter Holder Louver Honeycomb Dichroic Color Filter (specify color) Nordic Eco 1 Circuit Nordic Spec Grade 2 Circuit Nordic Spec Grade 3 Circuit Coiled Cord with Edison Connector Factory Installed
510-M 510 —	Baby Pipe Clamp Malleable Iron Pipe Clamp Canopy, Unistrut™, and Stem Mounting options available

Specifications

Housing: Compact rugged sheet metal and spun aluminum.

Materials: Corrosion-resistant materials and hardware.

Yoke: 1" x 3/32" 13 gauge steel yoke.

Socket: 5kv pulse rated medium screw.

IQ20C Only:

Rating: 100–277V operation, 50/60Hz, 0.38 amps with 39W lamp and 39W ballast.

Ballast: Aromat Corp. 39W DCP Electronic Ballasts.
Units carry a full 5 year warranty tested and approved by Aromat.

IQ20 Only:

Rating: 120/240 volts AC/DC operation 2.5/1.3 amps, 250 watts maximum.

Cable: 6 feet of insulated 3-conductor cable with u-ground male Edison plug.

Finish: Black TGIC polyester, electrostatic application. White and silver also available.

Weight: Approx. 2 lbs. (1.4 Kg) for IQ20.
Approx. 5 lbs. (2.3 Kg) for IQ20C.

LAMP DATA FOR IQ20C (Ceramic Metal Halide)

Lamp Type	Watts	Efficiency	Color Temp (°K)	Rated Life (Hours)	Rated Lumens	Color Rendering Index	Burn Position
CDM 35/PAR20/M/SP	39	>69 LPW	3000	9,000	2,000	81	Any
CDM 35/PAR20/M/FL	39	>69 LPW	3000	9,000	2,000	81	Any

LAMP DATA FOR IQ20 (Incandescent)

Lamp Type	Watts	Rated Life (Hours)	Spread (Degrees)	Beam
50PAR20NSP	50	2,000	12°	Narrow Spot
50PAR20NFL	50	2,000	32°	Narrow Flood
50PAR16NSP	50	2,000	18°	Narrow Spot
50PAR16NFL	50	2,000	40°	Narrow Flood

