

Discontinued June 2019

Catalog  
Numbers  
IQ20  
IQ20C



IQ20 pictured

Fixture Type:

Altman IQseries™ PAR20 lighting units are small, very efficient means of illuminating and highlighting areas and objects with soft edged-pools of light.

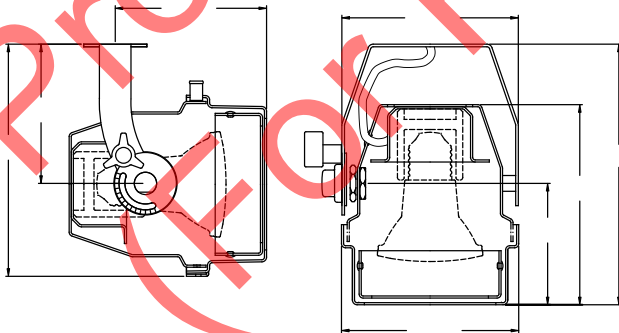
This attractive luminaire utilizes any number of 39-watt ceramic-discharge metal halide PAR20 lamps as well as incandescent PAR20 lamps. The low-heat, ruggedly handsome IQ38 will accentuate the décor and function of any architectural venue.

Specifications subject to change without notice.

50-WATT  
ARCHITECTURAL IQ20  
Spot/Floodlight Series

Features

- Compact rugged spun aluminum and ultra Hi-Temp and ultra lightweight plastic construction
- Medium screw base socket
- Dual swivel positioning system with degree markings
- Internal accessory holder accepts wide variety of options
- U.L. and c.U.L. listed
- Made in the U.S.A.

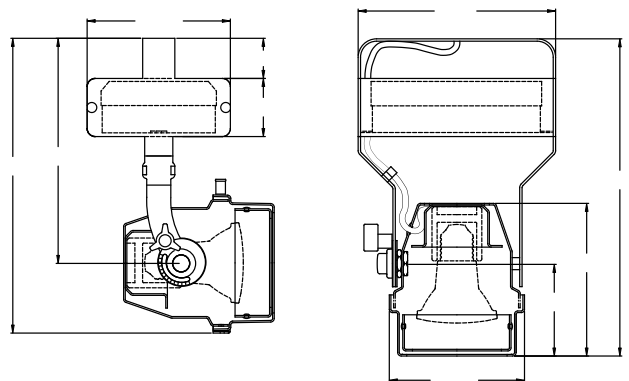


IQ20

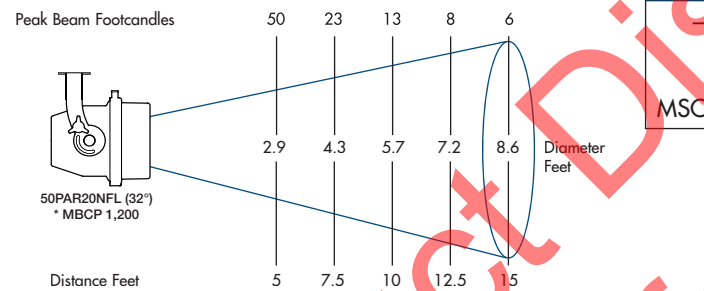
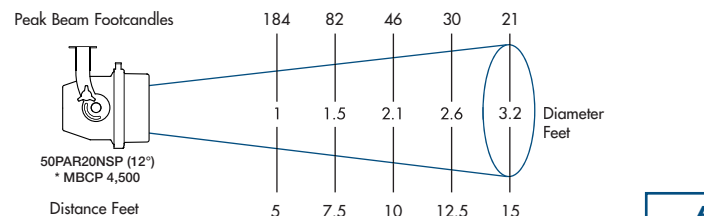
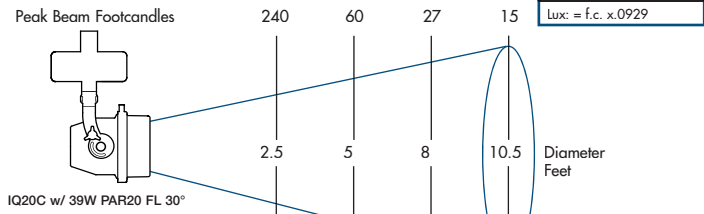
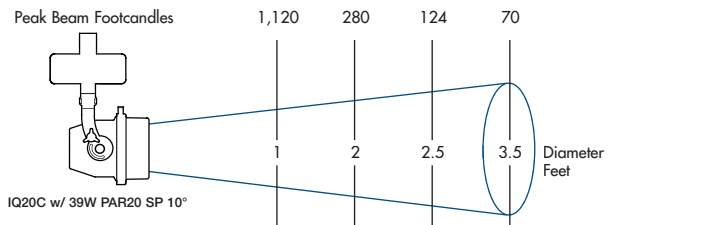
39-WATT  
ARCHITECTURAL IQ20C CDM  
Spot/Floodlight Series

Features

- Utilizes 9,000 hour CDM PAR20 lamp
- Compact rugged spun aluminum and ultra Hi-Temp and ultra lightweight plastic construction
- Low noise, high efficient, Aromat electronic ballast
- Dual swivel positioning system with degree markings
- Track adapter versions available
- Internal accessory adapter
- U.L. and c.U.L. listed
- Made in the U.S.A.



IQ20C



**IQ20C Ceramic Metal Halide Version**

model	voltage	wattage	color
Part Number: <b>IQ20C</b>	-	-	<b>( B )lack</b>
	110		( W )hite
	240		( S )ilver
	277		( X ) Custom

**IQ20 Incandescent Version**

model	color
Part Number: <b>IQ20</b>	<b>( B )lack</b>
	( W )hite
	( S )ilver
	( X ) Custom

**ACCESSORIES**  
Supplied with Luminaire

—	Accessory Retainer for 3" diameter accessories
MSC	Mini Safety Cable

**ADDITIONAL ACCESSORIES**

20-CH	Cylindrical Hood
20-SCH	Sparkle Cylindrical Hood
20-BD4	4 Leaf Barn Door
20-CP	Color Filter Holder
20-LV	Louver Honeycomb
20-DCF	Dichroic Color Filter (specify color)
TLA-166*	Nordic Eco 1 Circuit
TLA-TEK68*	Nordic Spec Grade 2 Circuit
TLA-XTSA66*	Nordic Spec Grade 3 Circuit
54-SVT183-24CC	Coiled Cord with Edison Connector
	Factory Installed
510-M	Baby Pipe Clamp
510	Malleable Iron Pipe Clamp
—	Canopy, Unistrut™, and Stem
	Mounting options available

**Specifications**

**Housing:** Compact rugged sheet metal and spun aluminum.

**Materials:** Corrosion-resistant materials and hardware.

**Yoke:** 1" x 3/32" 13 gauge steel yoke.

**Socket:** 5kv pulse rated medium screw.

**IQ20C Only:**

**Rating:** 100-277V operation, 50/60Hz, 0.38 amps with 39W lamp and 39W ballast.

**Ballast:** Aromat Corp. 39W DCP Electronic Ballasts.

Units carry a full 5 year warranty tested and approved by Aromat.

**IQ20 Only:**

**Rating:** 120/240 volts AC/DC operation 2.5/1.3 amps, 250 watts maximum.

**Cable:** 6 feet of insulated 3-conductor cable with u-ground male Edison plug.

**Finish:** Black TGIC polyester, electrostatic application. White and silver also available.

**Weight:** Approx. 2 lbs. (1.4 Kg) for IQ20.

Approx. 5 lbs. (2.3 Kg) for IQ20C.

**LAMP DATA FOR IQ20C (Ceramic Metal Halide)**

Lamp Type	Watts	Efficiency	Color Temp (°K)	Rated Life (Hours)	Rated Lumens	Color Rendering Index	Burn Position
CDM 35/PAR20/M/SP	39	>69 LPW	3000	9,000	2,000	81	Any
CDM 35/PAR20/M/FL	39	>69 LPW	3000	9,000	2,000	81	Any

**LAMP DATA FOR IQ20 (Incandescent)**

Lamp Type	Watts	Rated Life (Hours)	Spread (Degrees)	Beam
50PAR20NSP	50	2,000	12°	Narrow Spot
50PAR20NFL	50	2,000	32°	Narrow Flood
50PAR16NSP	50	2,000	18°	Narrow Spot
50PAR16NFL	50	2,000	40°	Narrow Flood