

THEMED ARCHITECTURAL LIGHTING

Catalog Number

IQ38*

Discontinued June 2019



Fixture Type:

The IQ38 is a compact, specification grade lighting fixture designed for use with Par38 medium screw base lamps up to 250-watt maximum. This attractive fixture is a very efficient means of illuminating and highlighting areas or objects with soft narrow to wide beam spreads, which is a function of the lamp. The IQ38 comes complete with an internal accessory holder for up to 3 accessories and dual swivel positioning system with degree markings. The low-heat, ruggedly handsome IQ38 will accentuate the décor of any architectural venue.

250 WATT*

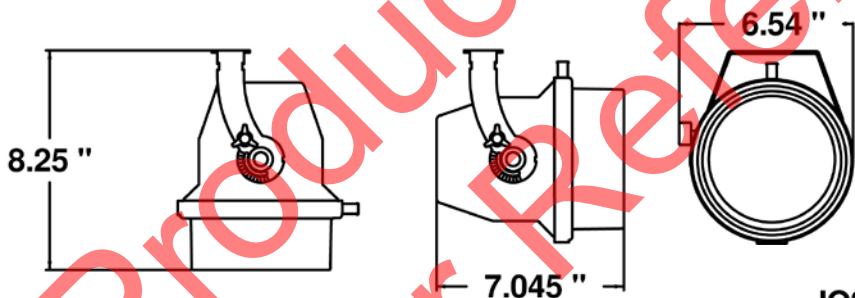
Architectural IQ38

Spot/Floodlight Series

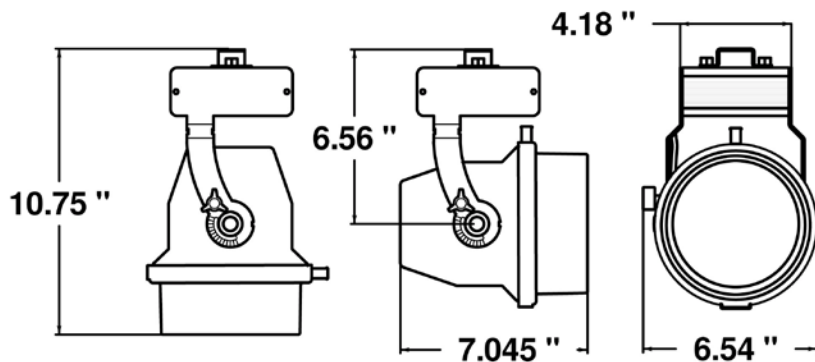
Features:

- Compatible w/ Altman Smart Track™
- Lightweight spun aluminum and laser cut steel
- Tool free re-lamping
- Track, Canopy, Stem and Unistrut options available
- Internal accessory holder and safety cable included
- Degree indicator for tilt angle alignment
- U.L & c.U.L listed for 250 watts
- Made in the USA

IQ38 BASE UNIT



IQ38 WITH SMART TRACK DIMMER



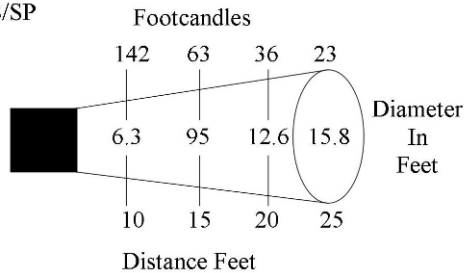
Specifications

Housing: Lightweight spun aluminum.
Materials: Corrosion resistant materials and hardware.
Yoke: 14 gauge laser cut steel.
Rating: 120/240 volts operation 2.5/1.3 amps 250 watts.
Cable: 6' total length with molded Edison plug (unless track or canopy options are specified).
Finish: Black, White or Silver TGIC polyester, electrostatic application. Custom colors available.
Weight: Approx. 5 lbs. (2.3 kg).

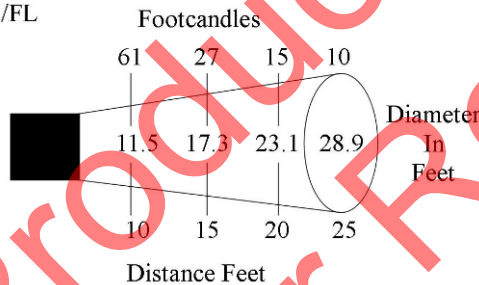
| Part Number: IQ38-*.*** | | |
|-------------------------|---------|---------------------------------------|
| Model | Color * | Additional Factory Installed Option** |
| IQ38 | Black | See Below |
| | White | |
| | Custom | |

| Accessories Supplied with LUMINAIRE | |
|-------------------------------------|---|
| 70-0435 | Internal Accessory Holder for 4- ¹¹ / ₁₆ " Dia. Accessories |
| MSC | Mini Safety Cable |

IQ38*
w/250 KR38/SP



IQ38*
w/250 KR38/FL



**** Additional Factory installed options to follow basic IQ38-Color-* part number**

| | |
|----------------|---|
| -Y | Two Circuit Smart Track adapter installed with Quartz SCR DMX/RDM addressable dimmer for use on Altman 2 Circuit Smart Track System |
| TLA-E166 | Nordic Eco 1 Circuit Track Adapter |
| TLA-TEK100 | Nordic Spec Grade 2 Circuit Track Adapter |
| TLA-GA100UL | Nordic Spec Grade 3 Circuit Track Adapter |
| TLA-L | Lightolier Lytespan® 1 Circuit Track Adapter |
| TLA-H | Halo 1 Circuit Track Adapter |
| 54-SVT183-24CC | Coiled Cord with Edison Connector - 24" retracted, 6 foot extended factory Installed |
| Canopy | 5" Diameter Canopy with universal mounting bracket |
| Unistrut™ | Unistrut™ bracket installed – spring nuts by others |
| Stem | Custom stem to canopy mount available – Max length 6' |
| IQ38-KR-* | Kicker Reflector/Wall Wash accessory |

Additional Accessories

| | |
|-----------------|--|
| IQ38-CH | Cylindrical Hood |
| IQ38-SCH | Sparkle Cylindrical HOOD |
| IQ38-BD4 | 4 Leaf Barn Door |
| IQ38-CF | Color Filter Holder |
| IQ38-LV | ¼" Honeycomb Louver |
| IQ38-SL | Prismatic Spread Lens |
| IQ38-LSL | Linear Spread Lens |
| IQ38-DCF * | Dichroic Glass Filter *Specify Color |
| IQ38-SGF * | Slit Glass Filter *Specify Color |
| IQ38-LBS - * | IQ38 Light Blocking Screen -*20, 30 or 40 % |
| 510-F | Light Duty Flat Steel Pipe Clamp: for ¼" to 1-1/2" Pipe, includes 5/16" Bolt |
| 510 | Malleable Iron Pipe Clamp: ¾" to 1-1/2" Pipe, includes ½" Bolt |
| MEGA-CLAMP - * | Extruded Aluminum Clamp for ¾" to 2" Pipe, includes ½" Bolt *Specify Black or Silver |
| MINI-CLAMP - * | Extruded Aluminum Clamp for ½" to 1-1/2" Pipe, includes 3/8" Bolt *Specify Black or Silver |
| MICRO-CLAMP - * | Extruded Aluminum Clamp for 3/8" to 1" Pipe, includes 5/16" Bolt *Specify Black or Silver |

Lamp Data for IQ38

| Manufacturer Lamp Code | Watts | Candlepower (Candela) | Color Temp (°K) | Rated Life (Hours) | Field Angle (Degrees°) |
|------------------------|-------|-----------------------|-----------------|--------------------|------------------------|
| 120PAR/CAP/FL30° | 120 | 4,600 | 2950 | 3,000 | 30° |
| 120PAR/CAP/SP9° | 120 | 22,500 | 2950 | 3,000 | 9° |
| 250KR38/FL | 250 | 6,100 | 2850 | 4,000 | 60° |
| 250KR38/SP | 250 | 14,200 | 2850 | 4,000 | 35° |
| Q250PAR38/FL | 250 | 6,500 | 2900 | 6,000 | 60° |
| Q250PAR38/SP | 250 | 28,000 | 2900 | 6,000 | 24° |