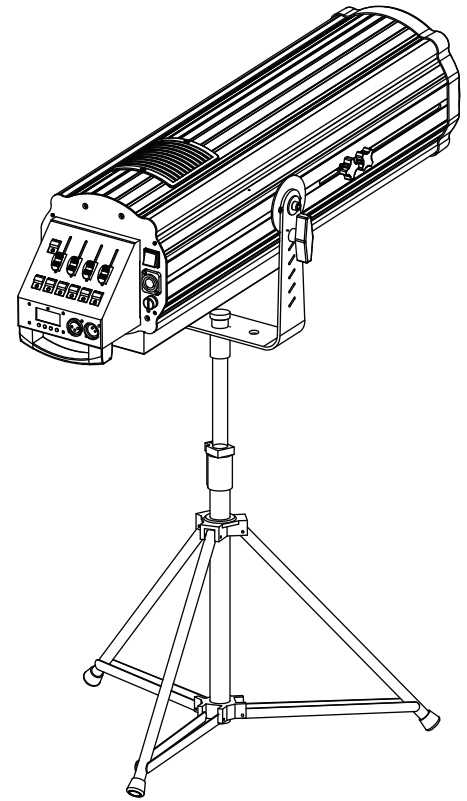


AFS-500 LED FOLLOW SPOT

490 Watt, White LED

The AFS-500 LED follow spot is a lightweight, 490 Watt white LED manual follow spot that is packed with a powerful feature set at an affordable price. This manually operated, compact luminaire weighs under 26 pounds (11.5 kg.) and is a purpose built multi-performance LED follow spot. The AFS-500 LED follow spot follows the traditions of Altman Lighting while introducing several new key features to this performance luminaire.

The AFS-500 LED follow spot's compact, extruded aluminum design allows for discrete luminaire placement while offering powerful light output at distances over 150 feet (45 meters). Offering a locally controlled precision zoom and lens focus system that delivers a 7° to 13° beam spread. Each AFS-500 LED follow spot includes a on-board controller, allowing for simple button press color control and fade pot control of intensity, strobe, color correction (CTO), and iris. Each of these features can be controlled from either the AFS-500 controller or via DMX. Add the additional front-end accessory holder to house a number of after-market accessories such as an external color boomerang, top hat, or concentric rings for added beam shaping or color functionality.



AFS-500 LED Follow Spot & Tripod

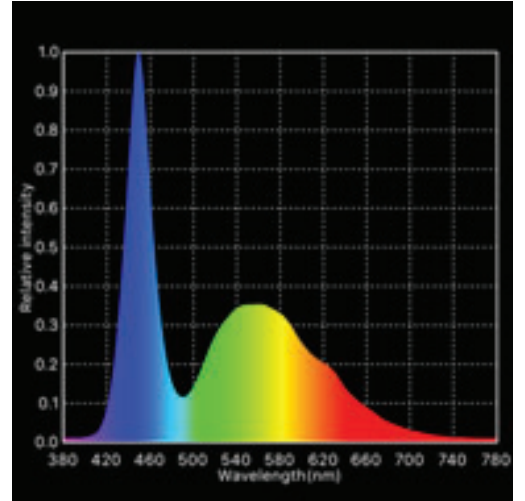
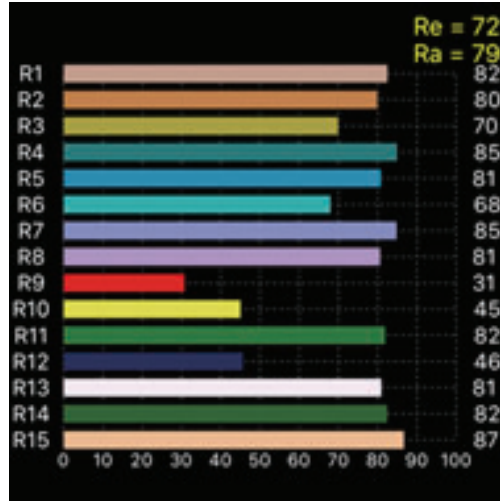
Product Features:

- 11808K native white LED engine
- 7° to 13° manual precision zoom system
- DMX or locally controlled:
 - Intensity (dimming)
 - Touch button color selection
 - Half tone (split) color selection
 - CTO Wheel offering 7500K, 6000K, and 4200K
 - Iris
 - Strobe
 - LED on / off
- 18-facet motorized iris
- 100 to 240 VAC 50/60Hz operation with PowerCON input only
- DMX 5-pin input and output/through
- Compatible with DMX 512 protocols (*note, the AFS-500 is not an RDM-enabled luminaire*)
- Local luminaire operation (*no DMX needed*)
- On-board, simple-to-use user control interface
- Includes folding tripod stand - Black
- Luminaire comes in black finish
- Compact, lightweight design Fixture: 25.5 lbs (11.5 kg) / Tripod: 12 lbs (5.5 kg)
- Comes with Altman Lighting three year limited warranty
- cETLus listed and CE marked for indoor use

Photometric Performance

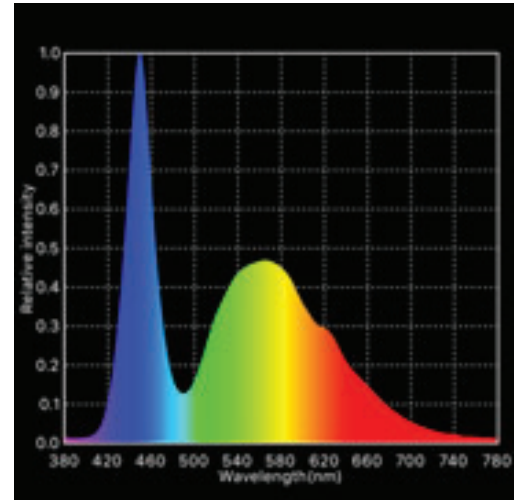
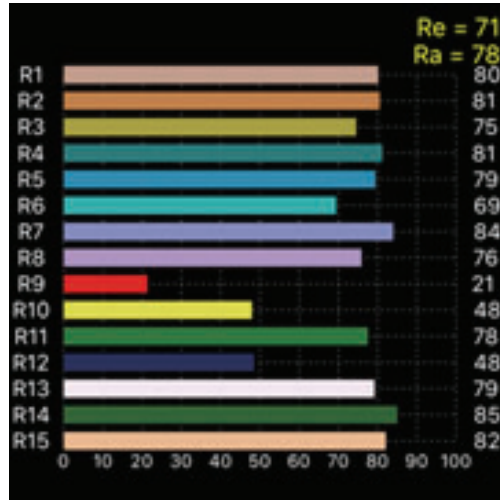
**AFS-500 LED FOLLOW SPOT
PHOTOMETRIC SCORE CARD -
NATIVE OUTPUT**

CCT	11808K
DUV	-0.0118
CRI (Ra)	79
CQS	69
TLCI (Qa)	46.5
TM-30-15 rf	69
TM-30-15 rg	96



**AFS-500 LED FOLLOW SPOT
PHOTOMETRIC SCORE CARD -
CTO WHEEL POSITION 1**

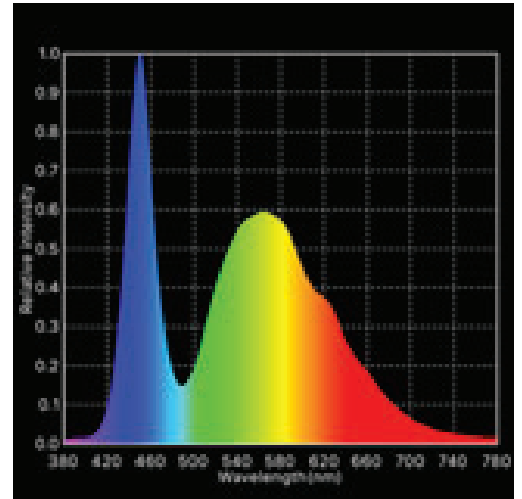
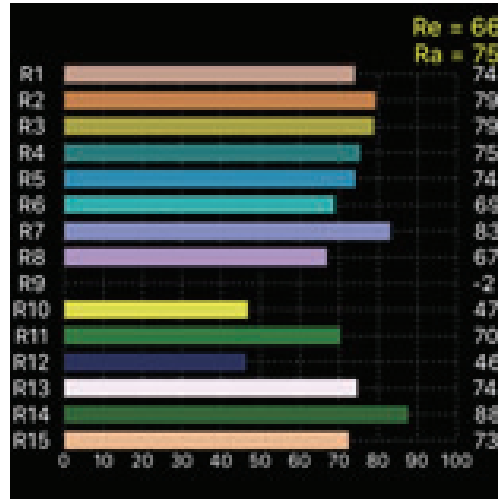
CCT	7415K
DUV	-0.0104
CRI (Ra)	78
CQS	69
TLCI (Qa)	48.6
TM-30-15 rf	70
TM-30-15 rg	96



Photometric Performance

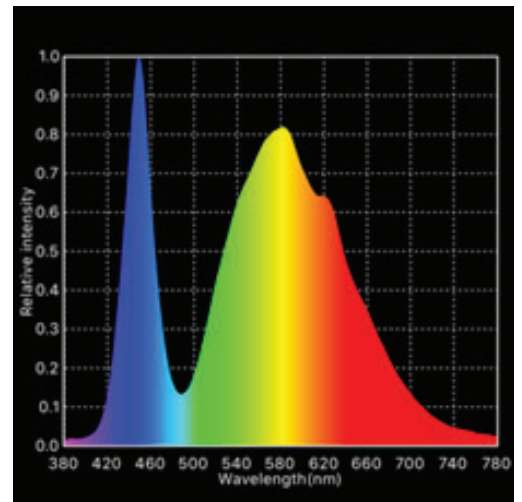
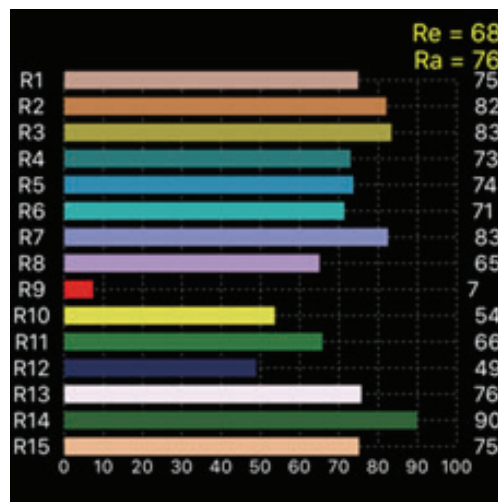
**AFS-500 LED FOLLOW SPOT
PHOTOMETRIC SCORE CARD -
CTO WHEEL POSITION 2**

CCT	6040K
DUV	-0.0038
CRI (Ra)	75
CQS	69
TLCI (Qa)	48.6
TM-30-15 rf	70
TM-30-15 rg	95



**AFS-500 LED FOLLOW SPOT
PHOTOMETRIC SCORE CARD -
CTO WHEEL POSITION 3**

CCT	4234K
DUV	-0.0115
CRI (Ra)	76
CQS	69
TLCI (Qa)	45.4
TM-30-15 rf	69
TM-30-15 rg	97



Photometric Performance

AFS-500 LED Follow Spot at 7° (sharp focus)
Delivered beam lumens: 10,820

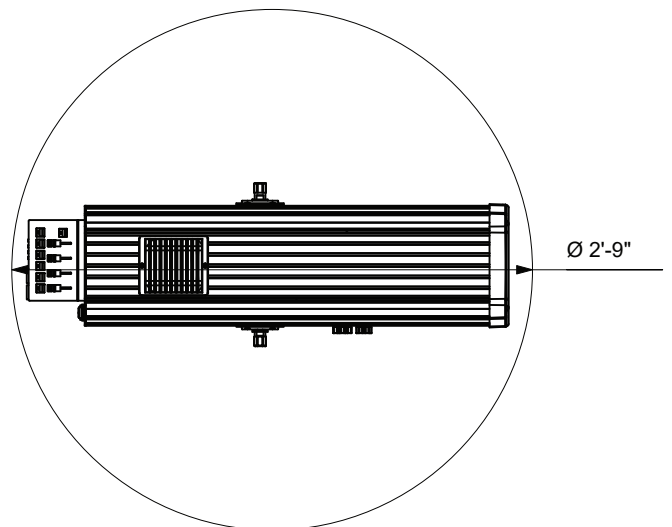
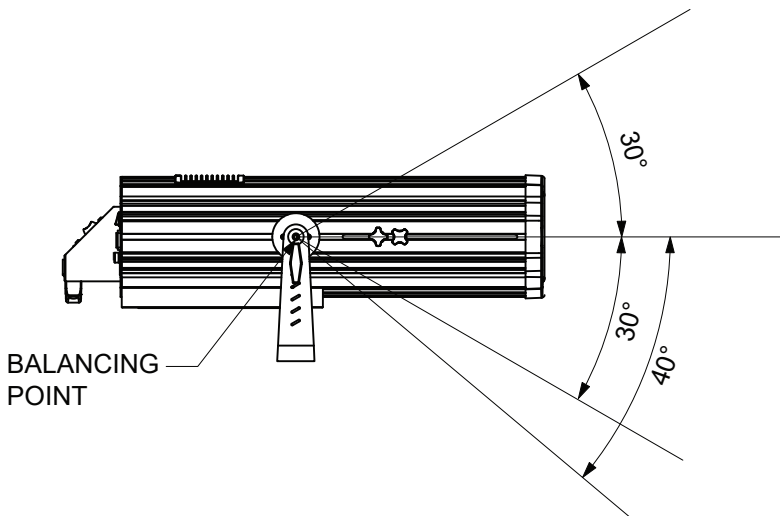
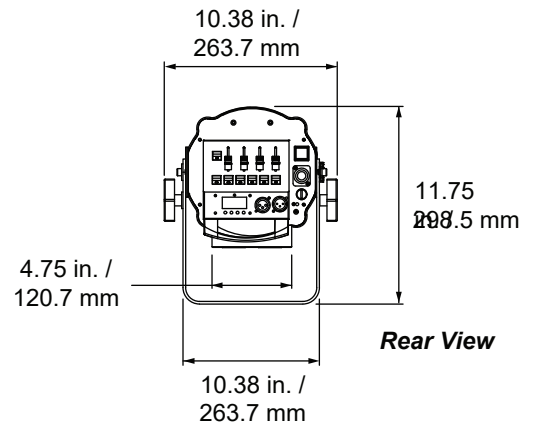
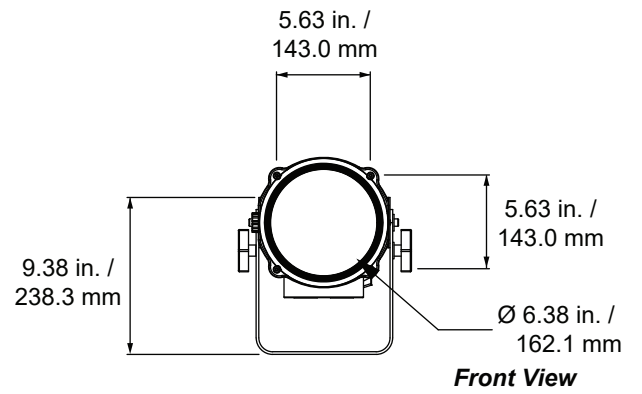
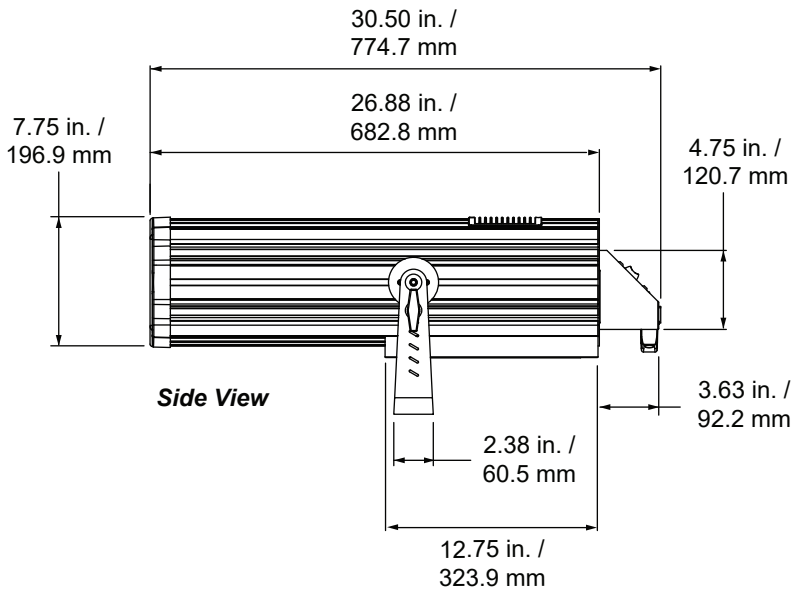
Throw Distance	40' (12.19m)	50' (15.24m)	75' (22.86m)	100' (30.48m)	125' (38.1m)	150' (45.72m)	175' (53.34m)
Field Diameter (feet)	4.19	6.6	9.83	13.11	16.39	19.66	22.94
Field Diameter (meters)	1.28	2.01	3.00	4.00	5.00	5.99	6.99
Illuminance (FC)	596.0	381.0	169.3	95.3	61.0	42.3	31.1
Illuminance (LUX)	6415.3	4101.0	1822.7	1025.3	656.2	455.7	334.8

AFS-500 LED Follow Spot at 13° (sharp focus)
Delivered beam lumens: 9,001

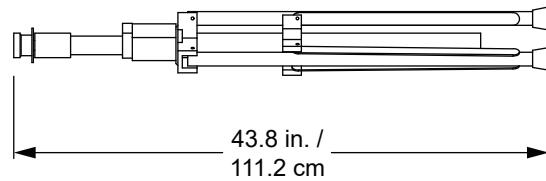
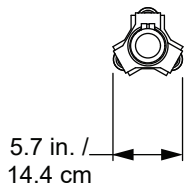
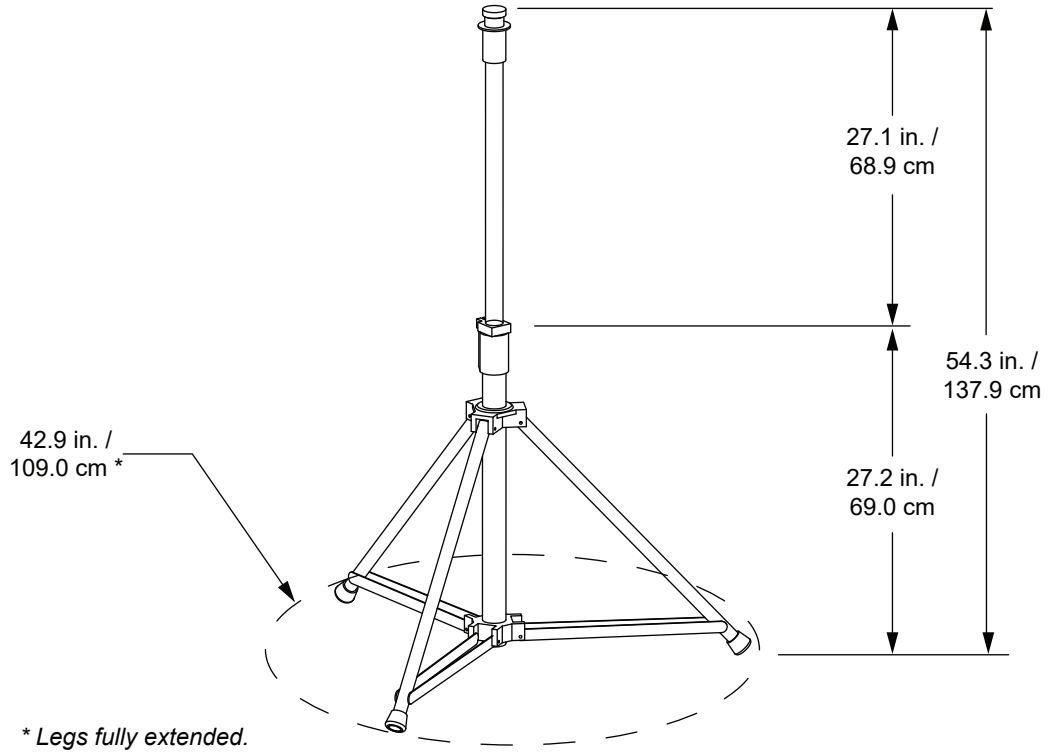
Throw Distance	40' (12.19m)	50' (15.24m)	75' (22.86m)	100' (30.48m)	125' (38.1m)	150' (45.72m)	175' (53.34m)
Field Diameter (feet)	9.11	10.6	15.77	21.02	26.28	31.53	36.79
Field Diameter (meters)	2.78	3.23	4.81	6.41	8.01	9.61	11.21
Illuminance (FC)	207.8	133.0	59.1	33.3	21.3	14.8	10.9
Illuminance (LUX)	2236.9	1431.6	636.3	357.9	229.1	159.1	116.9

Note: Photometrics data on this page taken with 11808K native white LED output (no CTO or color).

Product Dimensions (Luminaire)



Product Dimensions (Tripod)



Specifications

Housing:	Extruded and die-cast aluminum construction.
Materials:	Construction employs all corrosion-resistant materials and hardware.
Light Engine:	490 Watt Cool White Array (11808K)
Beam Lumens:	Refer to photometric performance pages
Beam Angle:	7° to 13°
LED Rated Life:	LED arrays are rated for > 50,000 hours of operation
Input Voltage:	100 to 240 VAC, 50/60 Hz
Current Draw:	4.08 A at 120VAC / 2.13A at 230VAC
Fuse:	T5A, 250V
Quiescent Load:	Fans on, Lamp off - 0.39A at 120VAC (46.8 Watts)
Environment:	0 to 45 degrees C (32 to 113 degrees F) with humidity of 5%-95% (non-condensing)
Weight:	Fixture only: 25.5 lbs (11.5 kg) Tripod only: 12 lbs (5.5 kg)
Fixture Color:	Black
Tripod Color:	Black
Compliance:	cETLus listed and CE marked for indoor use
Control:	DMX-512A network or local control via AFS-500 Control Panel (not RDM enabled)
Connectors:	Two 5-pin DMX connectors (one input, one output / through)
DMX Channels:	6
Strobe Rates:	1 to 20 Hz
Stand:	Folding, three-legged, height adjustable. Height-adjustment lock allows for 360° continuous pan.
Accessories:	Accepts standard 7.5-inch accessories in the optional front end accessory holder part number AFS-ACCCFF. Accessories and accessory holder sold separately..

Ordering Information

AFS-500-B, AFS-500 LED Follow Spot, Black*

*Fixture with AFS-500 control panel and tripod stand (AFS-TP). AC power input cable sold separately.

Optional Accessories

PCL-BARE-12-25	PowerCON (blue) to bare end, 25-foot (7.62 m) 20A power input cable
PCL-PBG-12-25	PowerCON (blue) to Edison Male, 25-foot (7.62 m) 20A power input cable
PCL-BARE-12-5	PowerCON (blue) to bare end, 5-foot (1.5 m) 20A power input cable
PCL-2P&G-12-5	PowerCON (blue) to Stage Pin Male, 5-foot (1.5 m) 20A power input cable
PCL-PBG-12-5	PowerCON (blue) to Edison Male, 5-foot (1.5 m) 20A power input cable
PCL-TLG-12-5	PowerCON (blue) to L5-20P Twist Lock Male, 5-foot (1.5 m) 20A power input cable
AFS-ACCCFF	Altman Follow Spot Accessory Face Frame, 7.5 in. x 7.5 in. color filter front end accessory slot (fits AFS-700 or AFS-500 follow spots)
AFS-ECB	Altman Follow Spot Accessory, external color boomerang (up to 6 colors - requires AFS-ACCCFF)
AFS-TP	AFS-700 Tripod Stand