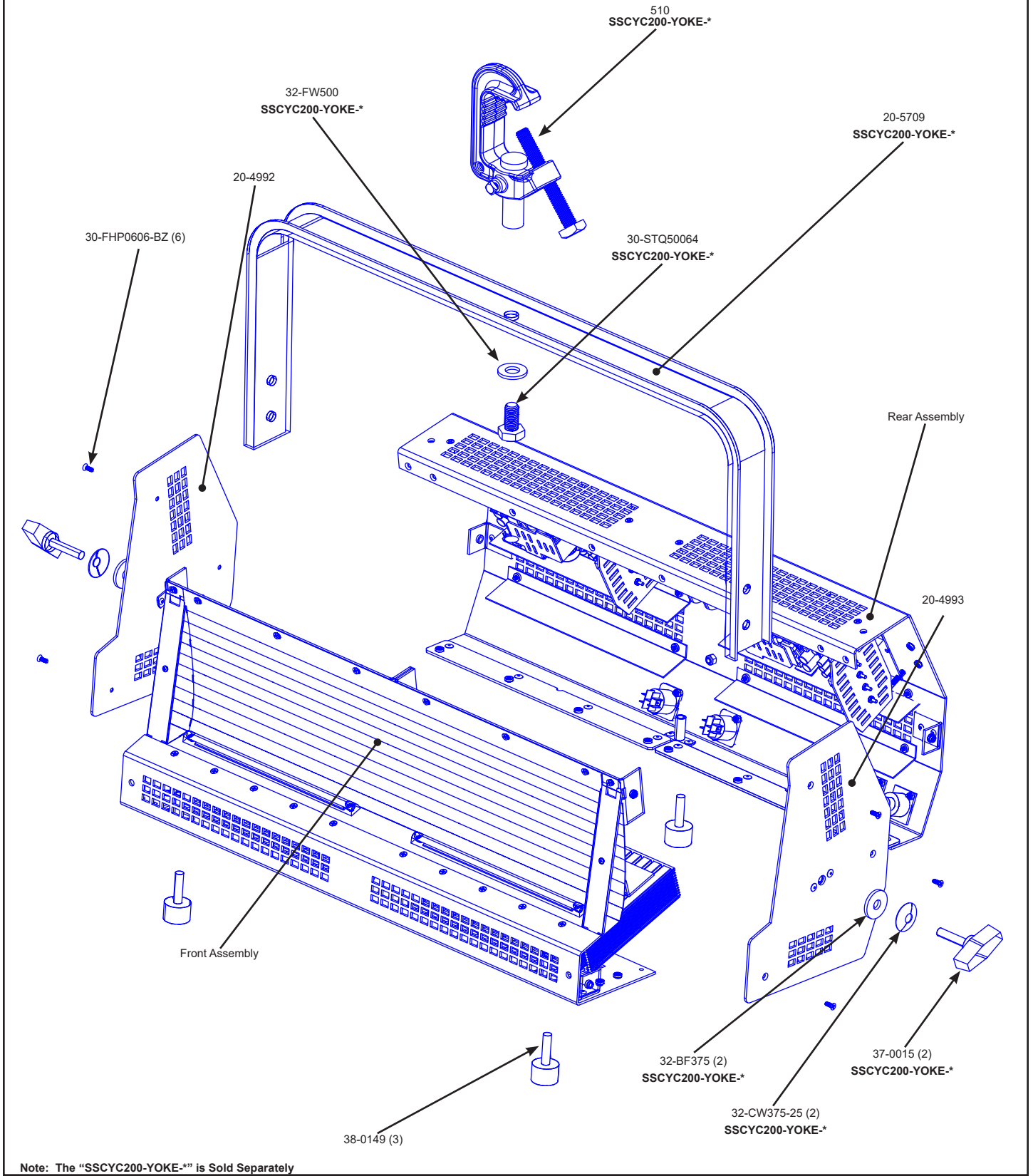


Spectra CYC 200 Main Assembly

Color Code ● = Object ● = MFG, Number Not For Sale ● = Obsolete ● = Part Number/ Note **BOLD** = Sub Assembly

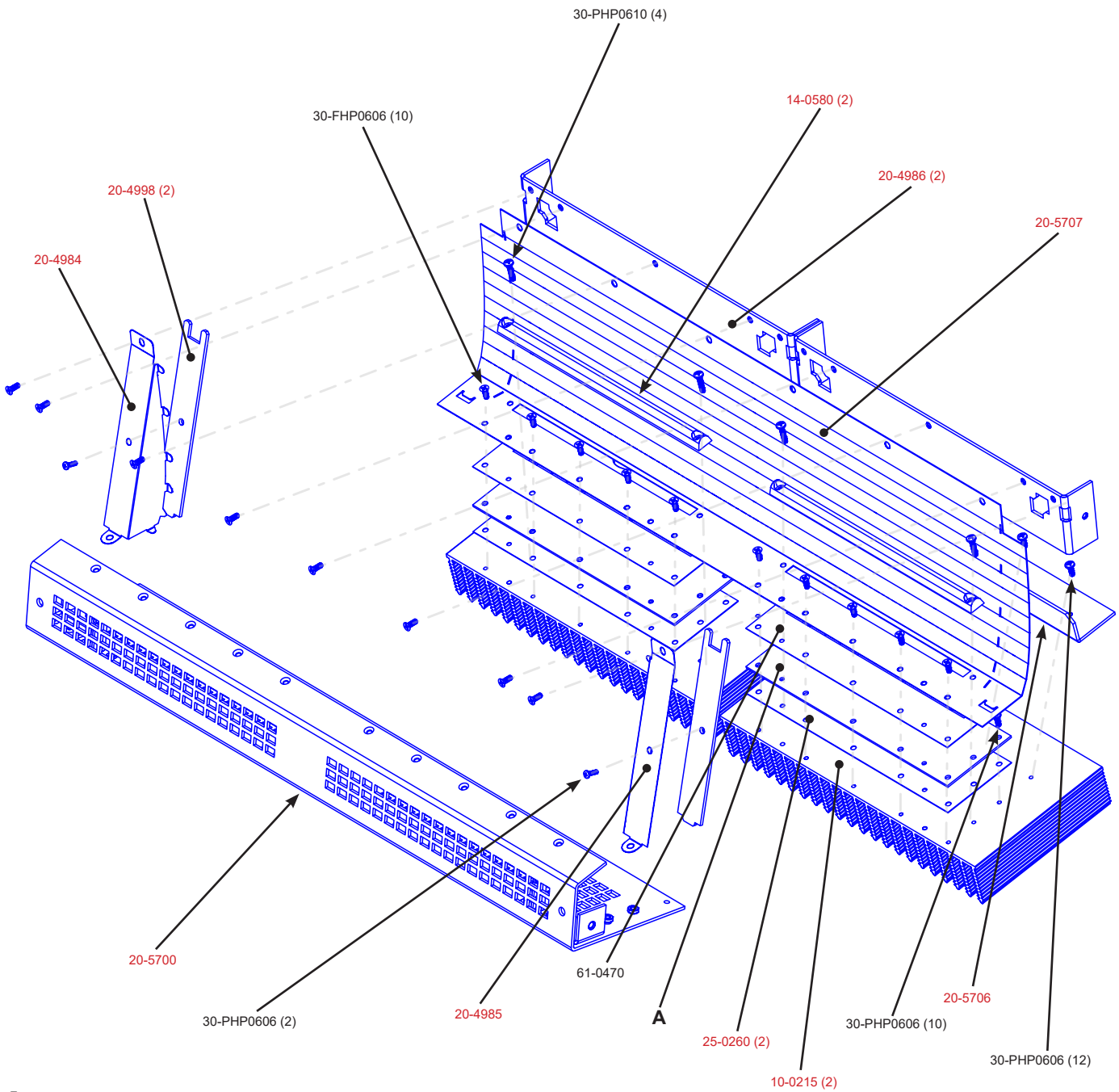


ALTMAN

Altman Lighting Co Inc.
 57 Alexander ST, Yonkers NY, 10701
 Ph: (914) 476-7987 Fax (914) 963-7304
<https://www.altmanlighting.com>

Spectra CYC 200 Front Assembly

Color Code ● = Object ● = MFG, Number Not For Sale ● = Obsolete ● = Part Number/ Note **BOLD** = Sub Assembly



A

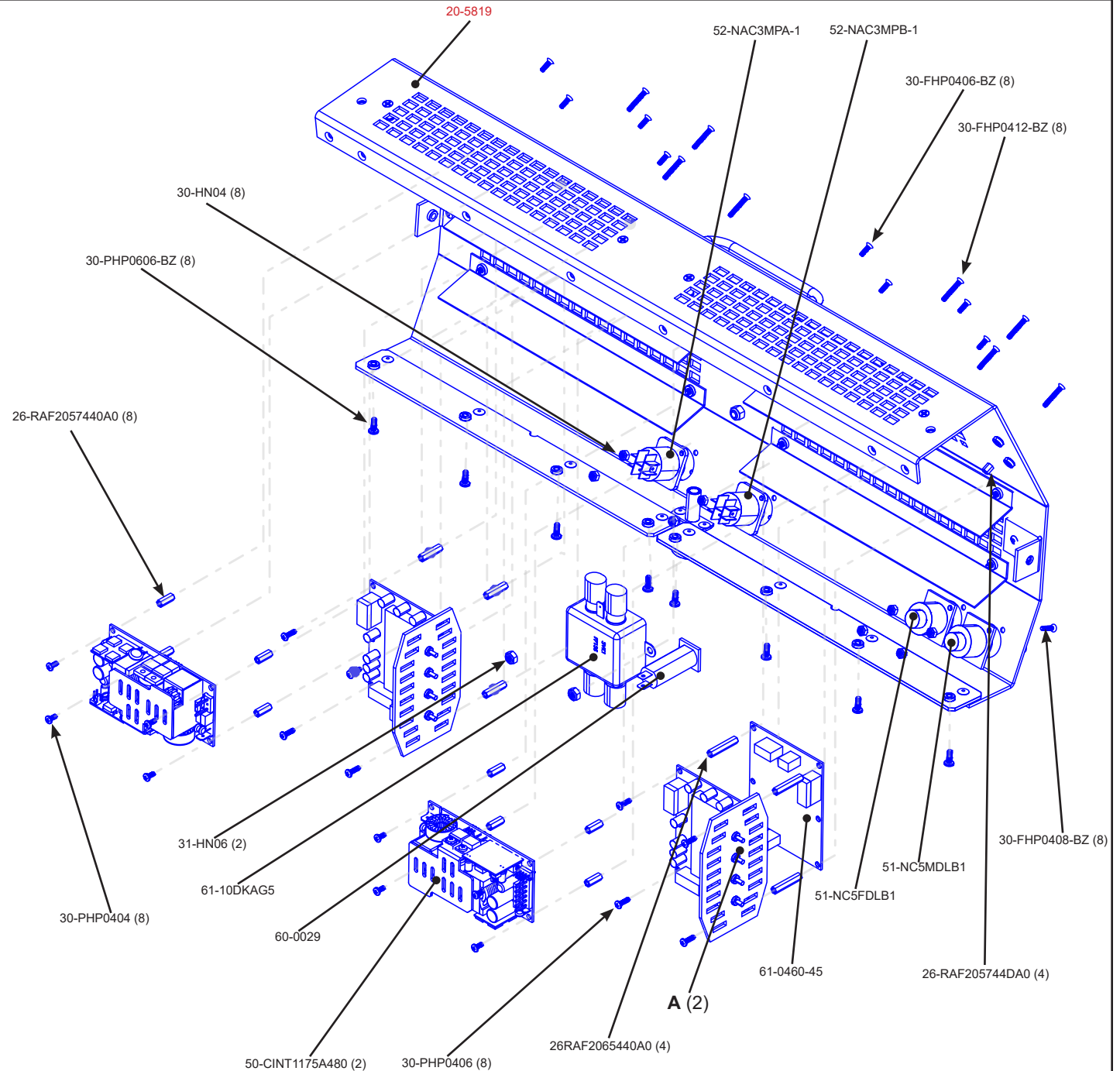
Part Number	Description
61-0455-25	LED Board for RGBA Fixture
61-0455-30	LED Board for RGBW Fixture
61-0455-40	LED Board for 6K Fixture
61-0455-50	LED Board for 3K to 6K Fixture
61-0621-25	LED Board for UV Fixture

ALTMAN

Altman Lighting Co Inc.
 57 Alexander ST, Yonkers NY, 10701
 Ph: (914) 476-7987 Fax (914) 963-7304
<https://www.altmanlighting.com>

Spectra CYC 200 Rear Assembly

Color Code ● = Object ● = MFG, Number Not For Sale ● = Obsolete ● = Part Number/ Note **BOLD** = Sub Assembly



A

Part Number	Description
61-0465-45	LED Driver Board PCB RGBA/ RGBW
61-0510	LED Driver for 3k, 6K and UV Fixtures

ALTMAN

Altman Lighting Co Inc.
 57 Alexander ST, Yonkers NY, 10701
 Ph: (914) 476-7987 Fax (914) 963-7304
<https://www.altmanlighting.com>