

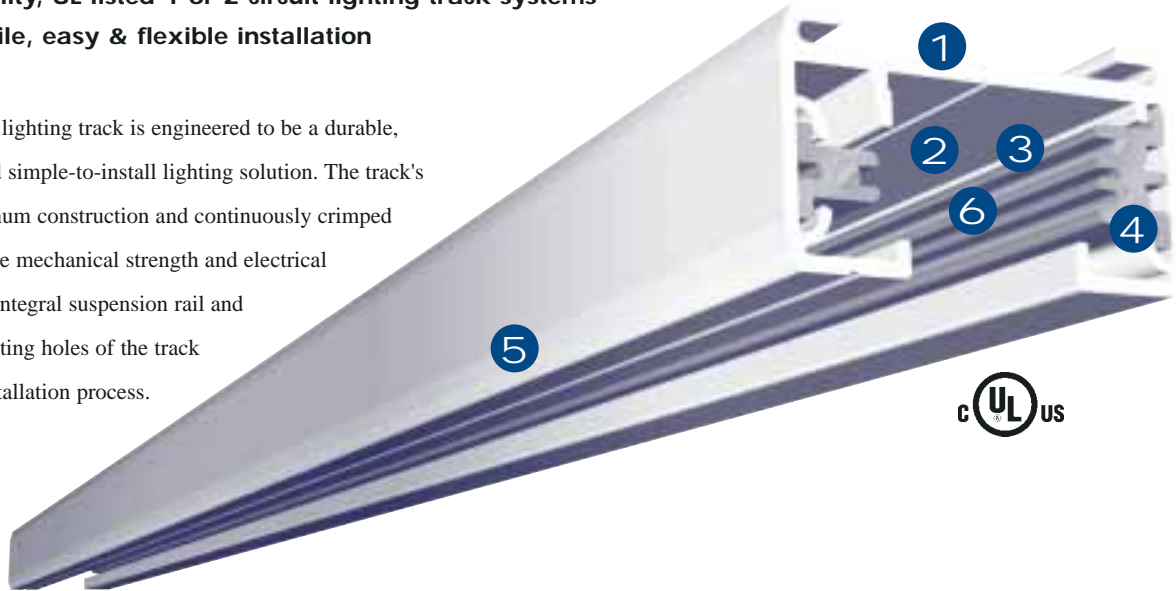
# Lighting Track Systems

- High quality, UL listed 1 or 2 circuit lighting track systems
- Low profile, easy & flexible installation

GLOBAL trac lighting track is engineered to be a durable, dependable, and simple-to-install lighting solution. The track's extruded aluminum construction and continuously crimped conductor ensure mechanical strength and electrical reliability. The integral suspension rail and predrilled mounting holes of the track simplify the installation process.

Catalog Numbers  
ASL-E1 Circuit Series  
ASL-E2 Circuit Series

Item Type:



- 1 Suspension Hardware Rail** - provides fastening point for suspension hardware, also serves as an attachment point for the unique, load-bearing metal backplate featured on eco feeds and connectors, ensuring a secure connection.
- 2 Milled Grounding Bar** - provides continuous ground contact for fixtures anywhere along the track run.
- 3 Alignment Groove** - provides easy centering for screws.
- 4 Bus Bar Installation** - conductor and insulation assembly is crimped continuously into place along the track profile, and is guaranteed not to slip for the life of the product, regardless of whether or not the track has been field cut.
- 5 Extruded Channel** - constructed of strong, extruded aluminum. Impervious to corrosion.
- 6 Predrilled Mounting Holes** - for installation convenience. Tracks ship from the factory with predrilled mounting holes spaced per UL and NEC guidelines

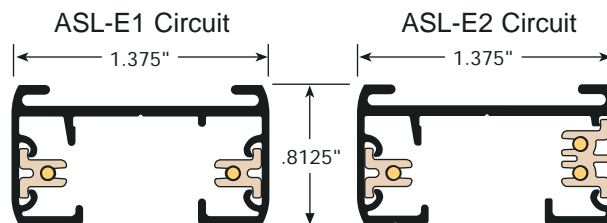
U.L. and c.U.L. Listed

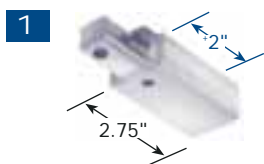
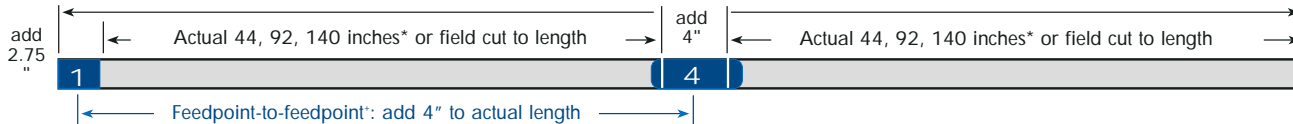
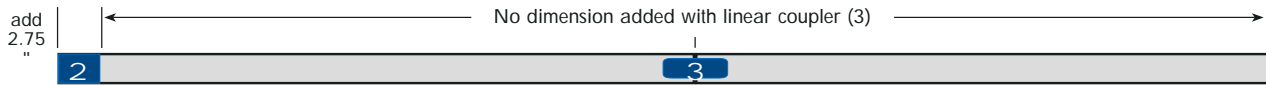
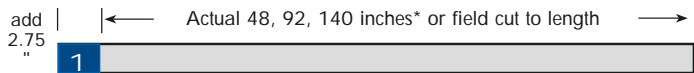


## *patented*

Feed Connectors with patented backplate suspension contact  
A unique backplate feature provides additional strength by mechanically integrating track and connectors into one continuous system.

- 1 Heavy-gauge steel backplate provides independent mechanical support**
- 2 Copper conductor never ok mechanical load. Held in place by continuous crimp insulator to ensure reliable electric contact.**
- 3 Durable GE Lexan® components. Soft finish reduces fingerprints.**





**1**  
**Live End Feed**  
 ASL-E111 (-2,-3) 1-Circuit  
 ASL-E211 (-2,-3) 2-Circuit



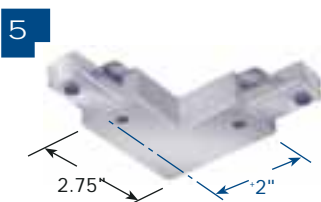
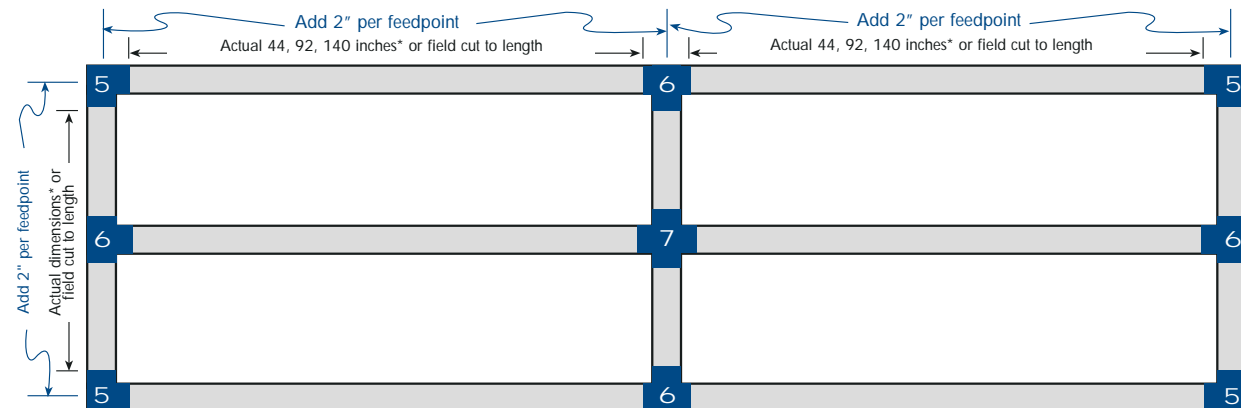
**2**  
**Conduit End Feed**  
 ASL-E113(-2,-3) 1-Circuit  
 ASL-E213 (-2,-3) 2-Circuit



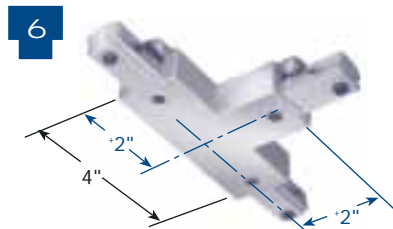
**3**  
**Linear Coupler**  
 ASL-E121 (-2,-3) 1-Circuit  
 ASL-E221 (-2,-3) 2-Circuit



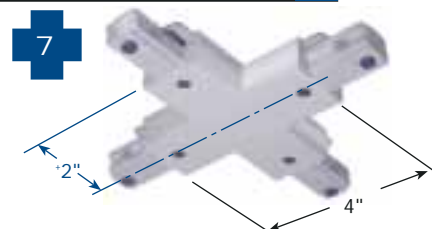
**4**  
**Live Middle Feed**  
 ASL-E114 (-2,-3) 1-Circuit  
 ASL-E214 (-2,-3) 2-Circuit



**5**  
**Feedable L-Connector**  
 Right/Left configurable.  
 ASL-E134 (-2,-3) 1-Circuit  
 ASL-E234 (-2,-3) 2-Circuit



**6**  
**Feedable T-Connector**  
 Right/Left configurable. ASL-E140 (-2,-3) 1-Circuit  
 Right configuration. ASL-E239 (-2,-3) 2-Circuit  
 Left configuration. ASL-E240 (-2,-3) 2-Circuit



**7**  
**Feedable X-Connector**  
 ASL-E138 (-2,-3) 1-Circuit  
 ASL-E238 (-2,-3) 2-Circuit

**Product Ordering Codes:** Color - White (-3), Black (-2), Natural Aluminum (-1); Circuit - E1 (-1 circuit), E2 (2 circuit)

**1-circuit track (E1 series) 2-circuit track (E2 series)**

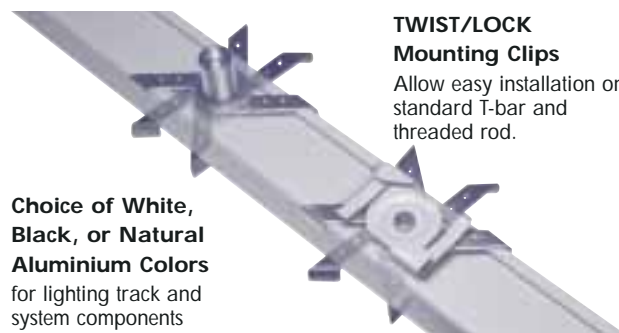
**Ordering Information**

Lengths\* - 4', 8', 12'. "E1" designates 1 circuit; "E2" designates 2 circuit.  
 Color Codes - White (-3), Black (-2), Natural (-1)

Nominal Lgth	Actual Lgth	One Circuit	Two Circuit
4-foot	44-inches	ASL-E104-(color)	ASL-E204-(color)
8-foot	92-inches	ASL-E108-(color)	ASL-E208-(color)
12-foot	140-inches	ASL-E112-(color)	ASL-E212-(color)

**Example: 1-circuit, 8-foot track section in black: ASL-E108-2**

\* Actual lengths differ from nominal lengths to accommodate modularity in grid applications.



**Choice of White, Black, or Natural Aluminium Colors** for lighting track and system components