

# 360/360Q PATTERN HOLDER

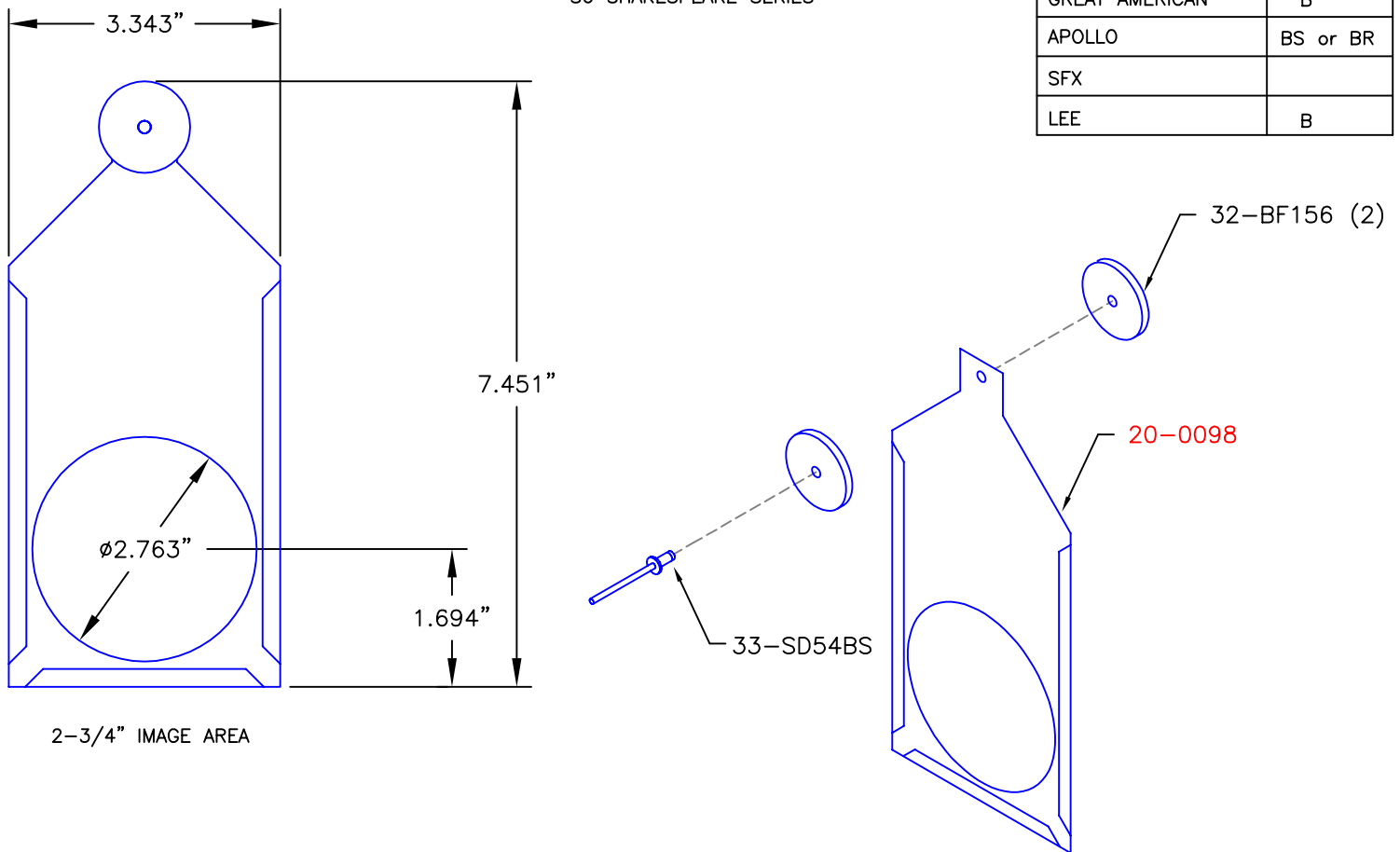
<b>Catalog No:</b>	<b>Assy No:</b>	<b>Description:</b>	<b>Revision:</b>	<b>Section:</b>
360-PH		360/360Q PATTERN HOLDER	C	9.4.3

Color Code: ● = Object ● = MFG. Number-Not for Sale ● = Obsolete ● = Part Number/Note **Bold** = Sub-Assembly

ALTMAN 360  
PATTERN HOLDER

MANUFACTURER	SIZE
ROSCO	B
GREAT AMERICAN	B
APOLLO	BS or BR
SFX	
LEE	B

FOR USE IN ALTMAN FIXTURES:  
360/360Q SERIES  
4.5Z SERIES  
S6 SHAKESPEARE SERIES



# ALTMAN

Altman Stage Lighting Co. Inc.  
57 Alexander St., Yonkers, NY, 10701  
Ph: (914) 476-7987 Fax: (914) 963-7304  
<http://www.altmanltg.com>