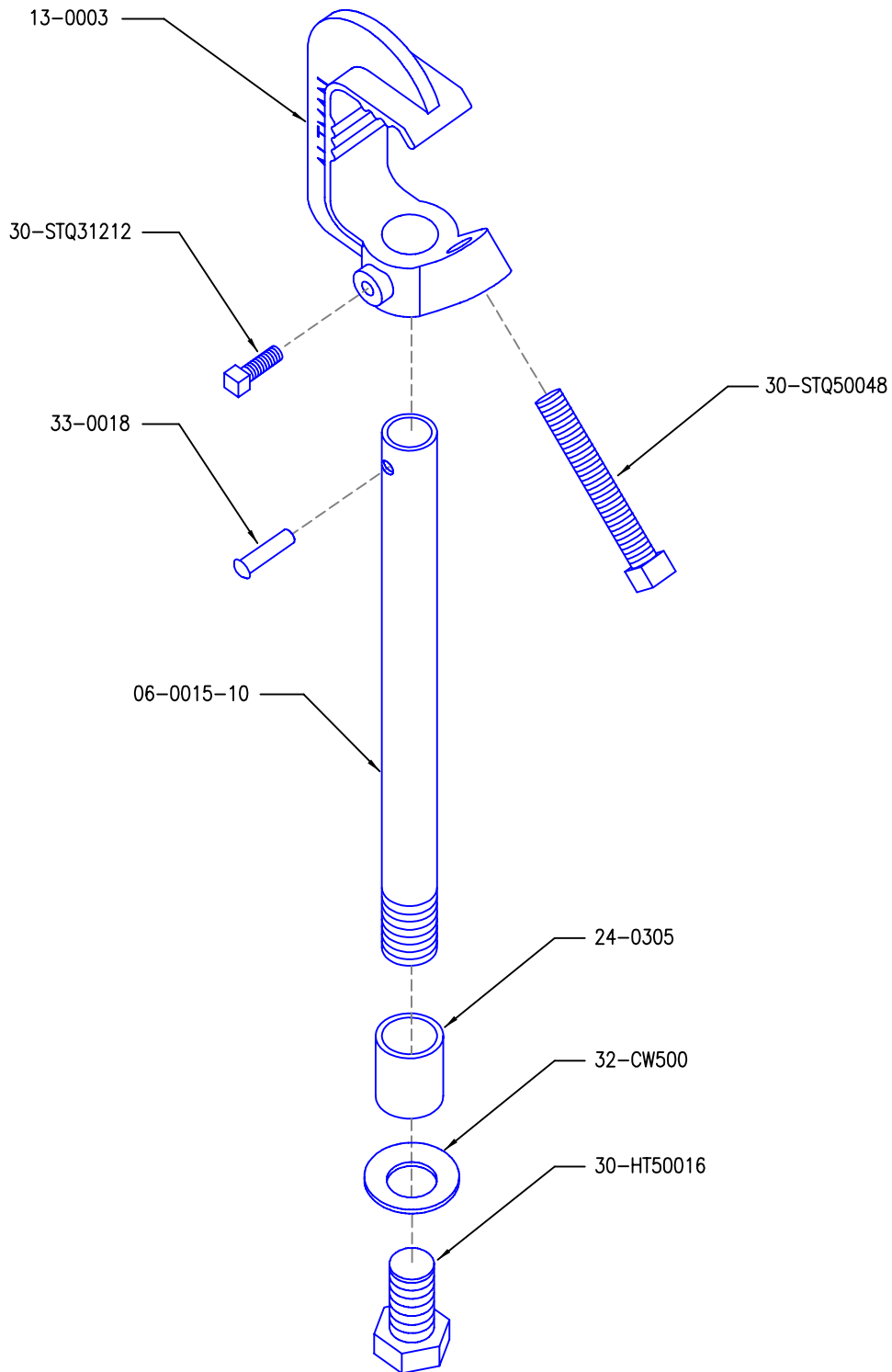


# 504A-24 FIXTURE EXTENSION CLAMP

Catalog No:	Assy No:	Description:	Revision:	Section:
504A-24		24" FIXTURE EXTENSION CLAMP	-	9.5.11

Color Code: ● = Object ● = MFG. Number-Not for Sale ● = Obsolete ● = Part Number/Note **Bold** = Sub-Assembly



# ALTMAN

Altman Lighting Co. Inc.  
 57 Alexander St., Yonkers, NY, 10701  
 Ph: (914) 476-7987 Fax: (914) 963-7304  
<http://www.altmanltg.com>