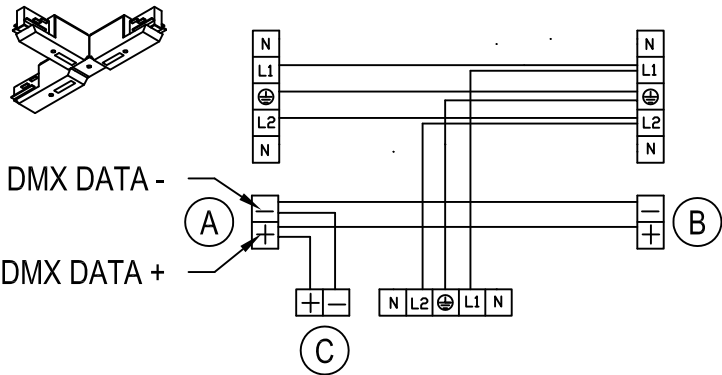
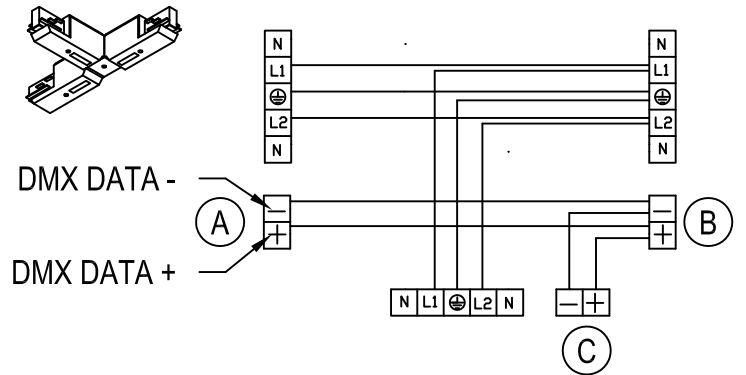


ASL-99814 T-COUPLER WITH GND CONTACT LEFT



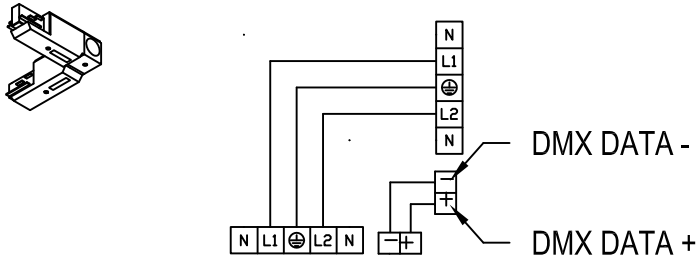
CONNECT DATA EITHER A TO B, A TO C, OR B TO C.
DO NOT T-TAP OR STAR DMX SIGNAL.

ASL-99813 T-COUPLER WITH GND CONTACT RIGHT

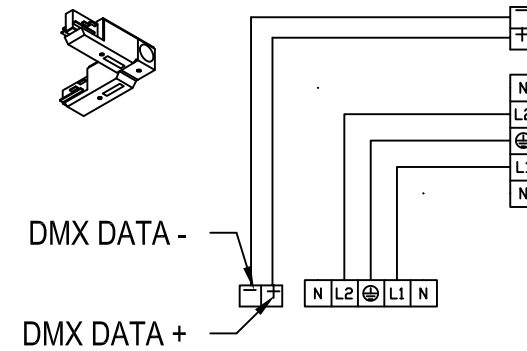


CONNECT DATA EITHER A TO B, A TO C, OR B TO C.
DO NOT T-TAP OR STAR DMX SIGNAL.

ASL-99809 L-COUPLER WITH GND CONTACT INSIDE

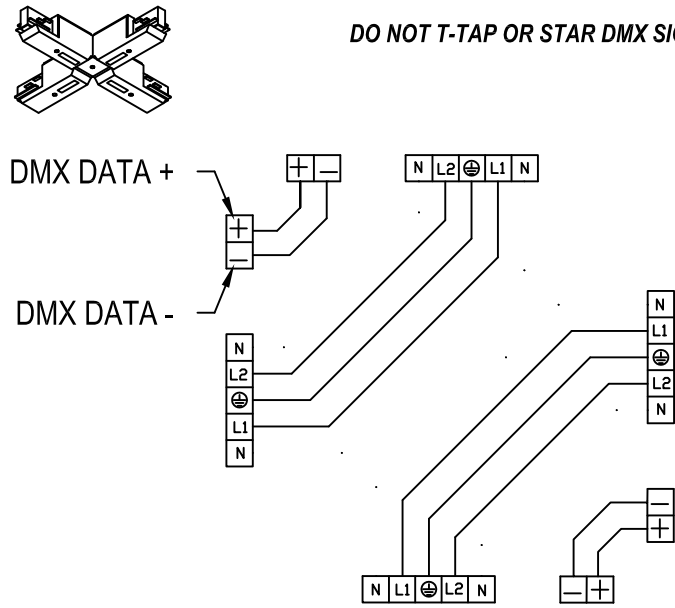


ASL-99810 L-COUPLER WITH GND CONTACT OUTSIDE



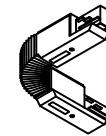
ASL-99816 X-COUPLER

DO NOT T-TAP OR STAR DMX SIGNAL.

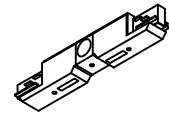


ASL-98581 FLEXIBLE COUPLER

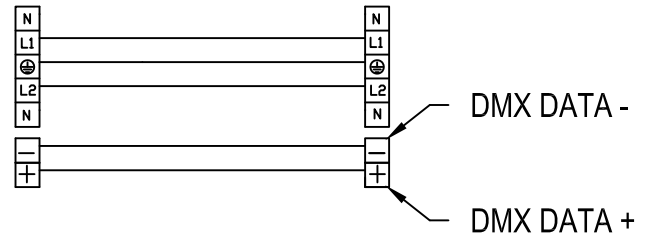
ASL-99806 STRAIGHT COUPLER WITH POWER FEED



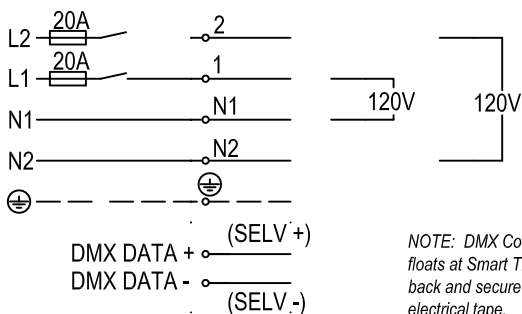
ASL-98581



ASL-98581



POWER & DATA TERMINATIONS (TYPICAL)



Smart Track®
Installation Details

ASL-99XXX 2-CIRC COMPONENTS		SHEET:
WIRING DETAILS		
SCALE: NTS	DATE: 03/02/11	
REVISION: A	REV. DATE:	
DWG. BY: WCD	APPROVAL:	
		OF: