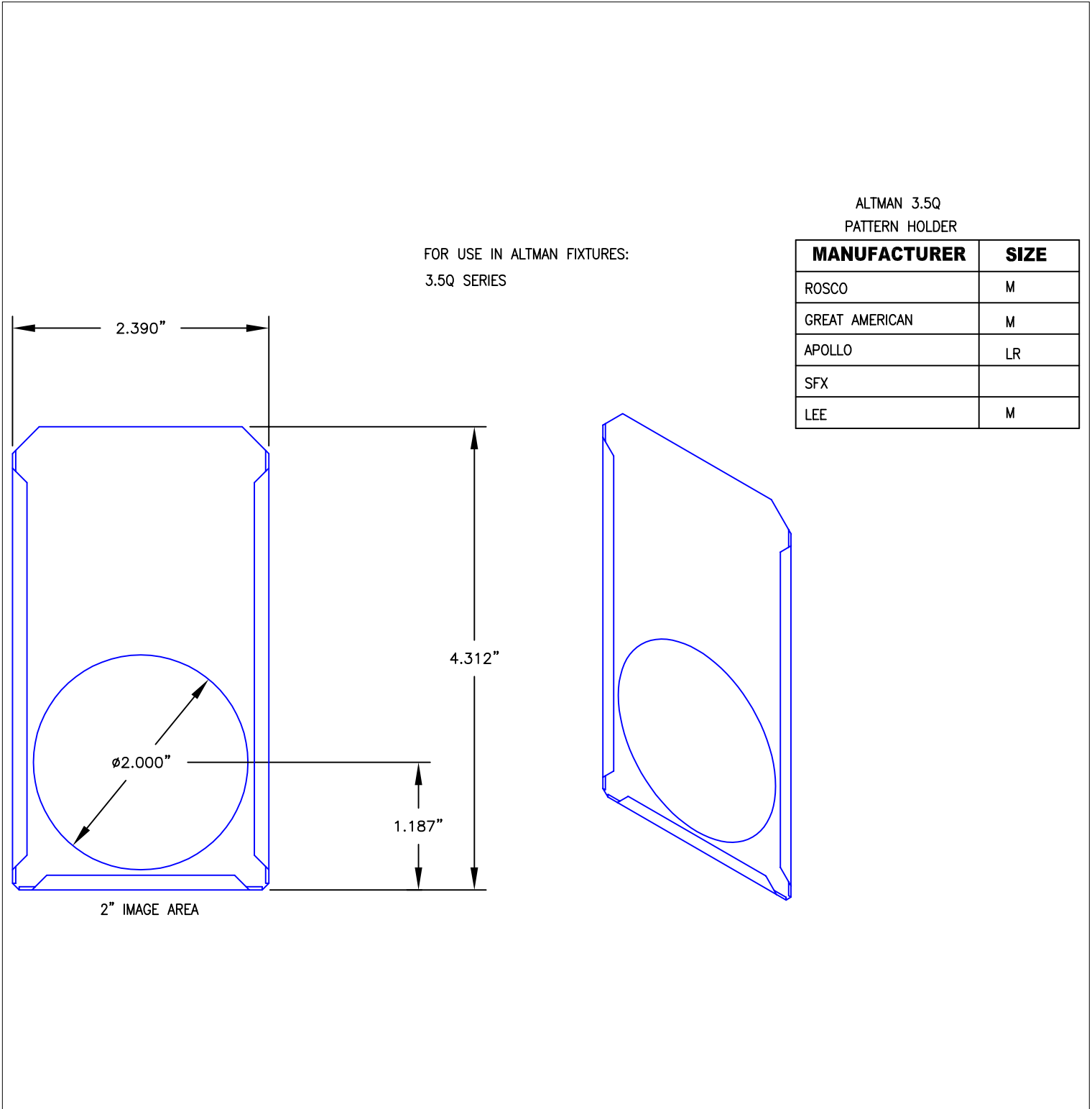


# 3.5Q PATTERN HOLDER

<b>Catalog No:</b>	<b>Assy No:</b>	<b>Description:</b>	<b>Revision:</b>	<b>Section:</b>
3.5Q-PH		3.5Q PATTERN HOLDER	C	9.4.2

Color Code: ● = Object ● = MFG. Number-Not for Sale ● = Obsolete ● = Part Number/Note **Bold** = Sub-Assembly



ALTMAN 3.5Q  
PATTERN HOLDER

MANUFACTURER	SIZE
ROSCO	M
GREAT AMERICAN	M
APOLLO	LR
SFX	
LEE	M

# ALTMAN

Altman Stage Lighting Co. Inc.  
57 Alexander St., Yonkers, NY, 10701  
Ph: (914) 476-7987 Fax: (914) 963-7304  
<http://www.altmanltg.com>