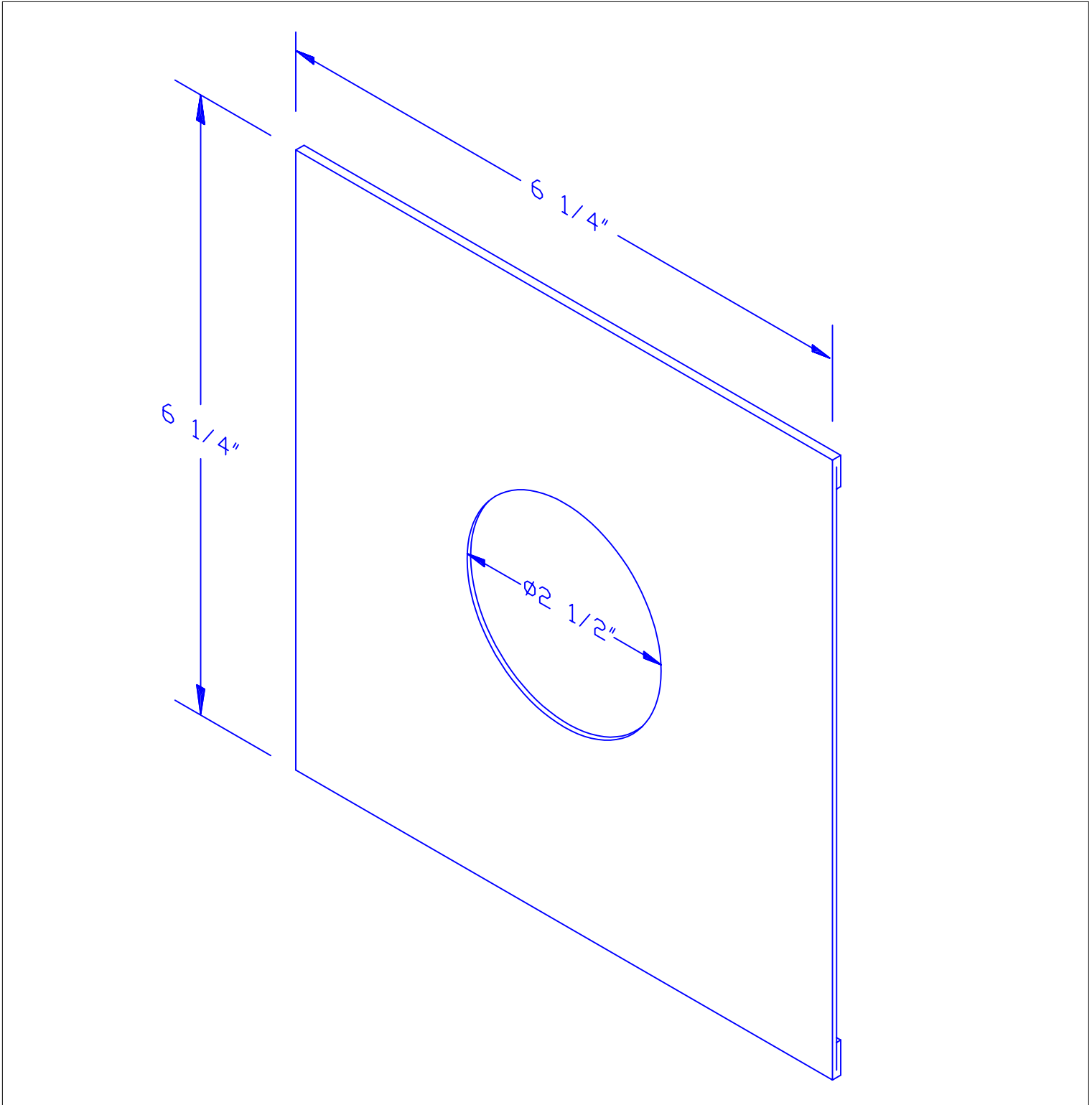


# 4.5 DONUT

Catalog No:	Assy No:	Description:	Revision:	Section:
4.5-DN		DONUT 6-1/4" X 6-1/4"	-	9.3.2

Color Code: ● = Object ● = MFG. Number-Not for Sale ● = Obsolete ● = Part Number/Note **Bold** = Sub-Assembly



# ALTMAN

Altman Lighting Co. Inc.  
57 Alexander St., Yonkers, NY, 10701  
Ph: (914) 476-7987 Fax: (914) 963-7304  
<http://www.altmanltg.com>