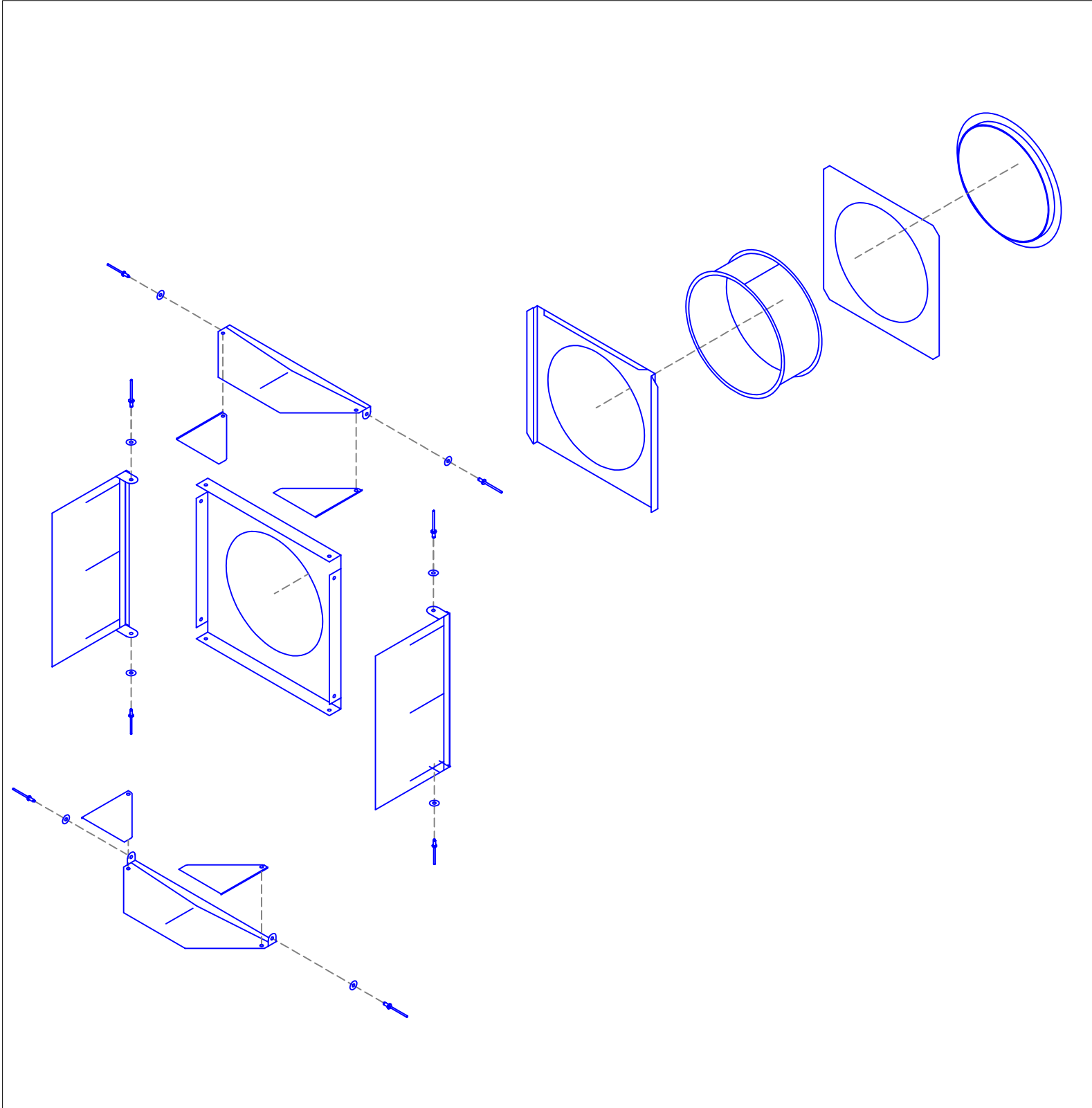


6" BARNDOOR

Catalog No:	Assy No:	Description:	Revision:	Section:
6-BD-4		6" BARNDOOR	B	9.1.3

Color Code: ● = Object ● = MFG. Number-Not for Sale ● = Obsolete ● = Part Number/Note **Bold** = Sub-Assembly



ALTMAN

Altman Lighting Co. Inc.
57 Alexander St., Yonkers, NY, 10701
Ph: (914) 476-7987 Fax: (914) 963-7304
<http://www.altmanltg.com>