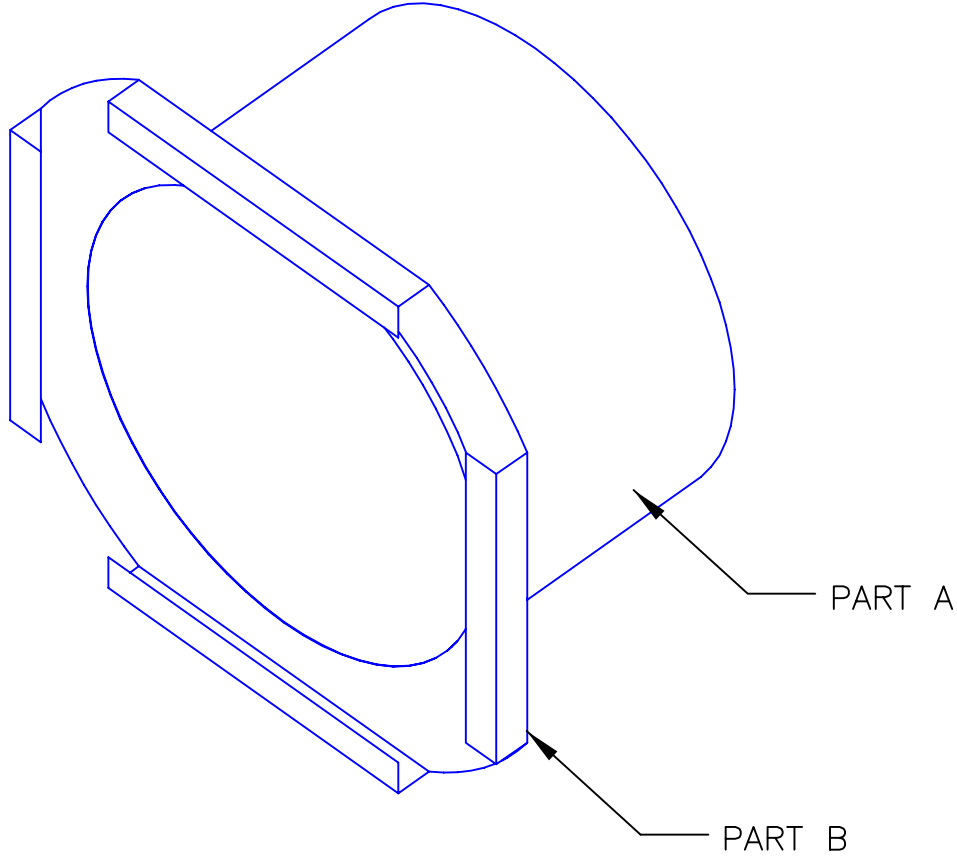


FIXTURE SNOOTS

Catalog No:	Assy No:	Description:	Revision:	Section:
SEE BELOW		SEE BELOW	-	9.2.1 THRU 9.2.9

Color Code: ● = Object ● = MFG. Number-Not for Sale ● = Obsolete ● = Part Number/Note **Bold** = Sub-Assembly



FIXTURE SNOOTS:

CAT. NO.	DESCRIPTION	PART A	PART B	SECTION
100-SN	#100 SNOOT	20-0879	20-0878	9.2.1
3.5Q-SN	3.5Q SERIES	20-0879	20-0877	9.2.2
4.5-SN	4.5 SERIES PAR46	20-0876	20-0875	9.2.3
S6-4.5-SN	S6-20 THRU -50	N/A	N/A	9.2.4
6-SN	65/360/1KAF/1KL/PAR56	20-0936	20-0152	9.2.5
S6-6-SN	S6-12/S6-1535Z/3055Z	N/A	N/A	9.2.6
8-SN	75 SERIES/1K18/PAR64	20-0939	20-0153	9.2.7
TEN-SN	1KL10-5/S6-10	N/A	N/A	9.2.8
704-SN	704 SNOOT	N/A	N/A	9.2.9

ALTMAN

Altman Lighting Co. Inc.
 57 Alexander St., Yonkers, NY, 10701
 Ph: (914) 476-7987 Fax: (914) 963-7304
<http://www.altmanlgt.com>