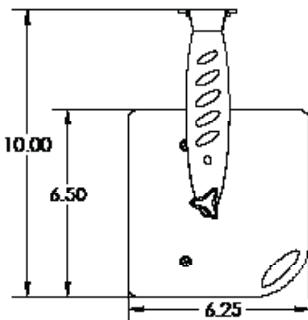
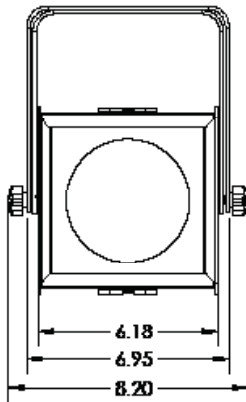
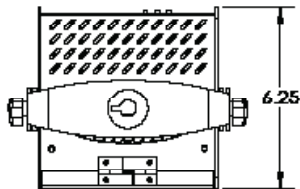


SPECTRA CUBE

The Spectra Cube is a 50 Watt wash luminaire utilizing red, green, blue, amber, white or UV385nm LED's. Designed for theatrical and architectural applications, the power supply is convection cooled without the use of fans to provide silent, long term, high output performance. The on-board power supply also allows for direct power & data input which can be daisy chained through 30 units. Designed for use on 4' centers, individual units can be linked side by side for greater saturation of light. The Spectra Cube is compatible with both DMX and RDM protocols, and comes complete with a library of pre-programmed single colors to various color mixes. Units are made for floor, portable, or track mount applications.



WASH LIGHTING

Catalog Numbers

SSCUBE-*.**
SSCUBEY-*.**
UVCUBE-85-30



50 WATT SPECTRA CUBE Features

- Available in 4 Standard LED color configurations:
RGBA, RGBW, 3K White, 3K-6K Tunable White & UV 385nm
- Altman Smart Track compatible.
- Convection Cooled
- On-board multi-voltage power supply 100-240VAC.
- Feed through power and data capabilities.
- Compatible with DMX and RDM protocols.
- Push button addressing.
- Pre-programmed modes for fixed colors, timed color changes and strobes.
- 5 lbs.
- ETL & cETL listed.
- Made in the USA

Model	LED Array	Finish Color

SSCUBEY for Smart Track mounting

Project:	Approval Date:
Location:	Fixture Type:

Photometrics (RGBA):

Throw Distance (d)	10' 3m	15' 4.6m	20' 6.1m	25' 7.6m
Field Size, (H x V)	3.5' x 3.5' 1.1m x 1.1m	5.3' x 5.3' 1.6m x 1.6m	7.1' x 7.1' 2.1m x 2.1m	8.8' x 8.8' 2.7m x 2.7m
Illuminance (fc)	108	48	27	17
Illuminance (lux)	1,158	515	289	185

**For field diameter at any distance, multiply distance by 0.35*

Photometrics (3K White):

Throw Distance (d)	10' 3m	15' 4.6m	20' 6.1m	25' 7.6m
Field Size, (H x V)	3.5' x 3.5' 1.1m x 1.1m	5.3' x 5.3' 1.6m x 1.6m	7.1' x 7.1' 2.1m x 2.1m	8.8' x 8.8' 2.7m x 2.7m
Illuminance (fc)	236	105	59	38
Illuminance (lux)	2,534	1,126	633	405

**For field diameter at any distance, multiply distance by 0.35*

Accessories: Description:

PCL-PBG-12-5	5' 20A PowerCON from 15A Edison Male (Included)
SC-36-BK	Black Safety Cable with Spring Clip (Included)
SSCUBE-P95	SSCUBE P95 Acrylic Lens (Included)
510	Malleable Iron Pipe Clamp (2 lbs.)
510-F	Light Duty Flat Steel Pipe Clamp: for 1/4" to 1-1/2" Pipe, Includes 5/16-18 Bolt
SSCUBE-BD4-*	4 Leaf Barn Door
SS-STR-FRP-FF	Filter Frame 5-5/8" X 5-5/8" Fiber Frame
SSCUBE-LV	Spectra Cube Louver - Black
	*Add the following code for finish: -B, -W, -S

Diffusion Lenses: Description:

SSCUBE-LSL	SSCUBE Linear Spread Lens
SSCUBE-SL	SSCUBE Spread Lens
SS-STR-LSD-601	Spectra CUBE/Strip 60 X 1 Light Shaping Diffuser
SS-STR-LSD-601	Spectra Cube/Strip 95 X 25 Light Shaping Diffuser
SS-STR-LSD-30	Spectra CUBE/Strip 30° Spread Lens
SS-STR-LSD-40	Spectra CUBE/Strip 40° Spread Lens
SS-STR-LSD-60	Spectra CUBE/Strip 60° Spread Lens
SS-STR-FRP-FF	Filter Frame 5-5/8" X 5-5/8" Fiber Frame