

SS-UV30

WASH LIGHTING

Catalog Numbers

SS-UV30

The Spectra UV30 is a 30 Watt UV luminaire utilizing high performance, long life UV-A emitters. The Spectra UV30 is designed with three LED cells on three independent DMX channels for intensity control. The LED cells can be individually focused and the interchangeable yoke allows for vertical or horizontal alignment.

An on board multi-voltage power supply allows for direct power and data connection as well as feed through capabilities. The Spectra UV30 is compatible with both DMX and RDM protocols and comes complete with a library of pre-programmed fades and strobes as well as manual intensity control. Shows and addressing are accessed via the push button display.

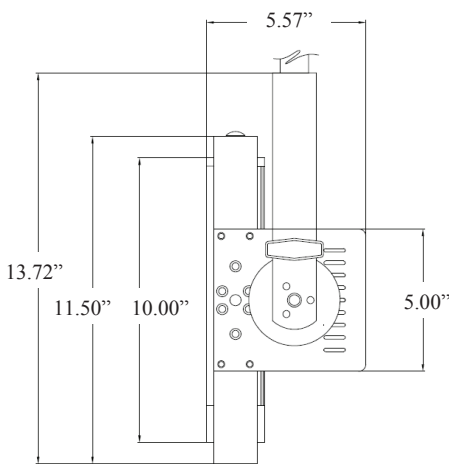
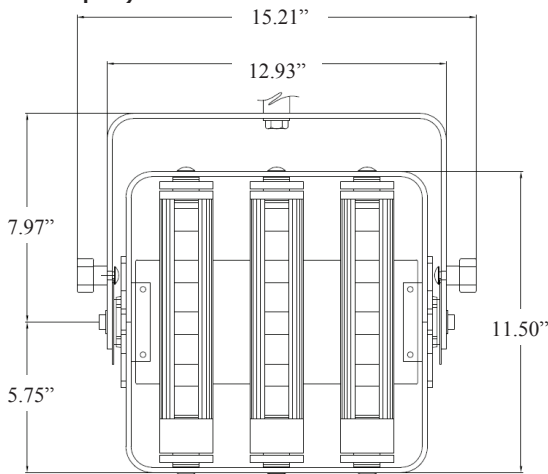


30 WATT

SS-UV-30

Features

- High performance, long life UV-A emitters
- Less visible light than traditional blacklights using 365nm UV-A LEDs
- Interchangeable yoke position for vertical or horizontal alignment of the LED cells
- Feed through power and data capabilities
- 10°, 30° or 60° Lens Options
- Selectable 8 and 16 bit personalities
- On-board multi-voltage power supply 100-240VAC 50/60Hz.
- DMX and RDM compatible
- Push button programming
- 16 lbs.
- ETL & cETL listed



Model Number	
SS-UV30	Spectra UV30
Accessories	
SC-36-BK	36" Black Safety Cable
SS-UV30-BD4	4 way barndoor