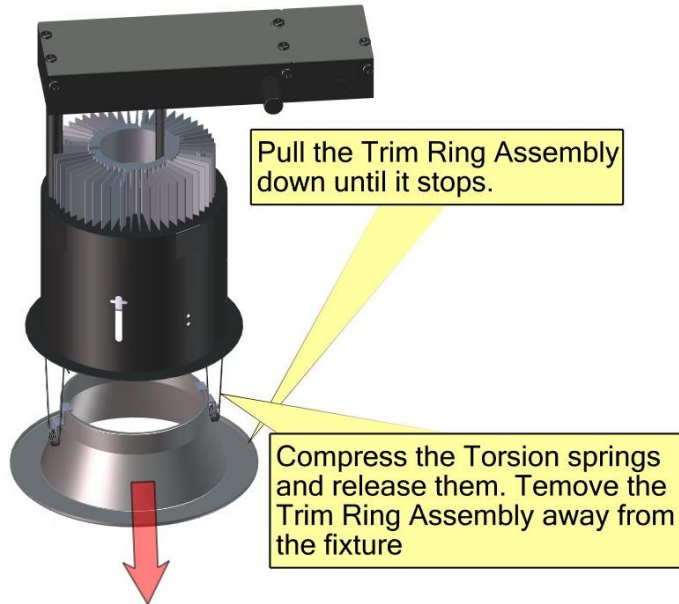




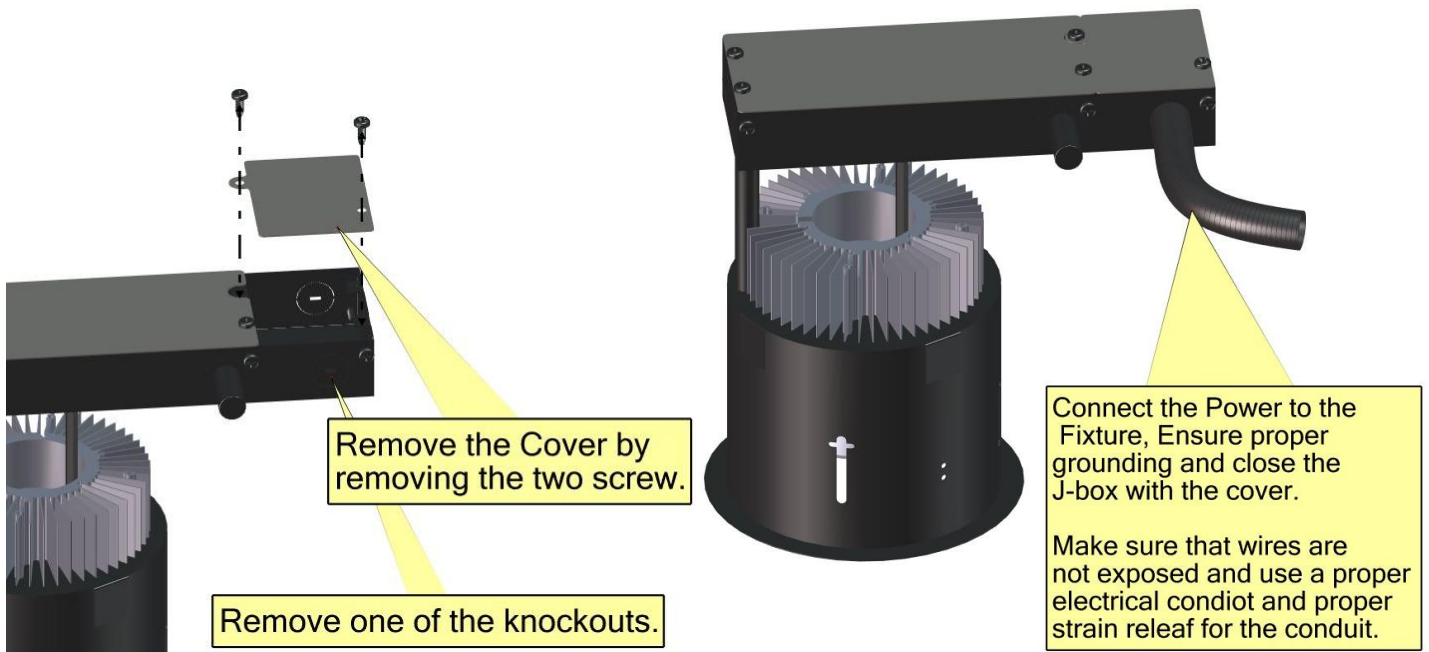
6" LED RECESSED DOWN LIGHT INSTALLATION MANUAL



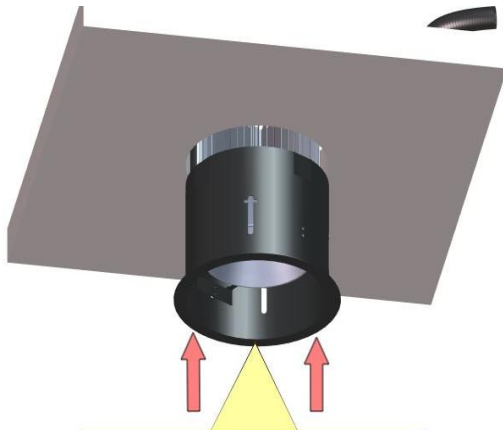
Step 1: Remove the Trim Ring Assembly from the fixture.



Step 2: Electrical Wiring.

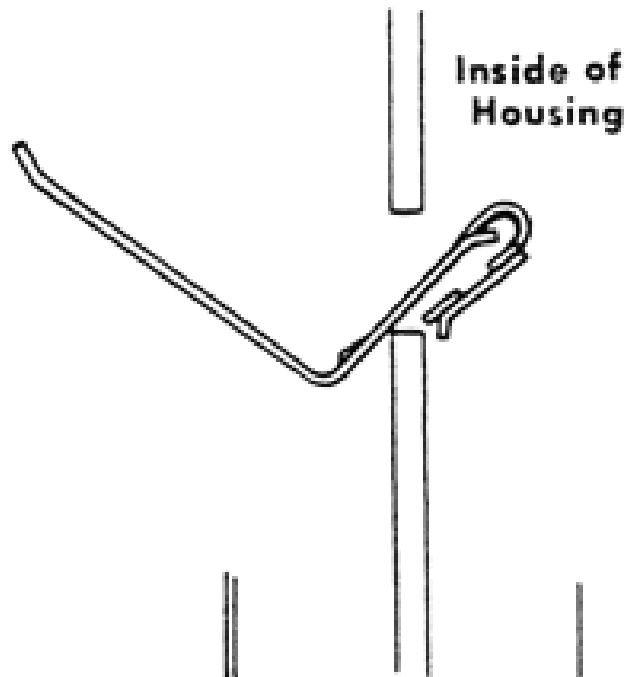


Step 3: Secure the Fixture in the Ceiling.



Cut a 6" hole in the Ceiling.
Insert the Fixture into the
Ceiling hole.

Secure the Fixture using
the retaining clips and the
hardware provided.

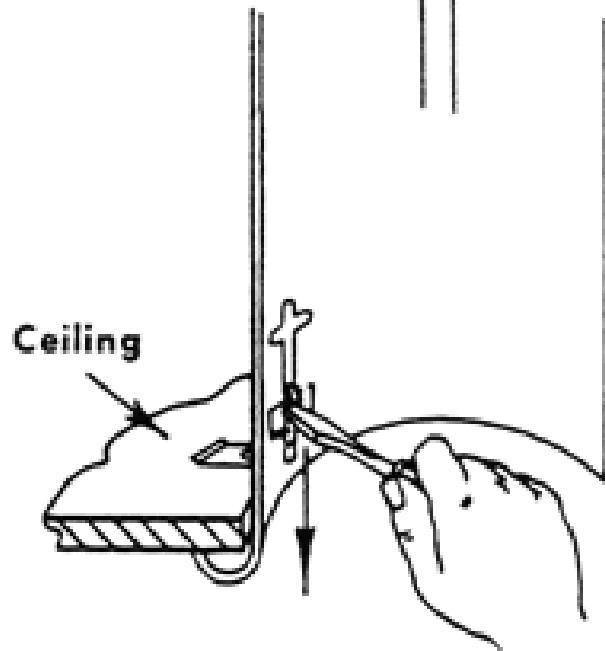


To Install Recessed Light Clips:

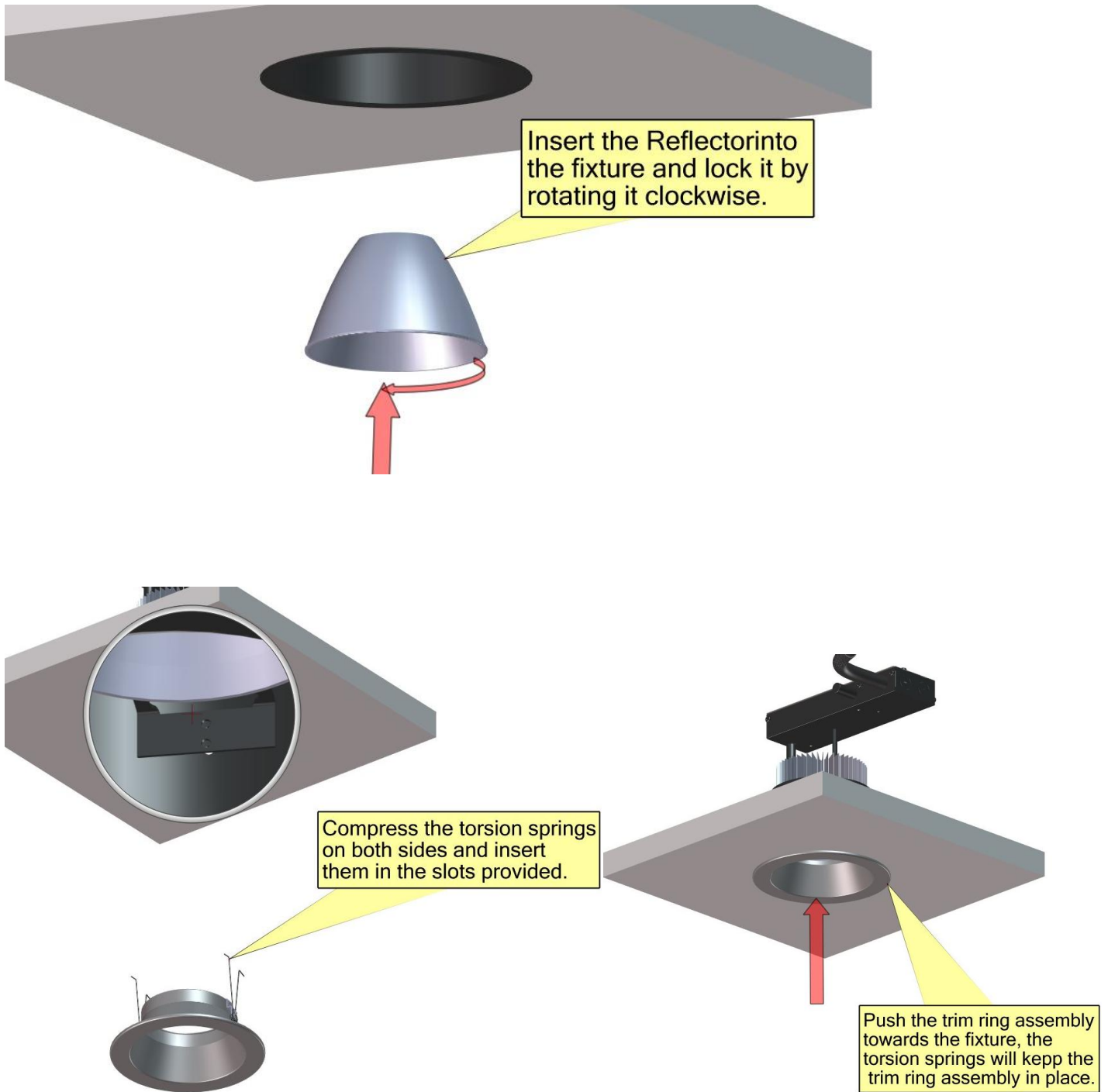
1. Slide housing through ceiling opening into plaster frame. Plaster frame must be fastened firmly in place, nailed, plastered or with hanger bars.
2. Twist housing until Palnut® retaining clip fastener snaps into slots in housing
3. Push housing up until snug against ceiling.
4. Fasten the screws from the inside for extra protection.

To Remove Recessed Light Clips:

1. Each fastener, in succession, is pressed away from housing with a screwdriver. As this is done, housing "walks" downward. When down enough to be grasped, the housing is rotated to free the Clips from slots. Housing is then pulled down and out.



Step 4: Attach the Reflector and Trim Ring.



Wiring Details:

