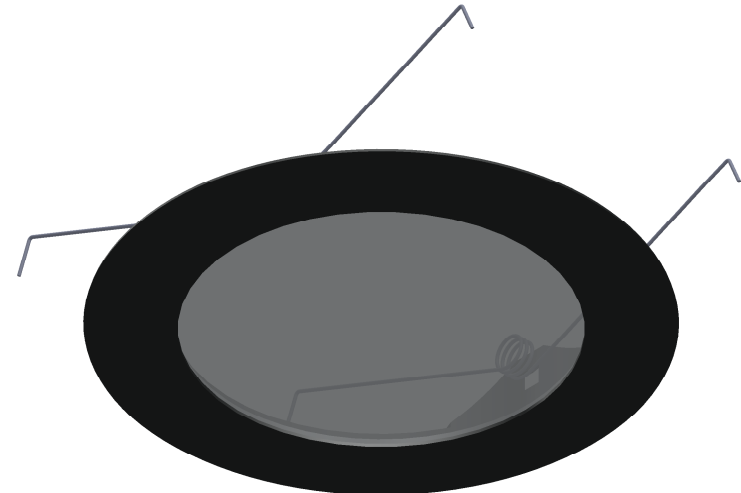
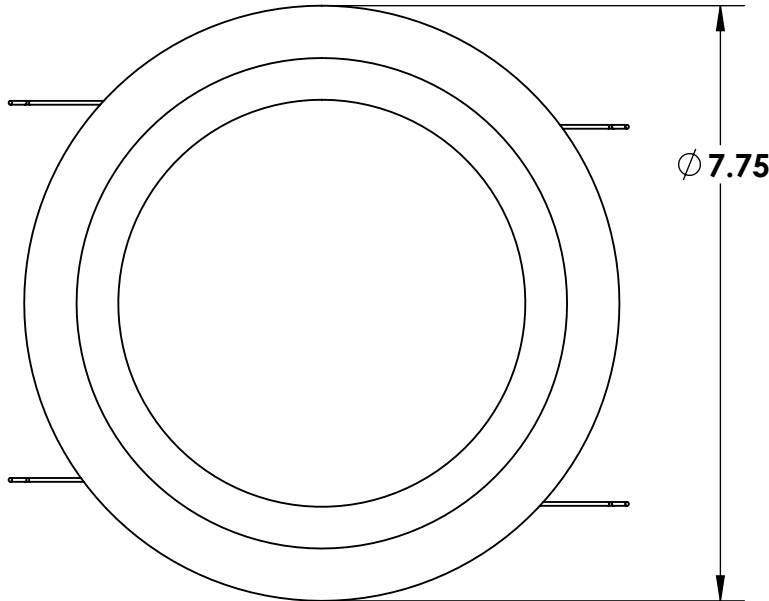


SECTION A-A



PROPRIETARY AND CONFIDENTIAL THE INFORMATION CONTAINED IN THIS DRAWING IS THE SOLE PROPERTY OF ALTMAN STAGE LIGHTING INC. ANY REPRODUCTION IN PART OR AS A WHOLE WITHOUT THE WRITTEN PERMISSION OF ALTMAN STAGE LIGHTING INC. IS PROHIBITED.	UNLESS OTHERWISE SPECIFIED:	INTERPRET GEOMETRIC TOLERANCING PER: ASME Y14.5	NAME	DATE	TITLE: CDR50 TRIM RING ASSEMBLY				
	DIMENSIONS ARE IN INCHES	MATERIAL	DRAWN	SASI	6/24/2014	PART NO.		ALTMAN Lighting, Inc.	CDR50_TRIM_RING
	TOLERANCES: FRACTIONAL: $\pm 1/16$ ANGULAR: MACH $\pm 1^\circ$ BEND $\pm 1^\circ$ TWO PLACE DECIMAL ± 0.030 THREE PLACE DECIMAL ± 0.010	FINISH	PROJECT	CDR50		SIZE	A		
		DO NOT SCALE DRAWING	FILE	CDR50		SCALE: 1:2.5	WEIGHT:	SHEET 1 OF 1	

5



4

3

2

1