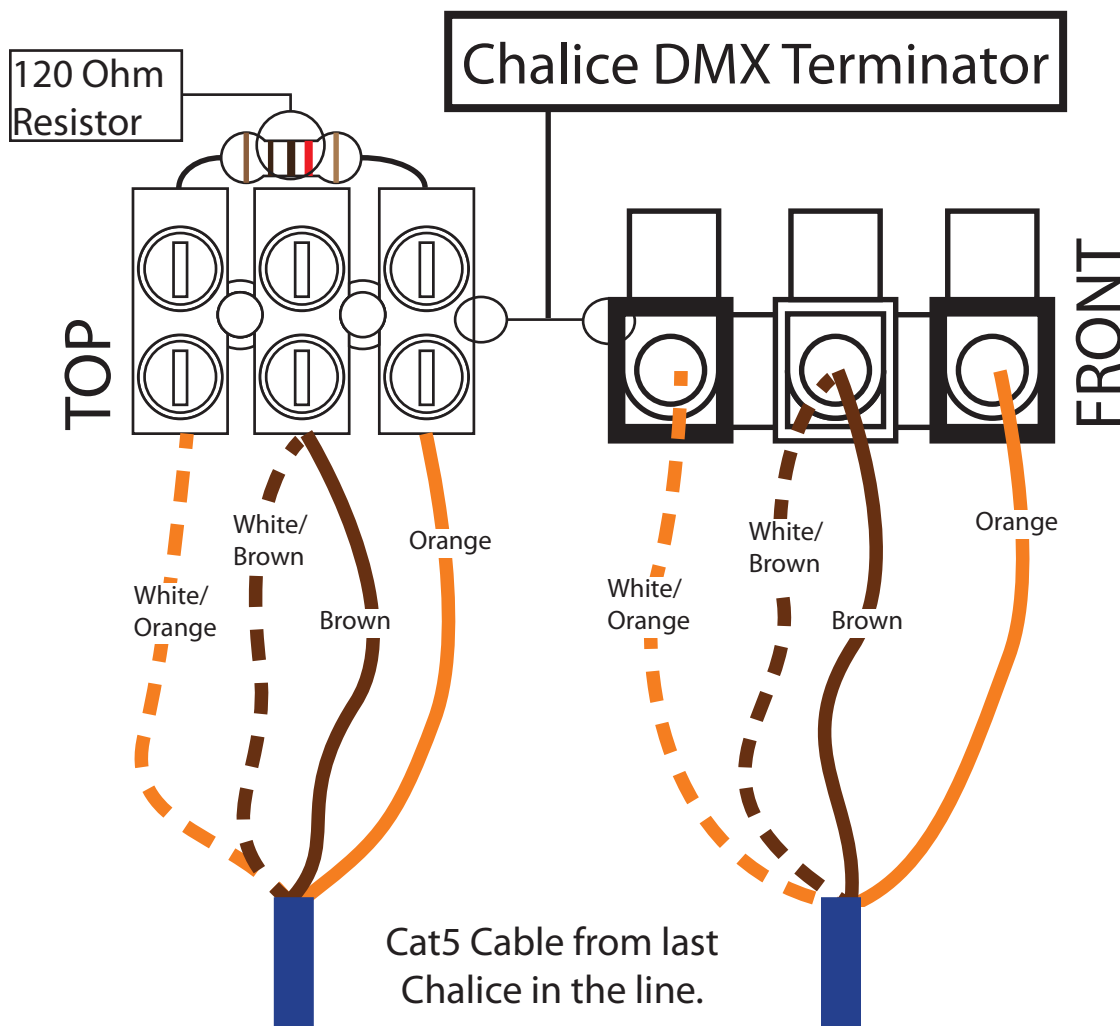


Chalice DMX Terminator Wiring



DMX termination for Chalice should be installed on the DMX Cat5 cable bare end on the last fixture in the communication line.