

THEMED ARCHITECTURAL LIGHTING

Catalog Number

IQ20MR16*



Fixture Type:

The IQ20MR16 is a compact, specification grade lighting fixture designed for use with 12V low voltage MR16 lamps 75 -watt maximum. This attractive fixture is a very efficient means of illuminating and highlighting areas or objects with soft narrow to wide beam spreads, which is a function of the lamp. The IQ20MR16 comes complete with an internal accessory holder for up to 3 accessories and dual swivel positioning system with degree markings. The low-heat, ruggedly handsome IQ20MR16 will accentuate the décor of any architectural venue.

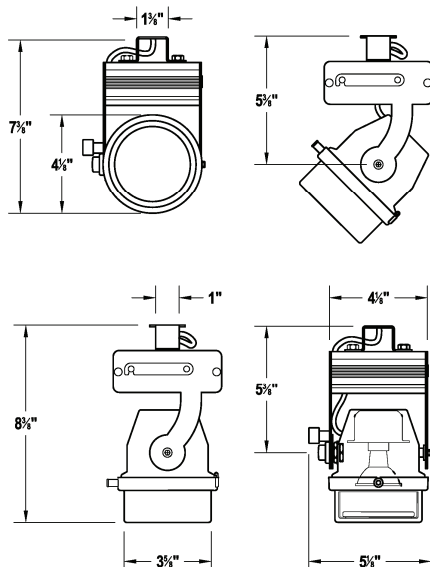
75 WATT MR16 Architectural IQ20MR16 Spot/ Floodlight Series

IQ20MR16 specification subject to change without notice.

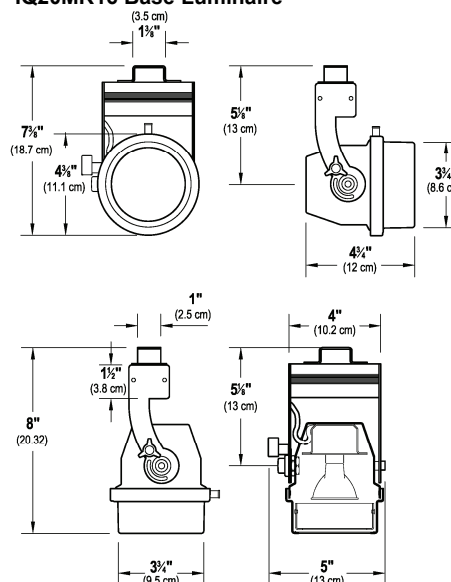
Features:

- Compatible w/ Altman Smart Track®
- Dimmable 75W, 12V short circuit and thermal protected electronic transformer
- Tool free re-lamping
- Track, Canopy, Stem and Unistrut mount options
- Internal holder for up to 3 x 3" diameter accessories
- Lightweight spun aluminum and laser cut steel
- ETL and cETL listed for 75 watts
- Made in the USA

IQ20MR16 Smart Luminaire



IQ20MR16 Base Luminaire



ALTMAN
Lighting, Inc.

BRINGING IMAGINATION TO LIGHT 57 Alexander Street, Yonkers, NY 10701 Tel: 914.476.7987, 212.569.7777; 800.4.ALTMAN Fax:914.963.7304
Visit our website at www.altmanlighting.com © 2011 Altman Lighting Company, Inc.

Architectural IQ20MR16 SPOT/FLOODLIGHT SERIES

Specifications

Housing: Lightweight spun aluminum.

Materials: Corrosion resistant materials and hardware.

Yoke: 14 gauge laser cut steel.

Socket: Mogul-End prong, tool free re-lamping.

Cable: 6' total length with molded Edison plug (unless track or canopy options are specified).

Socket: GX5.3

Transformer: 75W, 12V dimmable electronic transformer. Short circuit and thermal protected. Electronic internal resettable protection. Patent pending auto heat regulation that also acts as overload protection. Thermal auto-reset 125°C switch.

Rating: 120 volts A/C operation, .625 amps, 75 watts maximum (220-240 VAC & 277 VAC, 50/60 Hz unit available).

Finish: Black, White or Silver TGIC polyester, electrostatic application. Custom colors available.

Weight: Approx. 3.5 lbs. (1.59 kg) Base Model
 Approx. 5 lbs. (2.28 kg) Smart Track Model

Part Number: IQ20MR16-*_**		
Model	Color *	Additional Factory Installed Option**
IQ20MR16	Black	See Below
	White	
	Silver	
	Custom	

Accessories Supplied with LUMINAIRE	
70-1550 MSC	Internal Accessory Holder for 3" Dia. Accessories Mini Safety Cable

Additional Accessories	
IQ20-CH	Cylindrical Hood
IQ20-SCH	Sparkle Cylindrical Hood
IQ20-BD4	4 Leaf Barn Door
IQ20-CF	Color Filter Holder
IQ20-LV	1/4" Honeycomb Louver
IQ20-SL	Prismatic Spread Lens
IQ20-LSL	Linear Spread Lens
IQ20-DGF-*	Dichroic Glass Filter *Specify Color
IQ20-SGF-*	Slit Glass Filter *Specify Color
IQ20-LBS-*	Light Blocking Screen—* 20%, 30% or 40%
510-F	Light Duty Flat Steel Pipe Clamp: for 1/4" to 1-1/2" Pipe
510	Malleable Iron Pipe Clamp: 3/4" to 1-1/2" Pipe, includes 1/2" Bolt
MEGA-CLAMP-*	Extruded Aluminum Clamp for 3/4" to 2" Pipe, includes 1/2" Bolt *Specify Black or Silver
MINI-CLAMP*	Extruded Aluminum Clamp for 1/2" to 1-1/2" Pipe, includes 3/8" Bolt *Specify Black or Silver
MICRO-CLAMP*	Extruded Aluminum Clamp for 3/8" to 1" Pipe, includes 5/16" Bolt *Specify Black or Silver

LAMP INFORMATION				
Lamp Type	Watts	Volts	Rated Life (hrs)	Beam Spread
EYJ	75	12	4000	24°
EYC	75	12	4000	39°
EXT	50	12	5000	14°
EXN	50	12	5000	40°
LED6MR16/DIM/830NFL25	6	12	35,000	25°
LED6MR16/DIM/830FL36	6	12	35,000	36°

Note: LED MR16 lamps listed above not recommended for dimming

** Additional Factory Installed Options to Follow basic IQ20MR16 -Color-*	
-Y	Two Circuit Smart Track adapter installed with Quartz Triac DMX/RDM addressable dimmer 2 Circuit Smart Track System
TLA-E166	Nordic Eco 1 Circuit Track Adapter
TLA-TEK100	Nordic Spec Grade 2 Circuit Track Adapter
TLA-GA100UL	Nordic Spec Grade 3 Circuit Track Adapter
TLA-L	Lightolier Lytespan 1 Circuit Track Adapter
TLA-H	Halo 1 Circuit Track Adapter
54-SVT183-24CC	Coiled Cord with Edison Connector—24" retracted, 6 foot extended - Factory installed
Canopy	5" Diameter Canopy with universal mounting bracket
Unistrut	Unistrut bracket installed—spring nuts by others
Stem	Custom Stem to Canopy mount available—Max length 6'

Photometrics with 75W EYC lamp

