



Fixture Type:

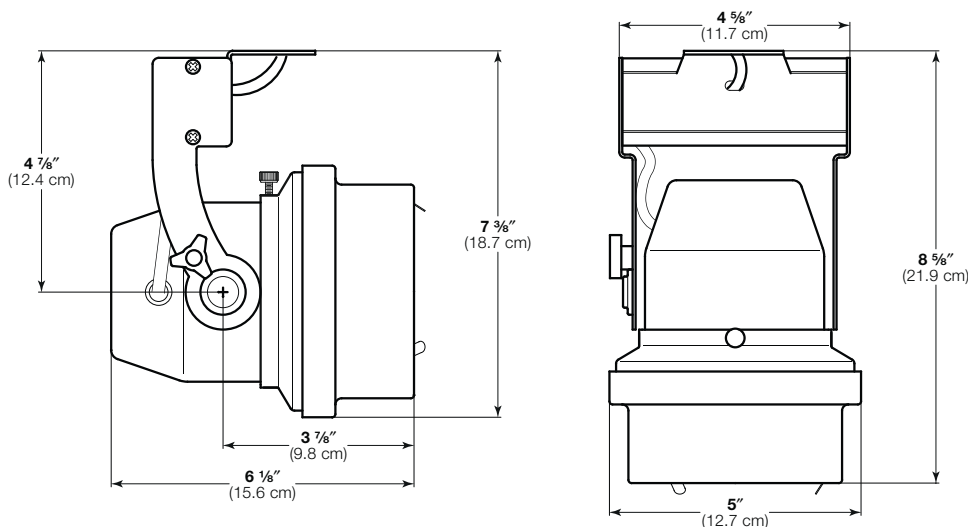
The IQ36 is a compact specification-grade lighting fixture designed for use with 12-volt PAR36 and AR-111 screw terminal lamps up to 75 watts. This attractive fixture is a very efficient means of illuminating and highlighting areas or objects with narrow to wide beam spreads. The IQ36 has tool-free lockable beam rotation along with all of the admirable features of IQseries fixtures, such as the internal accessory holder for up to three accessories, superior ventilation, and a dual-swivel positioning system with degree markings.

Specifications subject to change without notice.

**75-WATT
PAR36 SPOTLIGHT/FLOODLIGHT SERIES**

Features

- Can be used with 12-volt PAR36 or AR-111 lamps
- Lightweight spun aluminum and laser-cut steel
- Dimmable 75-watt 12-volt short-circuit and thermal-protected transformer
- Tool-free relamping and lockable beam rotation
- Track, canopy, stem and Unistrut™ options available
- Internal accessory holder and safety cable included
- U.L & c.U.L listed for 75 watts
- Made in the U.S.A.



75-WATT PAR36 SPOTLIGHT/FLOODLIGHT SERIES

Specifications

Housing: Lightweight spun aluminum.

Materials: Corrosion-resistant materials and hardware.

Yoke: 14-gauge laser-cut steel.

Rating: 120-volt A/C operation, 0.625 amps, 75 watts maximum (220-240VAC, 50/60 Hz unit available).

Transformer: 75-watt 12-volt dimmable electronic. Short-circuit and thermal protected. Electronic internal resettable protection. Patent-pending automatic heat regulation that also acts as overload protection. Thermal auto-reset 125°C switch.

Cable: 6' total length with molded Edison plug (unless track or canopy options are specified).

Finish: Black TGIC polyester, electrostatic application. White and silver also available.

Weight: Approximately 3 lbs. (1.4 Kg).

Catalog
Number
IQ36

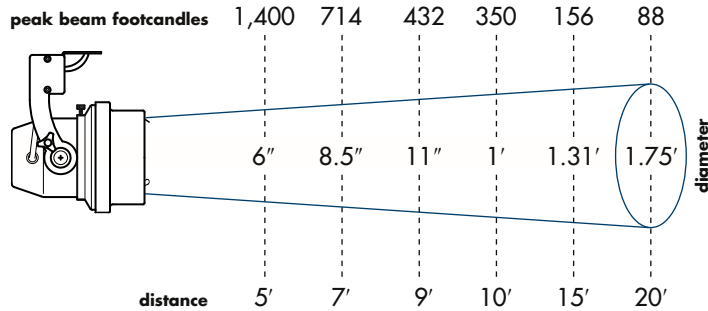
ORDERING INFORMATION

| | | | |
|---------------------|--------------|----------------|------------------|
| Part Number: | model | voltage | color |
| | IQ36 | - | (B)lack |
| | | 110 | (W)hite |
| | | 220 | (S)ilver |
| | | | (X) Custom |

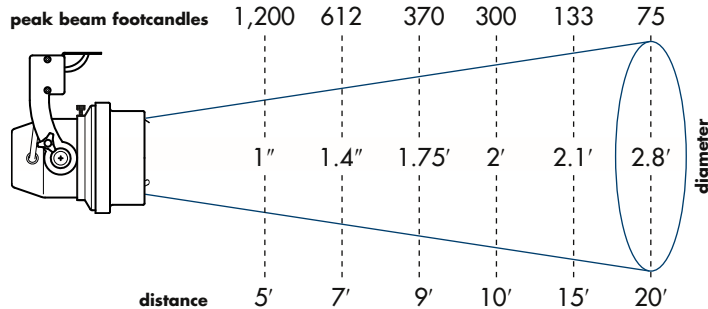
LAMP DATA

| manufacturer lamp code | watts | volts | center beam candlepower | color temp. | rated life (hours) | beam angle |
|------------------------|-------|-------|-------------------------|-------------|--------------------|------------|
| 35AR111/SSP4 | 35 | 12 | 40,000 | 3000°K | 3,000 | 4° |
| 35AR111/SP8 | 35 | 12 | 14,000 | 3000°K | 3,000 | 8° |
| 35AR111/FL25 | 35 | 12 | 2,500 | 3000°K | 3,000 | 45° |
| 50AR111/SSP4 | 50 | 12 | 45,000 | 3000°K | 3,000 | 4° |
| 50AR111/SP8 | 50 | 12 | 20,000 | 3000°K | 3,000 | 8° |
| 50AR111/FL25 | 50 | 12 | 4,000 | 3000°K | 3,000 | 25° |
| 75AR111/SP8 | 75 | 12 | 30,000 | 3000°K | 3,000 | 8° |
| 75AR111/FL25 | 75 | 12 | 5,300 | 3000°K | 3,000 | 25° |
| 75AR111/WFL45 | 75 | 12 | 2,000 | 3000°K | 3,000 | 45° |
| 50PAR36/H/SP5 | 50 | 12 | 35,000 | 4000°K | 3,050 | 5° |
| 50PAR36/H/SP8 | 50 | 12 | 30,000 | 4000°K | 3,050 | 8° |
| 50PAR36/H/FL30 | 50 | 12 | 1,300 | 4000°K | 3,050 | 30° |

PHOTOMETRICS WITH 50PAR36/H/SP5 LAMP



PHOTOMETRICS WITH 75AR111/8/SP LAMP



ACCESSORIES SUPPLIED WITH LUMINAIRE

| | |
|---------|--|
| 70-0458 | Accessory Retainer for 3 3/4" diameter accessories |
| MSC | Mini Safety Cable |

ADDITIONAL ACCESSORIES

| | |
|----------------|---|
| IQ30-CH | Cylindrical Hood |
| IQ30-SCH | Sparkle Cylindrical Hood |
| IQ30-BD4 | 4-Leaf Barn Door |
| IQ30-CF | Color Filter Holder |
| IQ30-LV | 1/4" Honeycomb Louver |
| IQ30-SL | Prismatic Spread Lens |
| IQ30-LSL | Linear Spread Lens |
| IQ30-DCF* | Dichroic Glass Filter (* specify color) |
| IQ30-SGF* | Slit Glass Filter (* specify color) |
| 510-F | Light-Duty Flat Steel Pipe Clamp for 1/4" to 1 1/2" Pipe (includes 5/16" bolt) |
| 510 | Malleable Iron Pipe Clamp for 3/4" to 1 1/2" Pipe (includes 1/2" bolt) |
| MEGA-CLAMP* | Extruded Aluminum Clamp for 3/4" to 2" Pipe (includes 1/2" bolt; * specify black or silver) |
| MINI-CLAMP* | Extruded Aluminum Clamp for 1/2" to 1 1/2" Pipe (includes 3/8" bolt; * specify black or silver) |
| MICRO-CLAMP* | Extruded Aluminum Clamp for 3/8" to 1" pipe (includes 5/16" bolt; * specify black or silver) |
| TLA-166* | Nordic Eco 1-Circuit Track Adapter |
| TLA-TEK68* | Nordic Spec Grade 2-Circuit Track Adapter |
| TLA-XTSA66* | Nordic Spec Grade 3-Circuit Track Adapter |
| TLA-L* | Lightlior Lytespan® 1-Circuit Track Adapter |
| TLA-H* | Halo 1-Circuit Track Adapter |
| 54-SVT183-24CC | Coiled Cord with Edison Connector—24" retracted, 6' extended (factory-installed) |
| | Canopy, Unistrut™, and Stem-Mount Options Available |