

THEMED ARCHITECTURAL LIGHTING

Catalog Number
IQ38*



Fixture Type:

The IQ38 is a compact, specification grade lighting fixture designed for use with Par38 medium screw base lamps up to 250-watt maximum. This attractive fixture is a very efficient means of illuminating and highlighting areas or objects with soft narrow to wide beam spreads, which is a function of the lamp. The IQ38 comes complete with an internal accessory holder for up to 3 accessories and dual swivel positioning system with degree markings. The low-heat, ruggedly handsome IQ38 will accentuate the décor of any architectural venue.

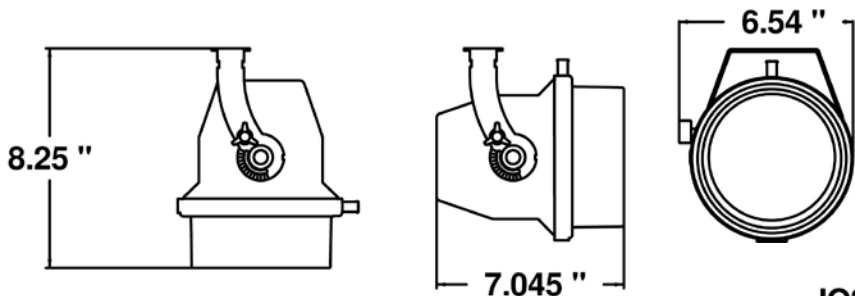
250 WATT*

Architectural IQ38 Spot/Floodlight Series

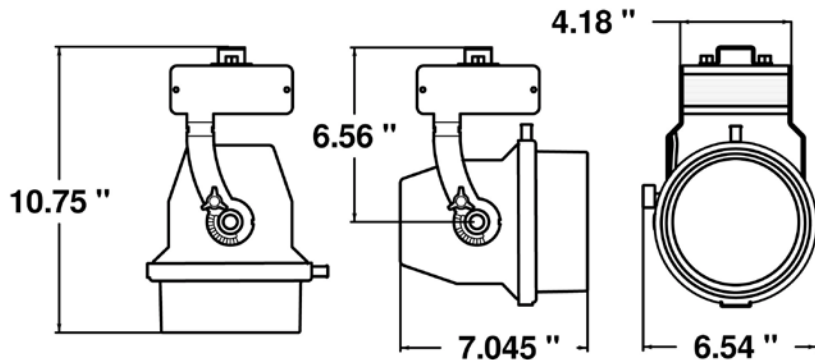
Features:

- Compatible w/ Altman Smart Track™
- Lightweight spun aluminum and laser cut steel
- Tool free re-lamping
- Track, Canopy, Stem and Unistrut options available
- Internal accessory holder and safety cable included
- Degree indicator for tilt angle alignment
- U.L & c.U.L listed for 250 watts
- Made in the USA

IQ38 BASE UNIT



IQ38 WITH SMART TRACK DIMMER



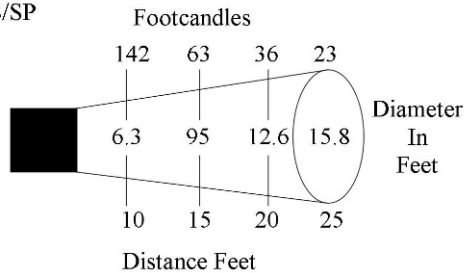
Specifications

Housing: Lightweight spun aluminum.
Materials: Corrosion resistant materials and hardware.
Yoke: 14 gauge laser cut steel.
Rating: 120/240 volts operation 2.5/1.3 amps 250 watts.
Cable: 6' total length with molded Edison plug (unless track or canopy options are specified).
Finish: Black, White or Silver TGIC polyester, electrostatic application. Custom colors available.
Weight: Approx. 5 lbs. (2.3 kg).

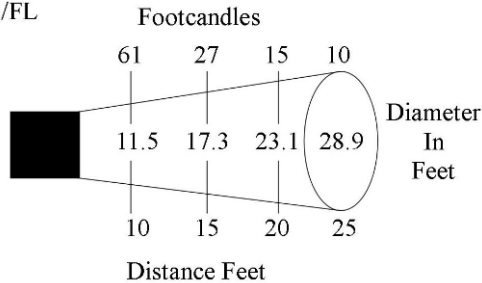
Part Number: IQ38-*.**		
Model	Color *	Additional Factory Installed Option**
IQ38	Black	See Below
	White	
	Custom	

Accessories Supplied with LUMINAIRE	
70-0435	Internal Accessory Holder for 4- ¹¹ / ₁₆ " Dia. Accessories
MSC	Mini Safety Cable

IQ38*
w/250 KR38/SP



IQ38*
w/250 KR38/FL



**** Additional Factory installed options to follow basic IQ38-Color-* part number**

-Y	Two Circuit Smart Track adapter installed with Quartz SCR DMX/RDM addressable dimmer for use on Altman 2 Circuit Smart Track System
TLA-E166	Nordic Eco 1 Circuit Track Adapter
TLA-TEK100	Nordic Spec Grade 2 Circuit Track Adapter
TLA-GA100UL	Nordic Spec Grade 3 Circuit Track Adapter
TLA-L	Lightolier Lytespan® 1 Circuit Track Adapter
TLA-H	Halo 1 Circuit Track Adapter
54-SVT183-24CC	Coiled Cord with Edison Connector - 24" retracted, 6 foot extended factory Installed
Canopy	5" Diameter Canopy with universal mounting bracket
Unistrut™	Unistrut™ bracket installed – spring nuts by others
Stem	Custom stem to canopy mount available – Max length 6'
IQ38-KR-*	Kicker Reflector/ Wall Wash accessory

Additional Accessories

IQ38-CH	Cylindrical Hood
IQ38-SCH	Sparkle Cylindrical HOOD
IQ38-BD4	4 Leaf Barn Door
IQ38-CF	Color Filter Holder
IQ38-LV	¼" Honeycomb Louver
IQ38-SL	Prismatic Spread Lens
IQ38-LSL	Linear Spread Lens
IQ38-DCF *	Dichroic Glass Filter *Specify Color
IQ38-SGF *	Slit Glass Filter *Specify Color
IQ38-LBS - *	IQ38 Light Blocking Screen -*20, 30 or 40 %
510-F	Light Duty Flat Steel Pipe Clamp: for ¼" to 1-1/2" Pipe, includes 5/16" Bolt
510	
MEGA-CLAMP - *	Malleable Iron Pipe Clamp: ¾" to 1-1/2" Pipe, includes ½" Bolt
	Extruded Aluminum Clamp for ¾" to 2" Pipe, includes ½" Bolt
	*Specify Black or Silver
MINI-CLAMP - *	Extruded Aluminum Clamp for ½" to 1-1/2" Pipe, includes 3/8" Bolt
	*Specify Black or Silver
MICRO-CLAMP - *	Extruded Aluminum Clamp for 3/8" to 1" Pipe, includes 5/16" Bolt
	*Specify Black or Silver

Lamp Data for IQ38

Manufacturer Lamp Code	Watts	Candlepower (Candela)	Color Temp (°K)	Rated Life (Hours)	Field Angle (Degrees°)
120PAR/CAP/FL30°	120	4,600	2950	3,000	30°
120PAR/CAP/SP9°	120	22,500	2950	3,000	9°
250KR38/FL	250	6,100	2850	4,000	60°
250KR38/SP	250	14,200	2850	4,000	35°
Q250PAR38/FL	250	6,500	2900	6,000	60°
Q250PAR38/SP	250	28,000	2900	6,000	24°