

THEMED ARCHITECTURAL LIGHTING

Catalog Number

IQ64*



Fixture Type:

The IQ64 is a compact, specification grade lighting fixture designed for use with Par64 lamps 500 -watt maximum. This attractive fixture is a very efficient means of illuminating and highlighting areas or objects with soft narrow to wide beam spreads, which is a function of the lamp. Tool free beam rotation is provided for the characteristic oval shape of medium and wide Par lamps. The IQ64 comes complete with an internal accessory holder for up to 3 accessories and dual swivel positioning system with degree markings. The low-heat, ruggedly handsome IQ64 will accentuate the décor of any architectural venue.

500 WATT

Architectural IQ64

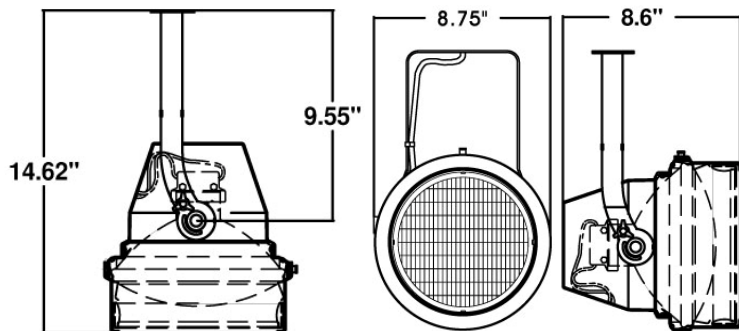
Spot/ Floodlight Series

IQ64 specification subject to change without notice.

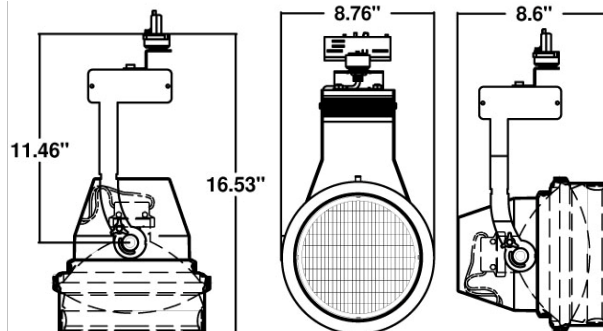
Features:

- Compatible w/ Altman Smart Track™
- Lightweight spun aluminum and laser cut steel
- Tool free re-lamping & locking beam rotation
- Track, Canopy, Stem and Unistrut mount options
- Internal holder for up to 3 x 7-7/16" diameter accessories
- ETL and cETL listed for 500 watts
- Made in the USA

IQ64 Base Fixture



IQ64 Smart



Architectural IQ64 SPOT/FLOODLIGHT SERIES

Specifications

Housing: Lightweight spun aluminum.

Materials: Corrosion resistant materials and hardware.

Yoke: 14 gauge laser cut steel.

Socket: Mogul-End prong, tool free re-lamping.

Rating: 120/240 volts operation 4.2/2.1 amps 500watts max.

Cable: 6' total length with molded Edison plug (unless track or canopy options are specified).

Finish: Black, White or Silver TGIC polyester, electrostatic application. Custom colors available.

Weight: Approx. 5 lbs. (2.3 kg).

****Additional Factory Installed Options to Follow basic IQ64-Color-* part number**

-Y	Two Circuit Smart Track adapter installed with Quartz SCR DMX/RDM addressable dimmer 2 Circuit Smart Track System
TLA-E166	Nordic Eco 1 Circuit Track Adapter
TLA-TEK100	Nordic Spec Grade 2 Circuit Track Adapter
TLA-GA100UL	Nordic Spec Grade 3 Circuit Track Adapter
TLA-L	Lightolier Lytespan 1 Circuit Track Adapter
TLA-H	Halo 1 Circuit Track Adapter
54-SVT183-24CC	Colied Cord with Edison Connector—24" retracted, 6 foot extended Factory installed
Canopy	5" Diameter Canopy with universal mounting bracket
Unistrut	Unistrut bracket installed—spring nuts by others
Stem	Custom Stem to Canopy mount available—Max length 6'

Part Number: IQ64-*-**		
Model	Color*	Additional Factory Installed Option**
IQ64	Black	See Below
	White	
	Silver	
	Custom	

Accessories Supplied with LUMINAIRE

70-0435 MSC	Internal Accessory Holder for 7-7/16" Dia. Accessories Mini Safety Cable
----------------	---

Additional Accessories

IQ64-CH	Cylindrical Hood
IQ64-SCH	Sparkle Cylindrical Hood
IQ64-BD4	4 Leaf Barn Door
IQ64-CF	Color Filter Holder
IQ64-LV	1/4" Honeycomb Louver
IQ64-SL	Prismatic Spread Lens
IQ64-LSL	Linear Spread Lens
IQ64-DGF-*	Dichroic Glass Filter *Specify Color
IQ64-SGF-*	Slit Glass Filter *Specify Color
IQ64-LBS-*	IQ64 Light Blocking Screen—*20, 30 or 40%
510-F	Light Duty Flat Steel Pipe Clamp: for 1/4" to 1-1/2" Pipe
510	Malleable Iron Pipe Clamp: 3/4" to 1-1/2" Pipe, includes 1/2" Bolt
MEGA-CLAMP-*	Extruded Aluminum Clamp for 3/4" to 2" Pipe, includes 1/2" Bolt *Specify Black or Silver
MINI-CLAMP*	Extruded Aluminum Clamp for 1/2" to 1-1/2" Pipe, includes 3/8" Bolt *Specify Black or Silver
MICRO-CLAMP*	Extruded Aluminum Clamp for 3/8" to 1" Pipe, includes 5/16" Bolt *Specify Black or Silver

Photometric Data For IQ64

Distance	10'			20'			30'			40'			50'			60'		
	Center Beam fc	HT. ft.	W. ft.	Center Beam fc	HT. ft.	W. ft.	Center Beam fc	HT. ft.	W. ft.	Center Beam fc	HT. ft.	W. ft.	Center Beam fc	HT. ft.	W. ft.	Center Beam fc	HT. ft.	W. ft.
500 PAR64/NSP	1,100	2.3	3.5	275	4.6	7.1	122	6.8	10.6	69	9.1	14.1	44	11.4	17.6	—	—	—
500 PAR64/MFL	350	3.5	6.3	88	7.1	12.6	39	10.6	18.9	22	14.1	25.2	14	17.6	31.5	—	—	—
500 PAR64/WFL	120	6.3	12.7	30	12.6	25.5	13	18.9	38.2	8	25.2	51.0	5	31.5	63.7	—	—	—

Lamp Information

Watts	ANSI Code	Manufacturer Lamp Code	Color Temp. (°K)	Rated Life (hrs)	Rated Lumens	Beam Shape	Candlepower (cd)	Beam Angle	Field Angle
500	—	500 PAR64/NSP	2800	2000	3000	NSP	110,000	7°X12°	13°X20°
500	—	500 PAR64/MFL	2800	2000	3400	MFL	35,000	11°X13°	20°X35°
500	—	500 PAR64/WFL	2800	2000	3500	WFL	12,000	20°X42°	35°X65°