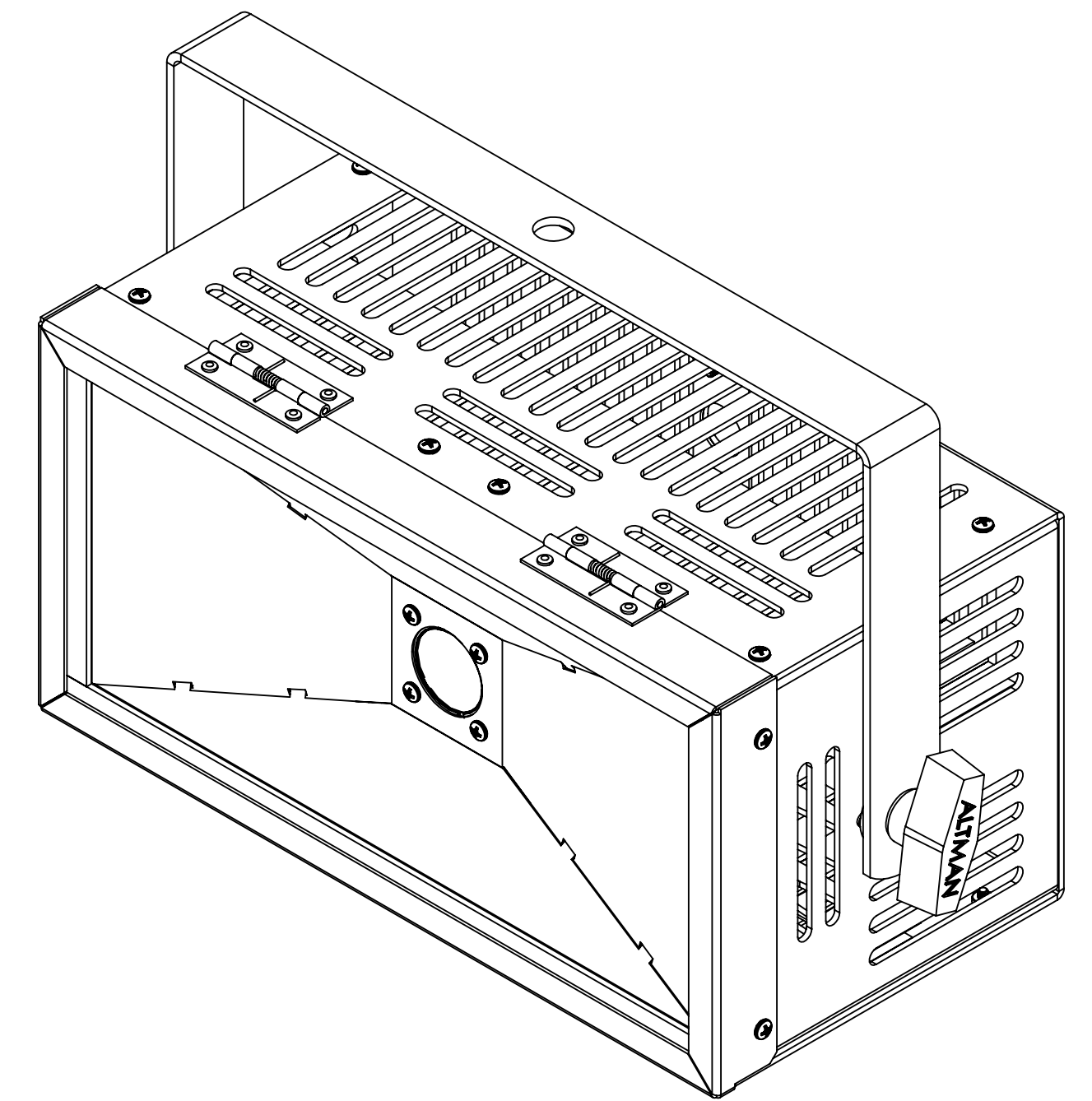
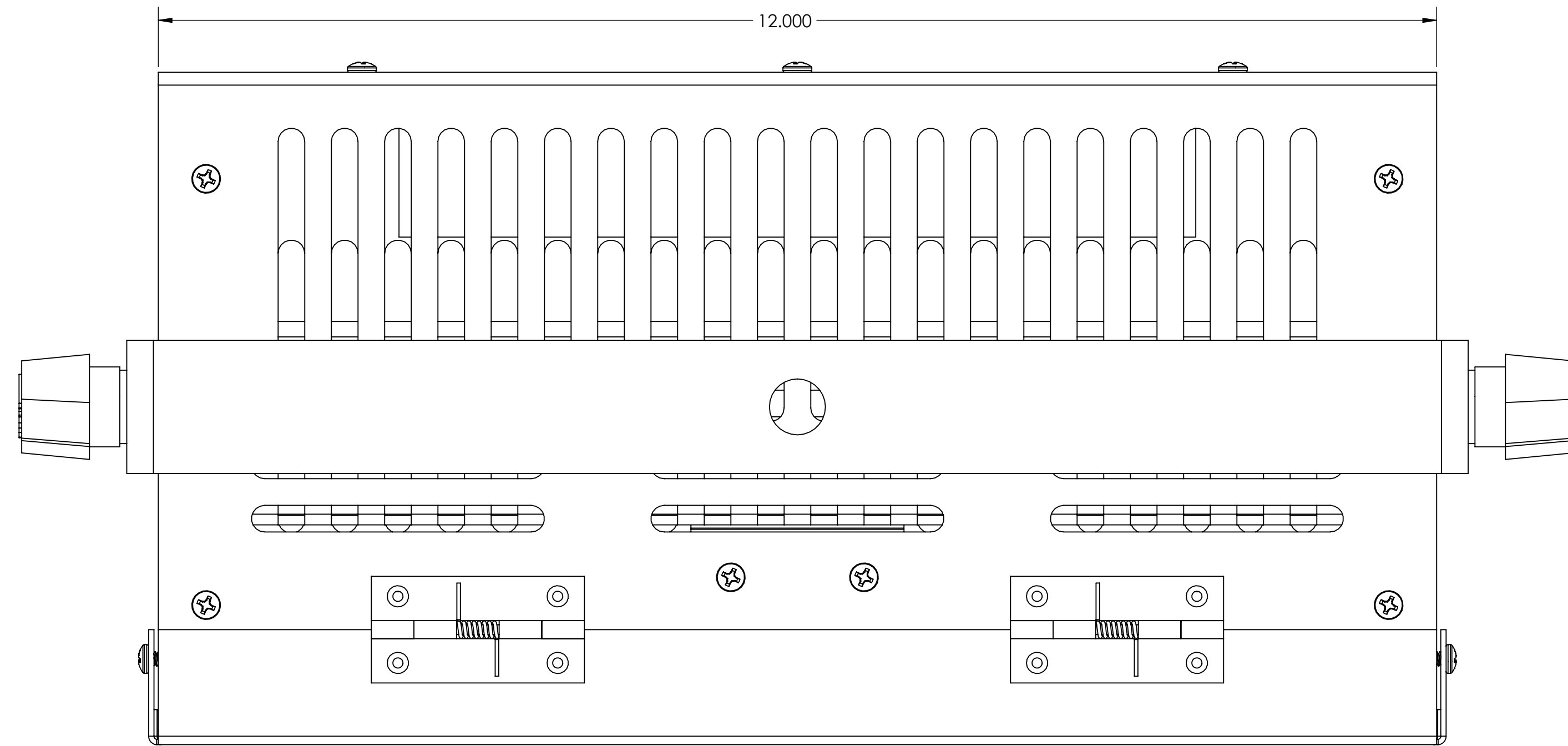
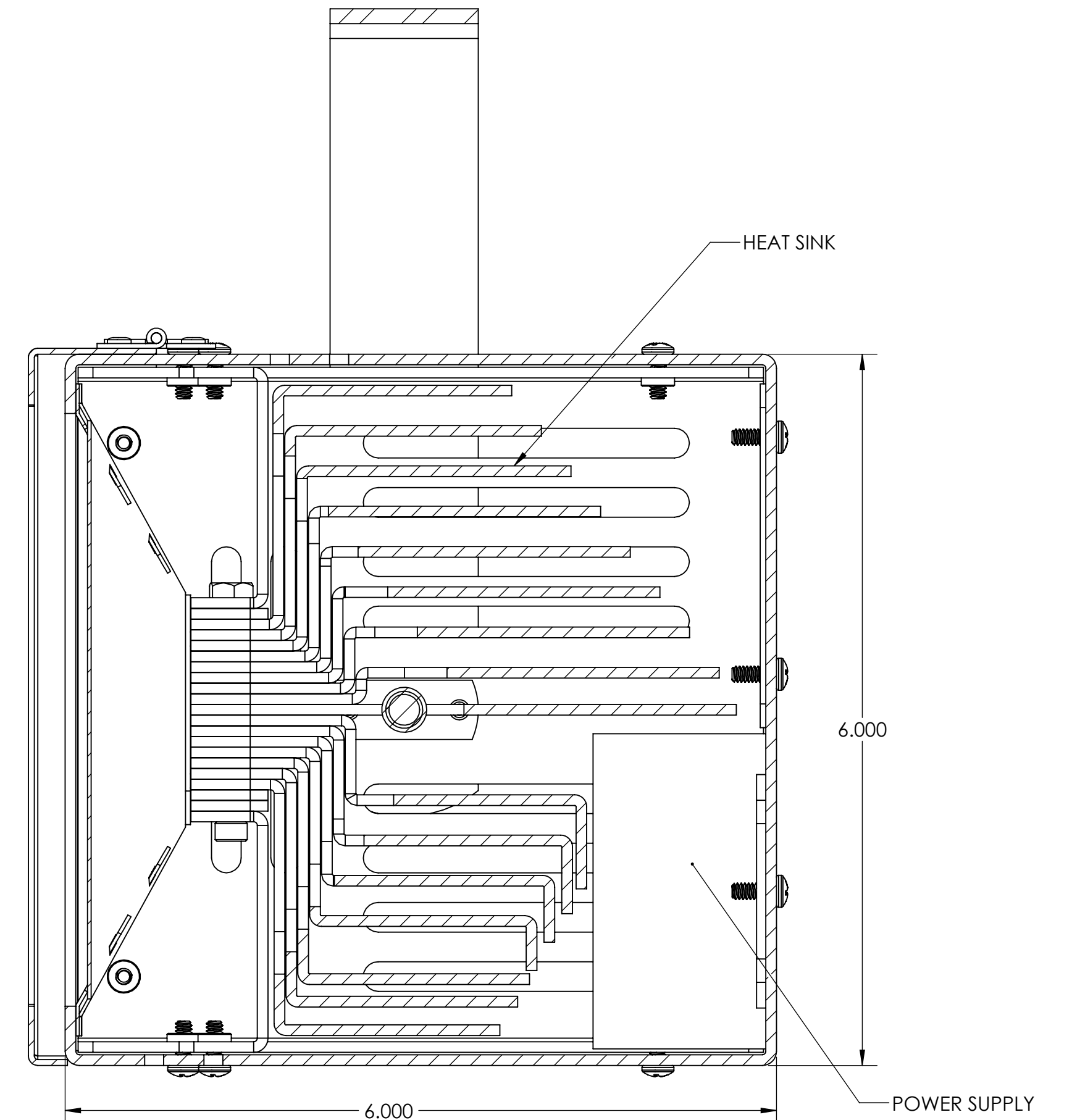
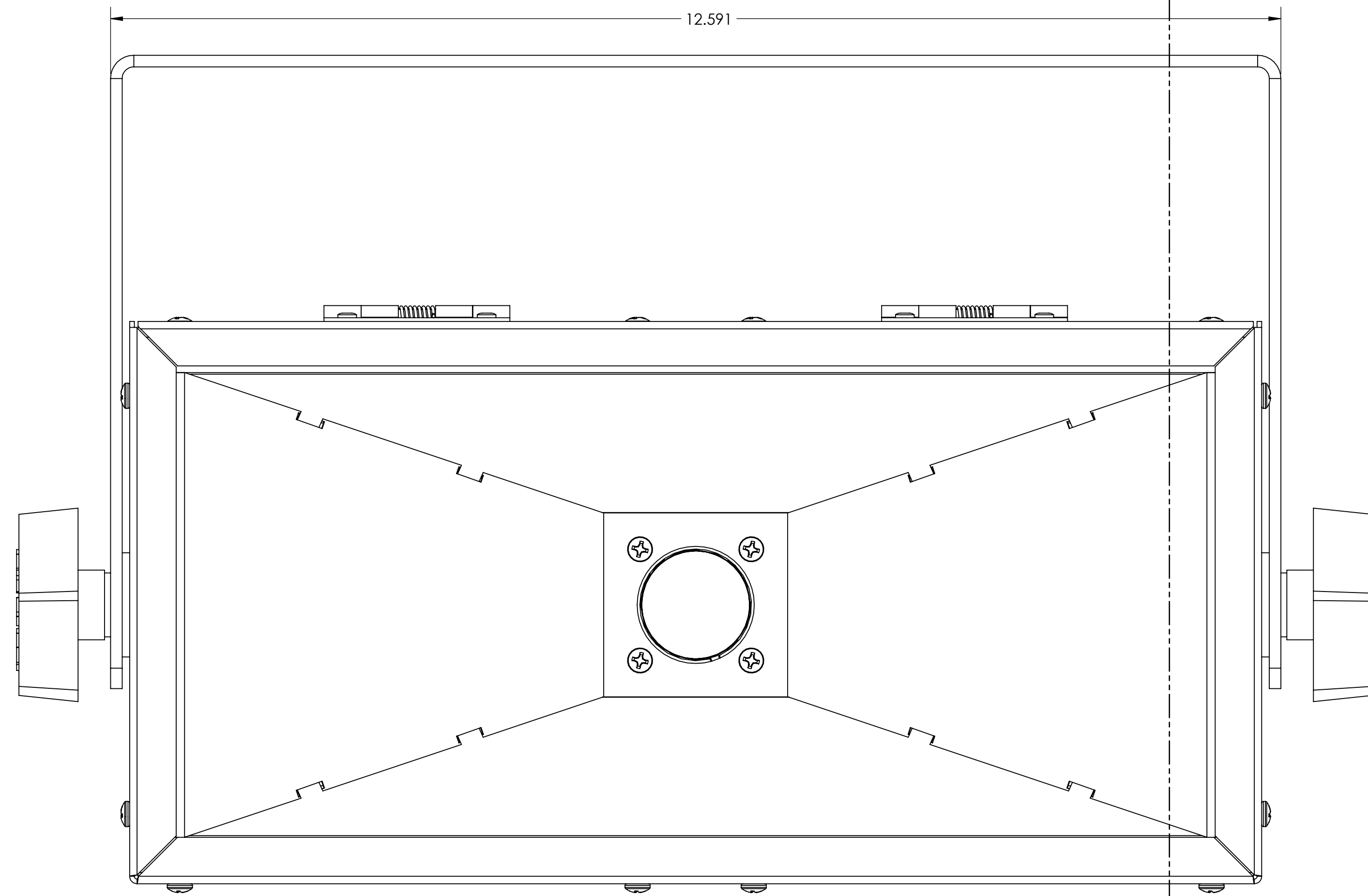
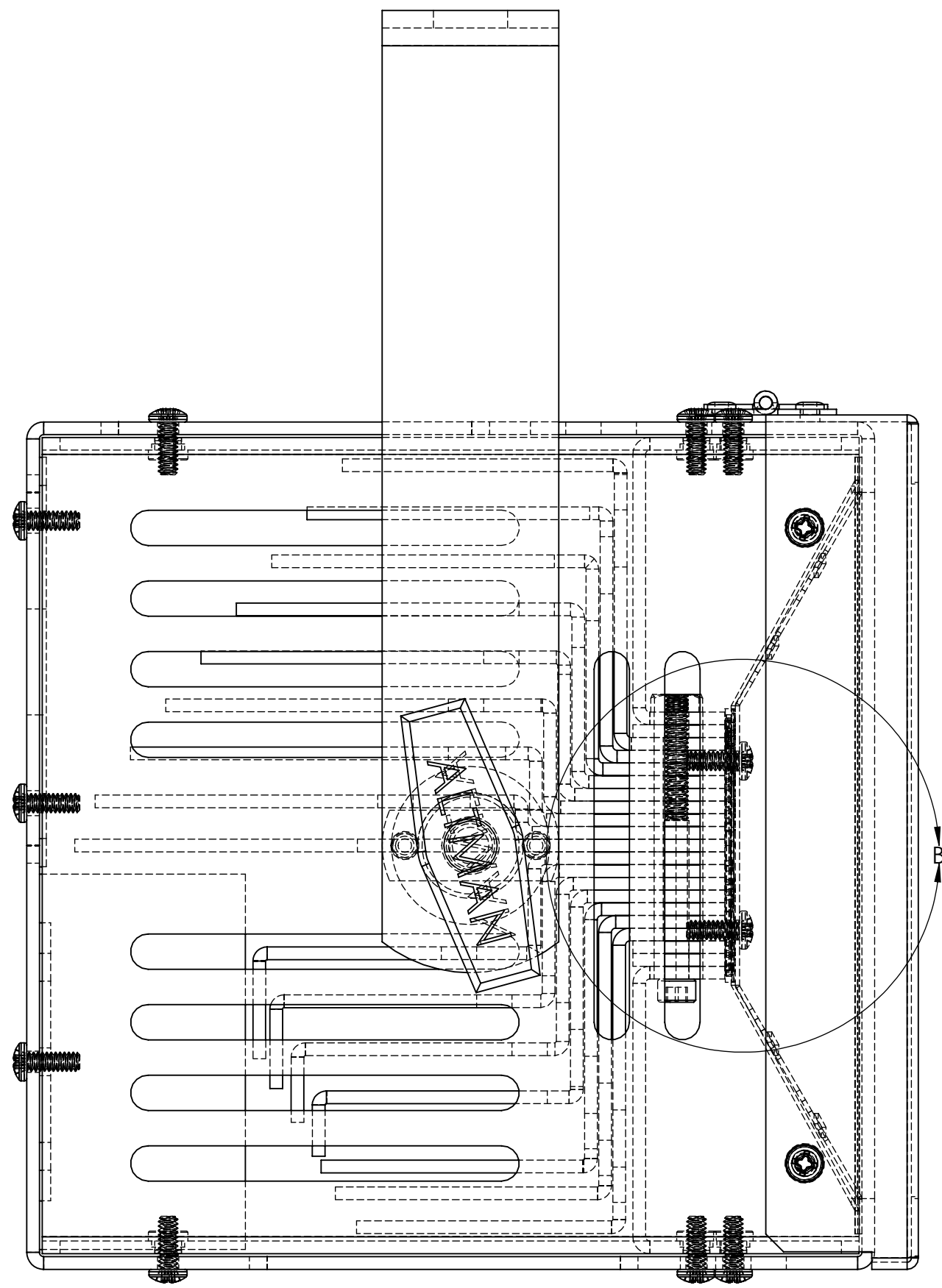


DETAIL B
SCALE 2:1



SCALE 1:2



SECTION A-A

UNLESS OTHERWISE SPECIFIED: DIMENSIONS ARE IN INCHES TOLERANCES: FRACTIONAL ± 1/16 ANGULAR: MACH ± 1° BEND ± 1° TWO PLACE DECIMAL ± 0.00 THREE PLACE DECIMAL ± 0.010 FINISH 125 INTERPRET GEOMETRIC TOLERANCING PER: ASME Y14.5 MATERIAL: THIRD ANGLE PROJECTION	NAME	DATE	ALTMAN STAGE LIGHTING TITLE:	
	DRAWN	RAM		12/19/2013
	CHECKED	-		-
	ENG APPR.	-		-
MFG APPR.	-	-	COMMENTS: SIMILAR TO:-	
D.A.	-	-		
SIZE DWG. NO. REV B CDP-WL-130 00			SCALE: 1:1 WEIGHT: SHEET 1 OF 1	
PROPRIETARY AND CONFIDENTIAL THE INFORMATION CONTAINED IN THIS DRAWING IS THE SOLE PROPERTY OF ALTMAN STAGE LIGHTING. ANY REPRODUCTION IN PART OR AS A WHOLE WITHOUT THE WRITTEN PERMISSION OF ALTMAN STAGE LIGHTING IS PROHIBITED.				