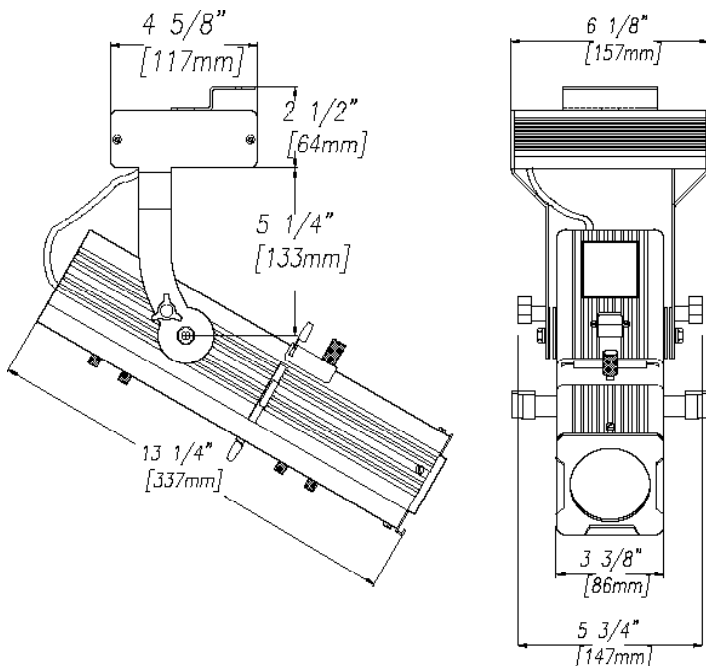


## SUMMARY

The ME4 Plus ellipsoidal is a high efficiency LED framing projector with a 20°-40° variable zoom focus. Utilizing a 30W - 2700K, 3000K, 4000K or 5000K LED source with an expected life of 50,000 hours, the ME4 Plus features bright and crisp pattern or graphic projections via optional steel or glass E size patterns.

The dual lenses of the ME4 Plus feature an anti-reflective coating and move smoothly on guide rods. Four framing shutters are provided for precise shaping of the projected light.

The ME4 Plus' high efficiency, small size and precision optics make it perfect for museums, retail, restaurant and other venues requiring a small ellipsoidal framing projector.



## FEATURES

- Altman Smart Track compatible
- Track, Canopy and Unistrut options
- High efficiency 2700K, 3000K, 4000K and 5000K LED white light source (90 CRI)
- 20°-40° zoom optics
- Four framing shutters with insulated handles
- Color frame and safety cable included
- Accepts steel or glass E sized patterns or 50,000 hour rated life for 30W LED source
- Dimmable (10-100%) on Smart Track utilizing DMX or 0-10V. Non-Dimmable with standard track, canopy and portable luminaire options
- ETL, cETL and CE listed for indoor use
- Made in the USA

## SPECIFICATIONS

**Materials:** Corrosion-resistant materials and hardware.

**Housing:** Ribbed aluminum extrusions.

**Light Engine:** 30W - 2700K, 3000K, 4000K or 5000K White. (90 CRI)

**Lenses:** Movable lenses mounted on lens carriers with Teflon glide bearings.

**Rating:** 0.25 Amp @ 120 Volts AC operation, 0.15 Amp @ 220 Volts AC Operation, 0.12 Amp @ 277 Volts AC operation.

**Cable:** 6' -0" pigtail with male Edison plug (unless track adapter or other connector is specified).

**Shutters:** Galvanized steel, fully adjustable and removable with heat resistant lenses.

**Lens Focusing:** Lens movements contained within body, adjustable with heat resistant handles.

**Accessories:** External front slot accepts 3-3/8" square by 1/8" thick accessories. Internal pattern slot accepts size E (37.5mm) patterns with Altman pattern holder (MAPH-G).

**Finish:** Black, White or Silver TGIC polyester electrostatic application. Custom colors available.

**Weight:** Approx. 6 lbs.

Standard Fixture	
ME4PL-*_*_*_*_*_*_*_*_*_*	ME4 Plus LED Profile
* (Color Temperature)	2K=2700K, 3K=3000K, 4K=4000K or 5K=5000K
** (Body Color)	Add the following code for Body Color: B=Black, W=White, Silver, C=Custom
*** (Control)	D=DMX, 0=0-10V
**** (Voltage)	120V=100 -120 VAC 240V= 220-240VAC 277V - (0-10V/ND Control Only)
Track Adapted Fixture	
ME4PLY-*_*_*_*_*_*_*_*_*_*	Track adapted ME4 Plus LED Profile
* (Color Temperature)	2K=2700K, 3K=3000K, 4K=4000K or 5K=5000K
** (Body Color)	Add the following code for Body Color: B=Black, W=White, Silver, C=Custom
*** (Control)	D=DMX (120 & 240V applications only), 0=0-10V
**** (Voltage)	120V= 100 -120 VAC 240V= 220 - 240VAC 277V - (0-10V/ND Control Only)
Non-Dim Fixture	
ME4PL-*_*_*_*_*_*_*_*_*_*	Non-Dim ME4 Plus LED Profile
* (Color Temperature)	2K=2700K, 3K=3000K, 4K=4000K or 5K=5000K
** (Body Color)	Add the following code for Body Color: B=Black, W=White, Silver, C=Custom
*** (Voltage)	120V= 100 -120 VAC 240V= 220 - 240VAC 277V - (0-10V/ND Control Only)

## ACCESSORIES

Additional Accessories	Description
MCF	Color frame, 3-3/8" x 3-3/8"
MSC	Mini Safety Cable, 18"
MBD	4-Way Barn Doors
MECT	Beam reducing circular template
MAPH-G	Pattern holder, 1-1/4" diameter E size opening
MA-DN	3-3/8" x 3-3/8" donut, black, with 1-3/4" opening
510-F	Light duty flat steel pipe clamp: fits 3/4" to 1-1/2" pipe
510	Malleable iron pipe clamp: fits 3/4" to 2" pipe, includes 1/2" bolt
MEGA-CLAMP-*	Extruded aluminum clamp: fits 3/4" to 2" pipe, includes 1/2" bolt. *-Specify Black or Silver
MINI-CLAMP	Extruded aluminum clamp: fits 1/2" to 1-1/2" pipe, includes 3/8" bolt. *-Specify Black or Silver
MICRO-CLAMP-*	Extruded aluminum clamp: fits 3/8" to 1" pipe, includes 5/16" bolt. *-Specify Black or Silver

# PHOTOMETRIC PERFORMANCE

## ENGINE: 2.7K, 3K, 4K, 5K Sources

### 2,700 Kelvin Spot (20 Degrees)

Throw Distance (d)	4' 1.22m	6' 1.83m	8' 2.44m	10' 3.05m
Beam Size Diameter	1'-9" 0.535m	2'-8" 0.802m	3'-6" 1.069m	4'-5" 1.337m
Illuminance = fc (Illuminance = lux)	132.00 (1,420.8)	58.67 (631.5)	33.00 (355.2)	21.12 (227.3)

### 2,700 Kelvin Medium (30 Degrees)

Throw Distance (d)	4' 1.22m	6' 1.83m	8' 2.44m	10' 3.05m
Beam Size Diameter	2'-4" 0.713m	3'-6" 1.069m	4'-8" 1.416m	5'-10" 1.782m
Illuminance = fc (Illuminance = lux)	87.57 (942.6)	38.92 (418.9)	21.89 (235.7)	14.01 (150.8)

### 2,700 Kelvin Wide (40 Degrees)

Throw Distance (d)	4' 1.22m	6' 1.83m	8' 2.44m	10' 3.05m
Beam Size Diameter	2'-11" 0.891m	4'-5" 1.337m	5'-10" 1.782m	7'-4" 2.228m
Illuminance = fc (Illuminance = lux)	59.90 (644.8)	26.62 (286.6)	14.98 (161.2)	9.58 (103.2)

### 3,000 Kelvin Spot (20 Degrees)

Throw Distance (d)	4' 1.22m	6' 1.83m	8' 2.44m	10' 3.05m
Beam Size Diameter	1'-9" 0.535m	2'-8" 0.802m	3'-6" 1.069m	4'-5" 1.337m
Illuminance = fc (Illuminance = lux)	139.13 (1,497.6)	61.84 (665.6)	34.78 (374.4)	22.26 (239.6)

### 3,000 Kelvin Medium (30 Degrees)

Throw Distance (d)	4' 1.22m	6' 1.83m	8' 2.44m	10' 3.05m
Beam Size Diameter	2'-4" 0.713m	3'-6" 1.069m	4'-8" 1.416m	5'-10" 1.782m
Illuminance = fc (Illuminance = lux)	92.30 (993.5)	41.02 (441.6)	23.07 (248.4)	14.77 (159.0)

### 3,000 Kelvin Wide (40 Degrees)

Throw Distance (d)	4' 1.22m	6' 1.83m	8' 2.44m	10' 3.05m
Beam Size Diameter	2'-11" 0.891m	4'-5" 1.337m	5'-10" 1.782m	7'-4" 2.228m
Illuminance = fc (Illuminance = lux)	63.14 (679.6)	28.06 (302.0)	15.78 (169.9)	10.10 (108.7)

### 4,000 Kelvin Spot (20 Degrees)

Throw Distance (d)	4' 1.22m	6' 1.83m	8' 2.44m	10' 3.05m
Beam Size Diameter	1'-9" 0.535m	2'-8" 0.802m	3'-6" 1.069m	4'-5" 1.337m
Illuminance = fc (Illuminance = lux)	148.97 (1,603.5)	66.21 (712.7)	37.24 (400.9)	23.84 (256.6)

### 4,000 Kelvin Medium (30 Degrees)

Throw Distance (d)	4' 1.22m	6' 1.83m	8' 2.44m	10' 3.05m
Beam Size Diameter	2'-4" 0.713m	3'-6" 1.069m	4'-8" 1.416m	5'-10" 1.782m
Illuminance = fc (Illuminance = lux)	98.83 (1,063.8)	43.92 (472.8)	24.71 (265.9)	15.81 (170.2)

### 4,000 Kelvin Wide (40 Degrees)

Throw Distance (d)	4' 1.22m	6' 1.83m	8' 2.44m	10' 3.05m
Beam Size Diameter	2'-11" 0.891m	4'-5" 1.337m	5'-10" 1.782m	7'-4" 2.228m
Illuminance = fc (Illuminance = lux)	67.60 (727.7)	30.05 (323.4)	16.90 (181.9)	10.82 (116.4)

### 5,000 Kelvin Spot (20 Degrees)

Throw Distance (d)	4' 1.22m	6' 1.83m	8' 2.44m	10' 3.05m
Beam Size Diameter	1'-9" 0.535m	2'-8" 0.802m	3'-6" 1.069m	4'-5" 1.337m
Illuminance = fc (Illuminance = lux)	154.06 (1,658.3)	68.47 (737.0)	38.52 (414.6)	24.65 (265.3)

### 5,000 Kelvin Medium (30 Degrees)

Throw Distance (d)	4' 1.22m	6' 1.83m	8' 2.44m	10' 3.05m
Beam Size Diameter	2'-4" 0.713m	3'-6" 1.069m	4'-8" 1.416m	5'-10" 1.782m
Illuminance = fc (Illuminance = lux)	102.20 (1,100.1)	45.42 (488.9)	25.55 (275.2)	16.35 (176.0)

### 5,000 Kelvin Wide (40 Degrees)

Throw Distance (d)	4' 1.22m	6' 1.83m	8' 2.44m	10' 3.05m
Beam Size Diameter	2'-11" 0.891m	4'-5" 1.337m	5'-10" 1.782m	7'-4" 2.228m
Illuminance = fc (Illuminance = lux)	69.91 (752.5)	31.07 (334.5)	17.48 (188.1)	11.19 (120.4)