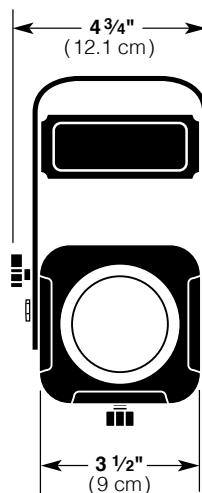
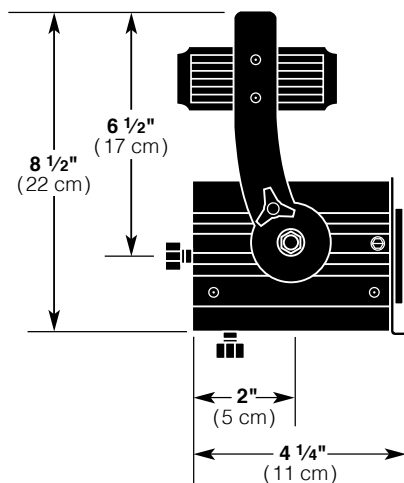


Fixture Type:

The Micro Flood is a lightweight soft-edged spotlight designed to produce narrow to wide beam spreads up to 15 feet away. The luminaire utilizes the popular MR-16 family of dichroic reflector lamps which are ideal for lighting floral arrangements, window displays, and nightclubs. The narrow to wide beam spreads are a result of the type of MR-16 lamp that is selected.

Specifications subject to change without notice



20-75 WATT
MICRO FLOOD
MR-16

Features

- Die-cast aluminum components
- Attractive extruded aluminum housing
- Push-on type two-pin ceramic socket
- Dimmable 75W, 12V short circuit and thermal protected electronic transformer
- Tool free lamp centering
- Adaptable to most track systems
- Color frame and safety cable with spring clip included
- U.L., c.U.L and CE listed for 75 watts
- Made in the USA

Specifications

Housing: Ribbed aluminum extrusion and die-cast aluminum construction.

Materials: Construction employs corrosion-resistant materials and SAE hardware. All handles are heat resistant phenolic.

Yoke: 1" x 1/8" aluminum yoke with clearance hole for 1/2 inch bolt.

Socket: GX5.3, with heat shield.

Rating: 120 volts A/C operation, .625 amps, 75 watts maximum (220–240 VAC, 50/60 Hz unit available).

Transformer: 75W, 12V dimmable electronic transformer. Short circuit and thermal protected. Electronic internal resettable protection. Patent pending auto heat regulation that also acts as overload protection. Thermal auto-reset 125°C switch.

Cable: 6' total length with molded male edison plug (unless track adapter specified).

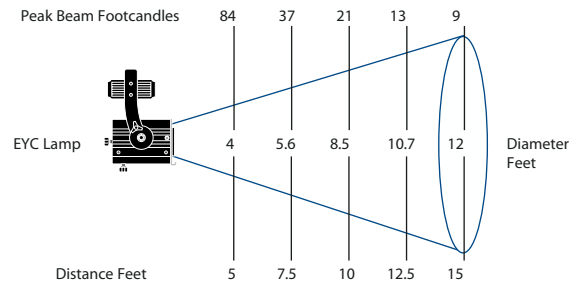
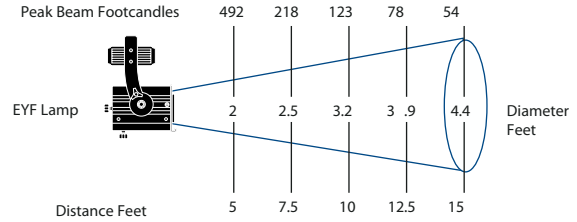
Lamp Replacement: Lamp replacement performed without the use of tools.

Focusing: Adjustable with heat resistant knob on bottom surface.

Accessories: Accepts 3/4" dia. accessories.

Finish: Black epoxy sandtex, electrostatic application.

Weight: Approx; 3 lbs. (1.4 kg.)



Actual Photometrics Differ Slightly Among Lamp Manufacturers.

ACCESSORIES Supplied with Luminaire	
MCF	Color Frame
MAC-SC	Safety Cable 18"

LAMP DATA

Lamp Type	Watts	Volts	Rated Life (Hours)	Beam Angle (Degrees)	Field Angle (Degrees)	Correction Factor
EYF	75	12	4000	14°	24°	1.00
EYJ	75	12	4000	25°	35°	1.00
EYC	75	12	4000	42°	64°	1.00
EXT	50	12	5000	14°	24°	.79
EXN	50	12	5000	40°	64°	.79
EZX	20	12	4000	7°	12°	.22
BAB	20	12	4000	40°	59°	.22

ADDITIONAL ACCESSORIES	
510-F	Pipe Clamp
MBD	4-way Barn Doors
TLA-J	Juno Track Adapter Installed
TLA-H	Halo Track Adapter Factory Installed
TLA-L	Lightolier Track Adapter Factory Installed
TLA-E166	Nordic Eco 1 Circuit, Factory Installed
TLA-TEK67	Nordic Spec Grade 2 Circuit, Factory Installed
TLA-XTSA66	Nordic Spec Grade 3 Circuit, Factory Installed
MICRO-SN	Snoot