



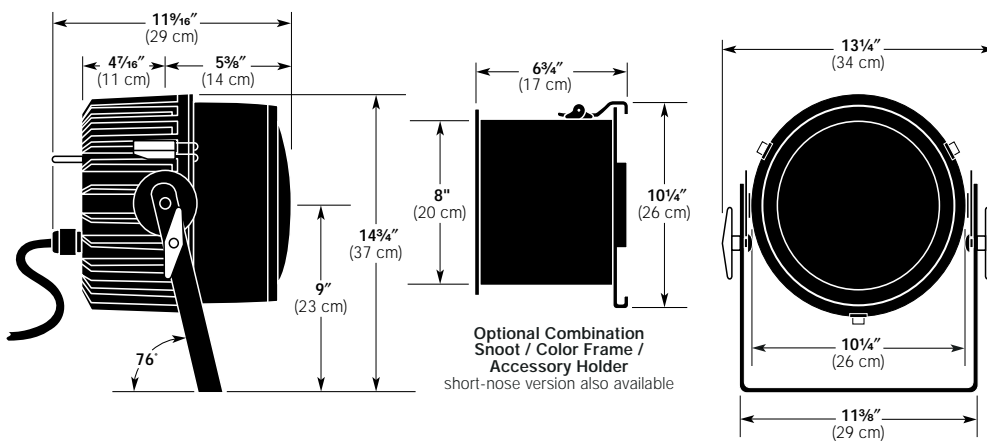
#### Fixture Type:

The Altman UV-150 is a compact, high-output blacklight, designed to provide high-intensity illumination of fluorescent materials at distances of up to 40 feet. The fixture is sealed and designed for wet locations, and does not require any fans for cooling, resulting in extremely quiet operation. An electronic ballast is integrated into the housing. The unit is wired with 14/3 Hi-Temp rubber cable, and is supplied with a clear safety lens.

Specifications subject to change without notice.

## 150-WATT OUTDOOR BLACKLIGHT Features

- Cast and spun aluminum construction
- Designed for portable or permanent, wet or damp installations
- Tool-free 360° lens rotation
- UV filter lens
- Five interchangeable spread lenses available—very narrow spot through wide flood supplied with luminaire
- High-grade aluminum reflector polished to a mirror finish
- Axially mounted G12 lampholder
- Low-wattage lamps and high-efficiency reflectors drastically reduce power consumption and cost
- Two-position yoke adjustment
- Safety cable included
- Combination snoot / color frame / accessory holder available (dimensions below)
- U.L. and c.U.L. listed for 150 watts and suitable for wet location
- Made in the U.S.A.



# 150-WATT OUTDOOR BLACKLIGHT

## Specifications

**Housing:** Cast and spun aluminum with stainless steel fasteners and latches.

**Materials:** Corrosion-resistant materials and hardware.

**Yoke:** Rigid aluminum flat stock with dual locking handles and three mounting holes.

**Reflector:** High-grade aluminum, chemically polished and coated, parabolic design.

**Lens:** 8" (200 mm) borosilicate UV-A filter lens with an additional 8" clear narrow-beam safety lens.

**Socket:** 5 KV pulse-rated.

**Ratings:** 120-volt operation, 50/60 Hz, 150-watt lamp and 150-watt ballast. 240-volt AC and 277-volt AC operation available.

**Ballast:** Aromat 150-watt NAIS DCP electronic, tested and approved by the manufacturer, carrying a full 5-year warranty.

**Cable:** 4' insulated, 3-conductor.

**Lamp Access:** Tool-free by releasing latches and separating the two main castings.

**Focusing:** Function of lens selected; either round or oval beam shapes to be aimed at the intended subject.

**Finish:** Black epoxy Sandtex, electrostatic application.

**Weight:** Approx. 17 lbs. (7.7 Kg).

Catalog  
Number  
UV-150

## ORDERING INFORMATION

model	color	voltage
Part Number: UV-150	( ) Black	
	(W)hite	110
	(S)ilver	240
	(X) Custom	277

## ACCESSORIES SUPPLIED WITH LUMINAIRE

SC-36-BK	Safety Cable with Spring Clip
97-0150	Set of Four Lenses (VNSP, NSP, MFL, WFL)

## ADDITIONAL ACCESSORIES

OD-P64-SN	Combination Snoot / Color Frame Holder with 10"×10" Color Frame	18-0110	Very Narrow Spot Spread Lens (VNSP)
ODC-SN-SHORT	1.5" Short-Nose Combination Frame Holder with 10"×10" Color Frame	18-0111	Narrow Spot Spread Lens (NSP)
8-CF	Additional Color Frame	18-0112	Medium Flood Spread Lens (MFL)
510	Malleable Iron Pipe Clamp	18-0113	Wide Flood Spread Lens (WFL)
510-BLK	Black Malleable Iron Pipe Clamp	18-0114	Very Wide Flood Spread Lens (VWFL)

## LAMP INFORMATION

lamp type	watts	volts (nominal)	volts (striking)	peak spectrum (UV-A)	radiant output (at 1 m)	burn position
MHL150	150	100	4,000	350-450 nm	900 μW/cm <sup>2</sup>	any

## RADIOMETRIC DATA

### WITH 18-0112 MFL LENS

