

## PAR 56 & 64/AL

Altman PARs are low-cost, highly flexible luminaires designed for diverse applications. Intensities and beam spread are a function of the installed light source, so any one unit can serve multiple purposes simply by changing the lamp type.

The smaller size of the PAR56 reduces installation hassles, while the PAR64's optional PAR56/64 adapter ring gives the fixture great versatility. With oval beams and lamp ranges from 300 to 500 watts for the PAR56 and 300 to 1000 watts for the PAR64, these lights are ideal for use in concerts, nightclubs, television and film remotes and architectural applications where maximum flexibility is desired in a small, compact package.

The PAR64-AL is a PAR64 unit constructed from .050-gauge rolled aircraft aluminum to minimize weight without sacrificing durability.

## WASH LIGHTING

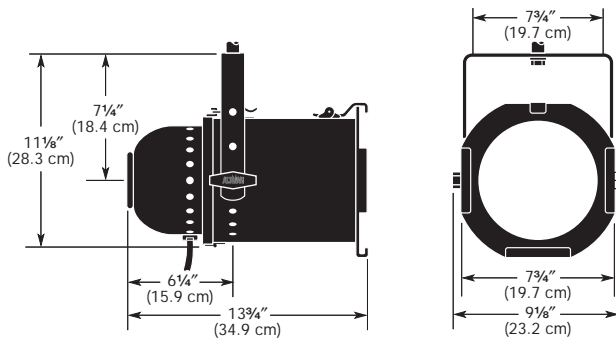
Catalog Numbers

PAR56  
PAR64  
PAR64-AL

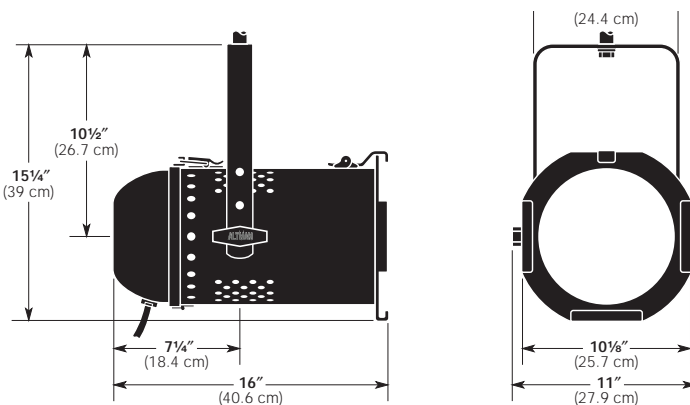


### 300-500 WATT **PAR 56** 300-1000 WATT **PAR 64 & PAR 64-AL** Features

- Constructed of rugged sheet steel (PAR56/64) or rolled aircraft aluminum (PAR64-AL)
- 360° lamp rotation
- Hinged rear cover for easy lamp access
- Spring loaded accessory holder safety latch
- Mogul-end prong socket
- Three position yoke adjustment
- Three 36" Teflon lead wires
- Color frame, wire mesh safety screen and safety cable with spring clip included.
- U.L. and c.U.L. listed for 500 Watts (PAR56) or 1000 Watts (PAR64/AL)
- Made in the USA



PAR56



PAR64 • PAR64-AL



BRINGING IMAGINATION TO LIGHT

57 Alexander St., Yonkers, NY 10701  
© 2012 Altman Stage Lighting, Inc.

Tel: 914-476-7987

Visit our website at [www.altmanlighting.com](http://www.altmanlighting.com)

Model	-	Lamp
	-	

*\*See following page for lamp data*

Project:	Approval Date:
Location:	Fixture Type:

# Specifications:

**Materials:** Construction employs all corrosion-resistant materials and hardware.

**Housing:** Spun, rolled, and stamped steel (PAR56, PAR64) or aluminum (PAR64-AL).

**Yoke:** Rigid flat steel for PAR56 and PAR64, rigid flat aluminum for PAR64-AL.

**Socket:** Mogul-end prong. Tool free relamping.

**Rating:** 120/240 volts AC/DC: 4.2/2.1 amps, 500 watts maximum for PAR56; 8.3/4.2 amps, 1000 watts maximum for PAR64 and PAR64-AL.

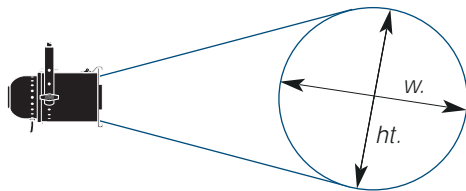
**Cable:** 36" Teflon leads encased in black sleeving.

**Focusing:** Lamp can be rotated 360°.

**Accessories:** Standard 7.5" x 7.5" accessories for PAR56; 10" x 10" accessories for PAR64 and PAR64-AL. Wire mesh safety screen included for PAR56, PAR64 and PAR64-AL.

**Finish:** Black epoxy sandtex, electrostatic application (PAR56 and PAR64) or brushed aluminum finish outside, flat baked black enamel inside (PAR64-AL).

**Weight:** Approx. 9 lbs. (4.1 kg) for PAR56; approx. 11 lbs. (5.0 kg) for PAR64; approx 8 lbs. (3.6 kg) for PAR64-AL.



# Accessories:

Model Number	Supplied with the fixture
6-CFB	Black Color Frame 7.5"x7.5" (PAR56)
8-CFB	Black Color Frame 10"x10" (PAR64/AL)
SC-36-BK	36" Black Safety Cable w/ Spring Clip
Additional Accessories	
510	Malleable Iron Pipe Clamp for 3/4"-1 1/2" Pipe
6-BD-4	4 door, 8 leaf barndoors (PAR56)
6-SN	Snoot, Black (PAR56)
8-BD-4	4 door, 8 leaf barndoors (PAR64/AL)
8-SN	Snoot, Black (PAR64/AL)
PAR56/64-AR	Adapter ring (for PAR64 & PAR64-AL only)

# Lamps:

Watts	ANSI code	Order code	Color temp. (°K)	Rated life (hrs)	Rated lumens	Beam shape	Candlepower (cd)	Beam angle	Field angle
300	--	90-300PAR56/NSP	2800	2000	1,800	NSP	70,000	8°x10°	15°x20°
300	--	90-300PAR56/MFL	2800	2000	2,000	MFL	24,000	11°x23°	20°x35°
300	--	90-300PAR56/WFL	2800	2000	2,100	WFL	10,000	18°x37°	30°x60°
500	--	90-500PAR56/NSP	3000	4000	4,900	NSP	96,000	8°x13°	15°x32°
500	--	90-500PAR56/MFL	3000	4000	5,700	MFL	43,000	10°x26°	20°x42°
500	--	90-500PAR56/WFL	3000	4000	5,725	WFL	19,000	20°x44°	34°x66°
PAR64, PAR64-AL Lamp Information									
500	--	90-500PAR64/NSP	2800	2000	3,000	NSP	110,000	7°x12°	13°x20°
500	--	90-500PAR64/MFL	2800	2000	3,400	MFL	35,000	11°x13°	20°x35°
500	--	90-500PAR64/WFL	2800	2000	3,500	WFL	12,000	20°x42°	35°x65°
1000	--	90-Q1000P64/NSP	3000	4000	8,500	NSP	180,000	8°x15°	14°x31°
1000	--	90-Q1000P64/MFL	3000	4000	10,000	MFL	80,000	12°x28°	22°x45°
1000	--	90-Q1000P64/WFL	3000	4000	13,500	WFL	33,000	24°x48°	45°x72°
1000	FFN	90-FFN	3200	600	11,000	VNSP	400,000	6°x12°	10°x24°
1000	FFP	90-FFP	3200	600	12,000	NSP	330,000	7°x14°	14°x26°
1000	FFR	90-FFR	3200	600	14,000	MFL	125,000	12°x28°	21°x44°
1000	FFS	90-FFS	3200	600	19,000	WFL	40,000	24°x48°	45°x71°

# Photometrics:

Lamp	10'			20'			30'			40'			50'			60'		
	Center beam fc	ht.(')	w.(')	Center beam fc	ht.(')	w.(')	Center beam fc	ht.(')	w.(')	Center beam fc	ht.(')	w.(')	Center beam fc	ht.(')	w.(')	Center beam fc	ht.(')	w.(')
90-300PAR56/NSP	700	2.6	3.5	175	5.3	7.1	78	7.9	10.6	44	10.5	14.1	--	--	--	--	--	--
90-300PAR56/MFL	240	3.5	6.3	60	7.1	12.6	27	10.6	18.9	15	14.1	25.2	--	--	--	--	--	--
90-300PAR56/WFL	100	5.4	11.5	25	10.7	23.1	11	16.1	34.6	6	21.4	46.2	--	--	--	--	--	--
90-500PAR56/NSP	960	2.6	5.7	240	5.3	11.5	107	7.9	17.2	60	10.5	22.9	38	13.2	28.7	--	--	--
90-500PAR56/MFL	430	3.5	7.7	108	7.1	15.4	48	10.6	23.0	27	14.1	30.7	17	17.6	38.4	--	--	--
90-500PAR56/WFL	190	6.1	13.0	48	12.2	26.0	21	18.3	39.0	12	24.5	52.0	8	30.6	65.0	--	--	--
90-500PAR64/NSP	1,100	2.3	3.5	275	4.6	7.1	122	6.8	10.6	69	9.1	14.1	44	11.4	17.6	--	--	--
90-500PAR64/MFL	350	3.5	6.3	88	7.1	12.6	39	10.6	18.9	22	14.1	25.2	14	17.6	31.5	--	--	--
90-500PAR64/WFL	120	6.3	12.7	30	12.6	25.5	13	18.9	38.2	8	25.2	51.0	5	31.5	63.7	--	--	--
90-Q1000P64/NSP	1,800	2.5	5.5	450	4.9	11.1	200	7.4	16.6	113	9.8	22.8	72	12.3	27.7	--	--	--
90-Q1000P64/MFL	800	3.9	8.3	200	7.8	16.6	89	11.7	24.9	50	15.6	33.1	32	19.4	41.4	--	--	--
90-Q1000P64/WFL	330	8.3	14.5	83	16.6	29.1	37	24.9	43.6	21	33.1	58.1	13	41.4	72.7	--	--	--
90-FFN	4,000	1.8	4.3	1,000	3.5	8.5	445	5.3	12.8	250	7.0	17.0	160	8.8	21.3	111	10.5	25.5
90-FFP	3,300	2.5	4.6	825	4.9	9.2	367	7.4	13.9	206	9.8	18.5	132	12.3	23.1	92	14.8	27.7
90-FFR	1,250	3.7	8.0	313	7.4	16.2	139	11.1	24.3	78	14.8	32.3	50	18.5	40.4	35	22.2	48.5
90-FFS	400	8.3	14.3	100	16.6	28.5	44	24.9	42.8	25	33.1	57.0	16	41.4	71.3	11	49.7	85.6