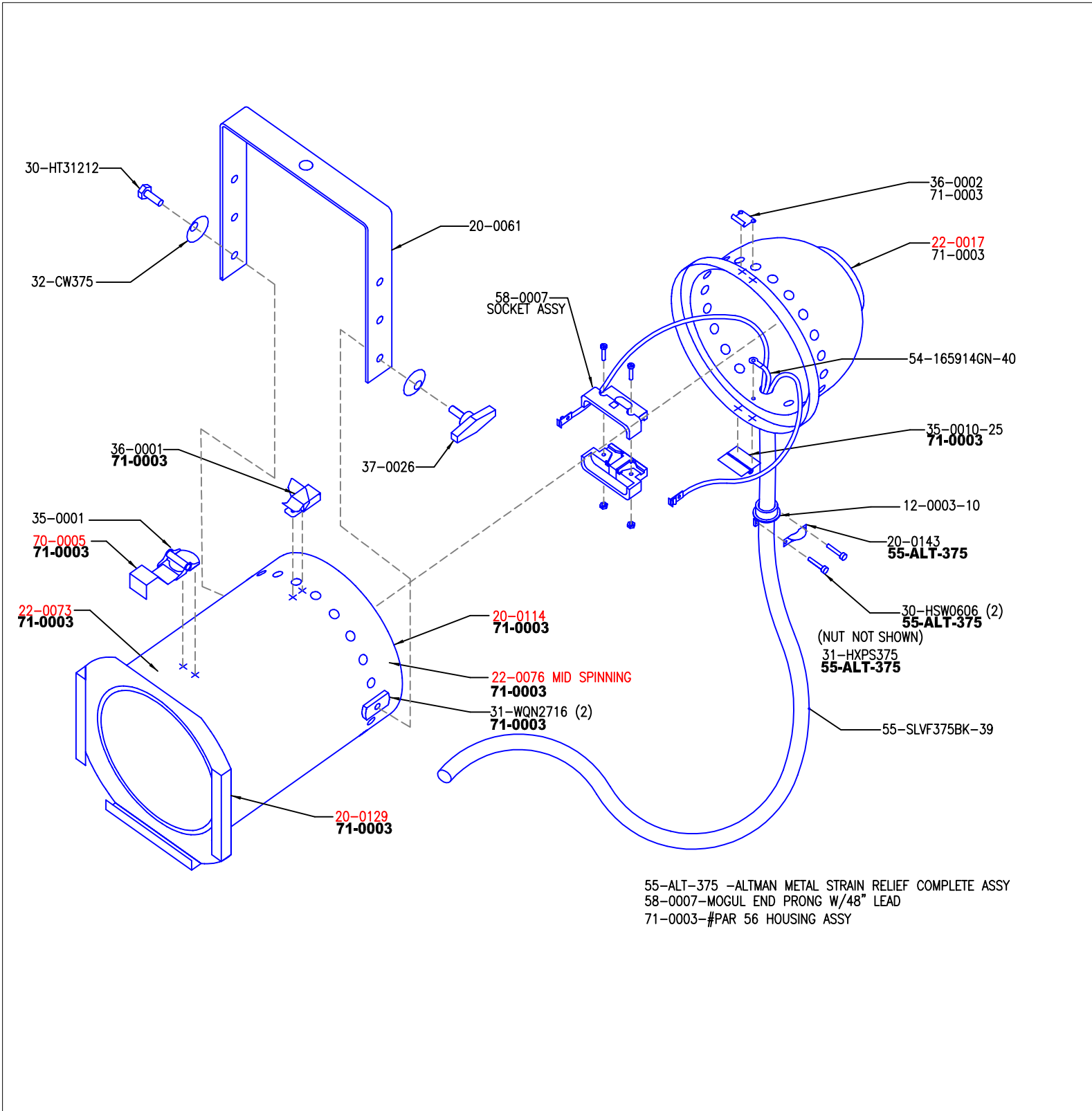


PAR 56 Fixture

| Catalog No: | Assy No: | Description: | Revision: | Section: |
|-------------|----------|----------------|-----------|----------|
| PAR 56 | | Par 56 fixture | C | 4.3 |

Color Code: ● = Object ● = MFG. Number-Not for Sale ● = Obsolete ● = Part Number/Note **Bold** = Sub-Assembly



ALTMAN

Altman Lighting Co. Inc.
 57 Alexander St., Yonkers, NY, 10701
 Ph: (914) 476-7987 Fax: (914) 963-7304
<http://www.altmanltg.com>