

PHX CDM ELLIPSOIDAL

The PHX CDM 5°, 10°, 19°, 26°, 36° and 50° fixed focus ellipsoidals are truly state of the art luminaires in style, versatility of functions and efficiency. Configured with a 39W, 70W, or 150W ballast, these lighting fixtures with their respective Ceramic Discharge Metal Halide Lamps will direct bright, sharp or soft-edged illumination to their subject.

Each unit has two accessory slots and two accessory holders on the lens barrel. The slot nearest to the lamp is specifically sized to accept pattern holders for metal gobos with 2⁵/₈" image diameters ("B" size). The second slot, which has a cover to eliminate light leaks when not in use, will accept either a glass pattern holder, drop-in iris, gobo rotator or a dual gobo rotator. Both the 5° and the 10° PHX CDM units have generous sized front accessory holders with self-closing and self-latching safety retainers. These accessory holders are large enough for color frames, glass color frames, donuts, snoots or color changers and combinations of accessories as required. The 19°, 26°, 36°, and 50° fixed focus units have accessory holders with two separate channels. The lens barrels are interchangeable without the use of tools. These low wattage, long lamp life units produce a cool light with a high color rendering index that will not seriously impact ambient temperatures. Ideally suited for projecting company logos, spot lighting and enhancing physical logos and signs or lighting trade show booths, products and goods.

Please note, 5 and 10 degree fixtures are shipped with an HD C-Clamp.

ELLIPSOIDAL LIGHTING

Catalog Numbers

PHXC-5-*
PHXC-10-*
PHXC-19-*
PHXC-26-*
PHXC-36-*
PHXC-50-*



39/70/150 WATT PHX ELLIPSOIDAL Features

- 12,000 hour CDM lamp with high color rendering index
- Compact, rugged die-cast aluminum construction, spun aluminum construction on 5° and 10° fixtures only
- Lockable shutters and 360° lens barrel rotation
- Tool free interchangeable lens barrels provided with unique safety retaining latch
- Clearly marked lens barrel identification system
- Heat resistant Plano-Convex Lensing
- Tool free lamp centering knob and peak/flat adjustment knob
- Approx. weight: 16.4 lbs
- Accessory slot provided with locking cover knob that will accept gobo rotation accessories, glass pattern holders and drop-in iris
- Heavy gauge stainless steel shutters on separate planes, equipped with insulated handles and spring pressured shutter assembly
- Insulated protective rear mounted handle for easy focusing
- ETL and cETL listed
- Made in the USA

Lens Degree	Model Number
5 Degree	PHX-5-*, PHXC-5-*
10 Degree	PHX-10-*, PHXC-10-*
19 Degree	PHX-19-*, PHXC-19-*
26 Degree	PHX-26-*, PHXC-26-*
36 Degree	PHX-36-*, PHXC-36-*
50 Degree	PHX-50-*, PHXC-50-*

** - Add the following suffix for body color:
B-Black, W-White, S-Silver*



BRINGING IMAGINATION TO LIGHT

57 Alexander St., Yonkers, NY 10701
© 2012 Altman Stage Lighting, Inc.

Tel: 914-476-7987

Visit our website at www.altmanlighting.com

Specifications:

Housing: Die-cast aluminum construction

Yoke: Rigid flat steel with dual locking dog tilt handles, two mounting positions, indexed tilt angle markings.

Reflector: Alzak aluminum ellipsoidal design.

Lenses: Color coded crown glass (white plate) lenses provided with anti-reflective coating. Molded front lens made out of polymeric plastic for 5 and 10 degree units only.

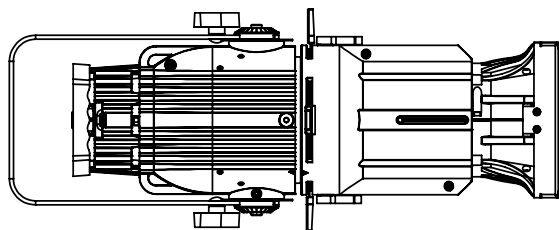
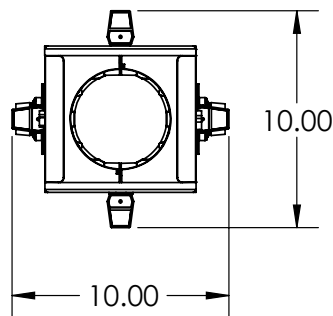
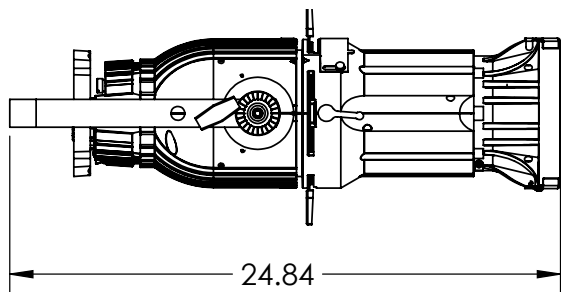
Socket: 5kV Pulse rated socket. Tool free re-lamping.

Ballast: Electronic ballast 39, 70 and 150W - multi voltage.

Cable: 36" Teflon leads incased in black fiberglass sleeving, rear cord wrap provided.

Shutters: Four .037" stainless steel, fully adjustable and lockable. Constructed with oversized heat resistant handles.

Included Accessories	
6-CFB	Black Color Frame, 6¼" x 6¼"
510	Malleable Iron Pipe Clamp
SC-36-BK	36" Black Safety Cable with Spring Clamp
Additional Accessories	
10-CFB	Black Color Frame, 12" x 12" included with PHX-10 and C10)
12-CFB	Black Color Frame, 14" x 14" included with PHX-5 and C5
510-HD	Heavy Duty Malleable Iron Pipe Clamp
4.5-DN	6¼" x 6¼" Donut, Black with 2½" Hole
10-DN	12" x 12" Donut, Black
12-DN	14" x 14" Donut, Black
4.5-SN	6¼" x 6¼" Snoot, Black
10-SN	12" x 12" Snoot, Black
12-SN-BK	14" x 14" Snoot, Black
PHX-PH	PHX Steel Pattern Holder, "B" Size
PHX-GPH	PHX Glass Pattern Holder, "B" Size
PDII	PHX Drop-In Iris



CONVERSION FACTORS	
39 Watt Lamp = f.c. x .24	
79 Watt Lamp = f.c. x .48	
Lux = f.c. x .0929	

LAMP DATA							
Lamp Type	Watts	Efficiency	Color Temp (K)	Rated Life (Hours)	Rated Lumens	Color Rendering Index	Burn Position
CDM 35/T6/830	39	>87 LPW	3000	12,000	3,400	81	Any
CDM 70/T6/830	70	>92 LPW	3000	12,000	6,600	82	Any
CDM 70/T6/942	70	>92 LPW	4000	12,000	6,600	92	Any
CDM 150/T6/830	150	>93 LPW	3000	12,000	14,000	85	Any
CDM 150/T6/942	150	>85 LPW	4000	6,000	12,700	95	Any
CDM SA150/T6/842	150	>86 LPW	4200	5,000	12,900	96	Any