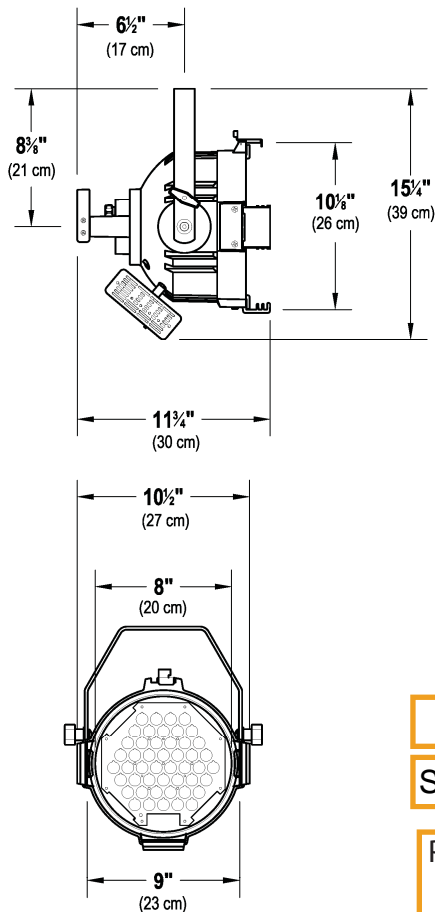


SPECTRA STAR PAR

The Spectra Star PAR is a 100 Watt PAR Luminaire utilizing high efficiency Philips Luxeon Rebel LED emitters. Featuring a durable, light weight die cast aluminum housing the Spectra Star PAR is available as a pipe mount or Smart Track™ fixture. Designed for theatrical and architectural applications, the SPECTRA Star PAR acts as a true PAR lighting fixture with tools-free exchangeable VNSP, NSP, MFL, WFL, and (optional) XWFL Lenses.

An on board power supply allows for direct power & data connection to conventional distribution or a Smart Track™ systems. The Spectra StarPAR 100 watt PAR is compatible with both DMX & RDM protocols, and comes complete with a library of pre-programmed single colors and various color mixes. Shows and addressing are accessed via the push button display.



WASH LIGHTING

Catalog Numbers

SSSP-**-**

SSSPY-**-**



100 WATT SPECTRA STAR PAR

Features

- Available in 4 Standard LED color configurations: *RGBA, RGBW, 3K White or 3K-6K Tunable White¹*.
- Convection Cooled.
- Available in pipe mount and Smart Track™ versions.
- Tool-free exchangeable VNSP, NSP, MFL, WFL & XWFL lenses.
- On-board multi-voltage power supply 100-240VAC or Mains Dimmable drivers.
- Feed through data capabilities using 5-pin XLR connectors.
- Compatible with DMX and RDM protocols.
- Push button addressing.
- Pre-programmed modes for fixed colors, timed color changes and strobes.
- 16 lbs.
- ETL & cETL listed.
- Made in the USA

Model	LED Array	Finish Color	Control
SSSP <input type="button" value="v"/>	RGBA <input type="button" value="v"/>	B (Black) <input type="button" value="v"/>	D (DMX) <input type="button" value="v"/>

SSSPY for Smart Track mounting

Project:	Approval Date:
Location:	Fixture Type:



BRINGING IMAGINATION TO LIGHT

57 Alexander St., Yonkers, NY 10701
© 2012 Altman Stage Lighting, Inc.

Tel: 914-476-7987

Visit our website at www.altmanlighting.com

Specifications:

Materials: Construction employs all corrosion-resistant materials and hardware

Housing: Die-case aluminum construction

Light Engine: Luxeon Rebel LED's- 100 Watts Max at full RGBA

Lenses: Borosilicate glass 8" diameter PAR64

Lens Holder: Fully rotational, provided with three insulated finger tabs. Tool-free changing of lenses. 360° rotation

Rating: Multi-Voltage; 100-240 volt AC operation, or Mains Dimmable Drivers

Data Ports: Two 6' 5-Pin XLR cables for DMX:1 Male & 1 Female or Smart Track™

Power Cable: 6' total length with Edison connector

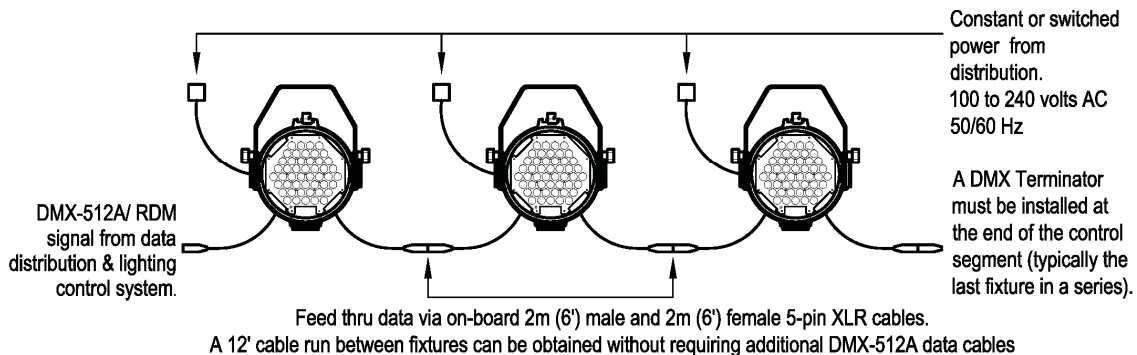
Finish: Black, White or Silver TGIC polyester, electrostatic application. Custom colors available

Weight: Approx. 16 lbs. (7.26 kg)

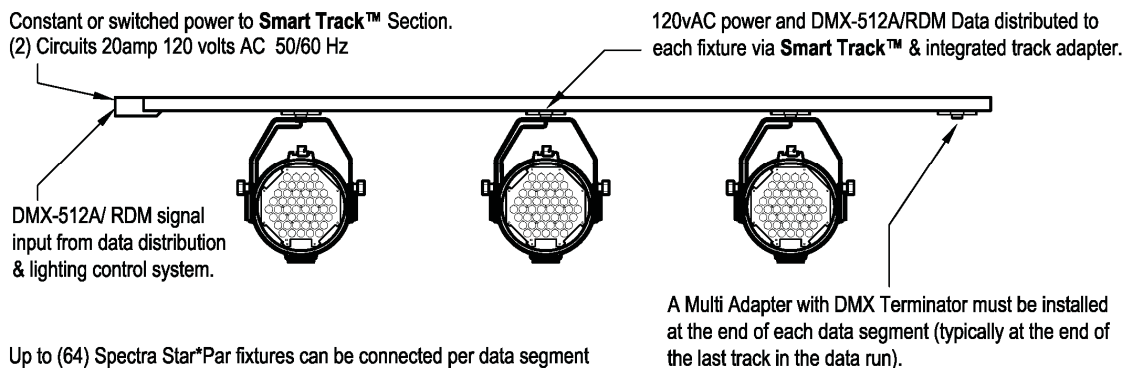
Accessories:

Model Number	Supplied with the fixture
97-0150	Set of 4 Lenses(VNSP, NSP, MFL, WFL)
SC-36-BK	36" Black Safety Cable w/ Spring Clip
Additional Accessories	
XLR-5-5	5' 5-Pin XLR Extension Cable
XLR-5-10	10' 5-pin XLR Extension Cable
XLR-5-25	25' 5-pin XLR Extension Cable
99-DMX-TERM	In line 5-pin DMX terminator
510	Malleable Iron Pipe Clamp for 3/4"-1 1/2" Pipe
8-BD-4	Four Leaf Barndoor
8-CFB	Black Color Frame 10"x10"
8-SN	Black Snoot

Basic wiring diagram for SSSP*-** Spectra Star PAR (Portable/Theatrical Version)



Basic wiring diagram for SSSPY*-** Spectra Star PAR (Smart Track™ Version)



Performance per Lens:

RGBA:

VNSP Lens

Throw Distance (d)	10' 3m	15' 4.6m	20' 6.1m	25' 7.6m
Beam Size, (H x V)	1.7' x 1.7' 0.5m x 0.5m	2.5' x 2.5' 0.8m x 0.8m	3.3' x 3.3' 1m x 1m	4.2' x 4.2' 1.3m x 1.3m
Illuminance (fc)	215	96	54	34
Illuminance (lux)	2,316	1,029	579	371

NSP Lens

Throw Distance (d)	10' 3m	15' 4.6m	20' 6.1m	25' 7.6m
Beam Size, (H x V)	2.2' x 2.2' 0.7m x 0.7m	3.3' x 3.3' 1m x 1m	4.4' x 4.4' 1.3m x 1.3m	5.5' x 5.5' 1.7m x 1.7m
Illuminance (fc)	147	65	37	23
Illuminance (lux)	1,579	702	395	253

MFL Lens

Throw Distance (d)	10' 3m	15' 4.6m	20' 6.1m	25' 7.6m
Beam Size, (H x V)	3.27' x 2.5' 1.1m x 0.7m	5.6' x 3.7' 1.7m x 1.1m	7.4' x 4.9' 2.3m x 1.5m	9.3' x 6.1' 2.8m x 1.9m
Illuminance (fc)	81	36	20	13
Illuminance (lux)	871	387	218	139

WFL Lens

Throw Distance (d)	10' 3m	15' 4.6m	20' 6.1m	25' 7.6m
Beam Size, (H x V)	7' x 3.5' 2.1m x 1.1m	10.5' x 5.3' 3.2m x 1.6m	14' x 7.1' 4.3m x 2.1m	17.5' x 8.8' 5.3m x 2.7m
Illuminance (fc)	41	18	10	7
Illuminance (lux)	438	194	109	70

XWFL Lens

Throw Distance (d)	10' 3m	15' 4.6m	20' 6.1m	25' 7.6m
Beam Size, (H x V)	9.5' x 9.6' 2.9m x 2.9m	14.3' x 14.3' 4.4m x 4.4m	19' x 19' 5.8m x 5.8m	23.8' x 24' 7.2m x 7.3m
Illuminance (fc)	35	18	11	7
Illuminance (lux)	377	204	118	75

3K White

VNSP Lens

Throw Distance (d)	10' 3m	15' 4.6m	20' 6.1m	25' 7.6m
Beam Size, (H x V)	1.7' x 1.7' 0.5m x 0.5m	2.5' x 2.5' 0.8m x 0.8m	3.3' x 3.3' 1m x 1m	4.2' x 4.2' 1.3m x 1.3m
Illuminance (fc)	471	209	118	75
Illuminance (lux)	5,068	2,252	1,267	811

NSP Lens

Throw Distance (d)	10' 3m	15' 4.6m	20' 6.1m	25' 7.6m
Beam Size, (H x V)	2.2' x 2.2' 0.7m x 0.7m	3.3' x 3.3' 1m x 1m	4.4' x 4.4' 1.3m x 1.3m	5.5' x 5.5' 1.7m x 1.7m
Illuminance (fc)	364	162	91	58
Illuminance (lux)	3,917	1,741	979	627

MFL Lens

Throw Distance (d)	10' 3m	15' 4.6m	20' 6.1m	25' 7.6m
Beam Size, (H x V)	3.27' x 2.5' 1.1m x 0.7m	5.6' x 3.7' 1.7m x 1.1m	7.4' x 4.9' 2.3m x 1.5m	9.3' x 6.1' 2.8m x 1.9m
Illuminance (fc)	181	80	45	29
Illuminance (lux)	1,948	866	487	312

WFL Lens

Throw Distance (d)	10' 3m	15' 4.6m	20' 6.1m	25' 7.6m
Beam Size, (H x V)	7' x 3.5' 2.1m x 1.1m	10.5' x 5.3' 3.2m x 1.6m	14' x 7.1' 4.3m x 2.1m	17.5' x 8.8' 5.3m x 2.7m
Illuminance (fc)	88	39	22	14
Illuminance (lux)	947	421	237	152