

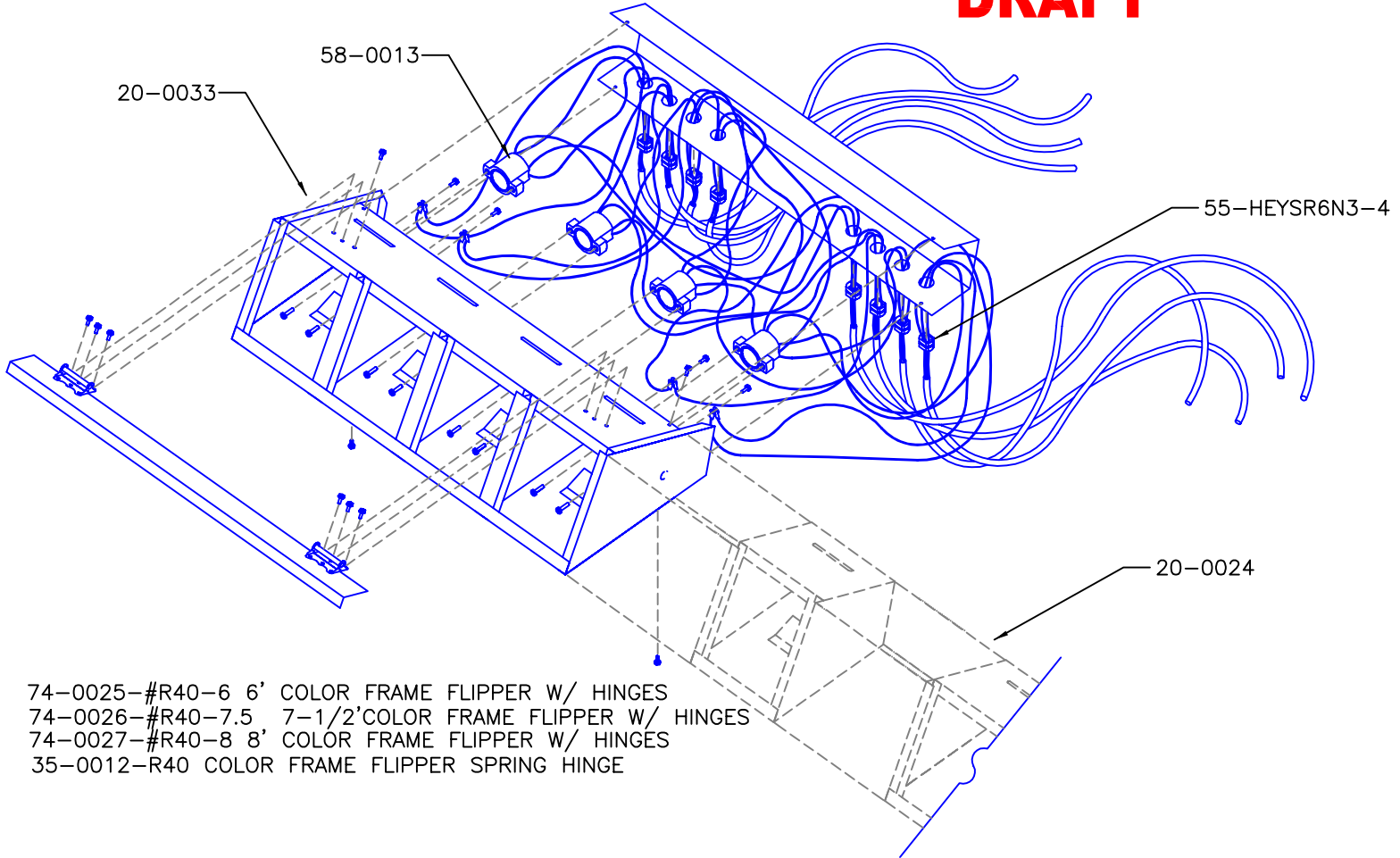
# R40 BORDERLIGHT

Catalog No:	Assy No:	Description:	Revision:	Section:
R40		R40 BORDERLIGHT	C	7.6

Color Code: ● = Object ● = MFG. Number-Not for Sale ● = Obsolete ● = Part Number/Note **Bold** = Sub-Assembly

20-0082-#R40-6 6' REAR COVER  
 20-0084-#R40-7.5 7-1/2' REAR COVER  
 20-0110-#R40-8 8' REAR COVER

**DRAFT**



74-0025-#R40-6 6' COLOR FRAME FLIPPER W/ HINGES  
 74-0026-#R40-7.5 7-1/2' COLOR FRAME FLIPPER W/ HINGES  
 74-0027-#R40-8 8' COLOR FRAME FLIPPER W/ HINGES  
 35-0012-R40 COLOR FRAME FLIPPER SPRING HINGE

20-0024-#R40 RIGHT END CAP W/WELDNUT  
 20-0033-#R40 LEFT END CAP W/WELDNUT

# ALTMAN

Altman Lighting Co. Inc.  
 57 Alexander St., Yonkers, NY, 10701  
 Ph: (914) 476-7987 Fax: (914) 963-7304  
<http://www.altmanltg.com>