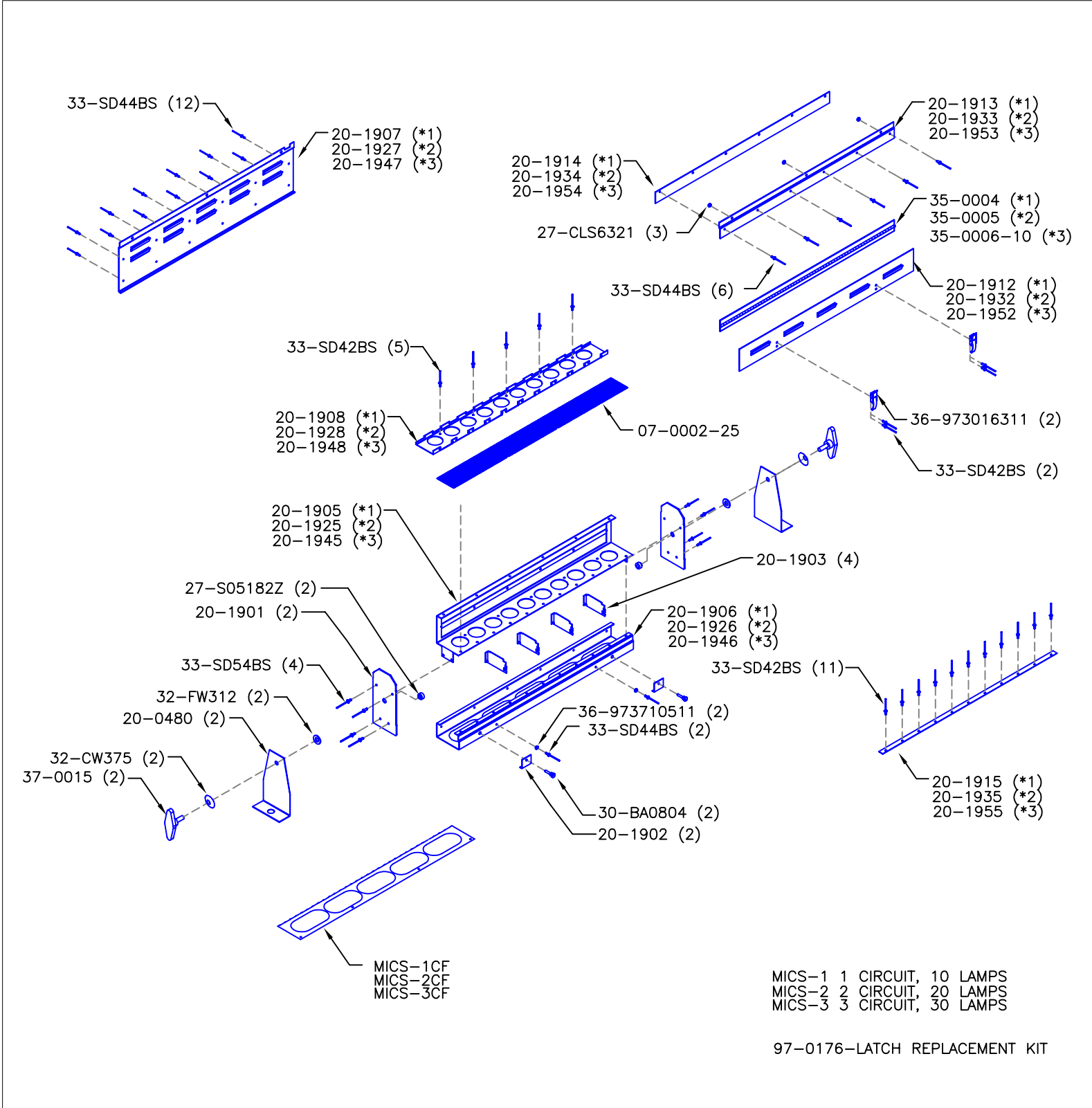


MICRO STRIP (MR-11)

Catalog No:	Assy No:	Description:	Revision:	Section:
MICS-*		MICRO STRIP HOUSING	C	7.12.1

Color Code: ● = Object ● = MFG. Number-Not for Sale ● = Obsolete ● = Part Number/Note **Bold** = Sub-Assembly



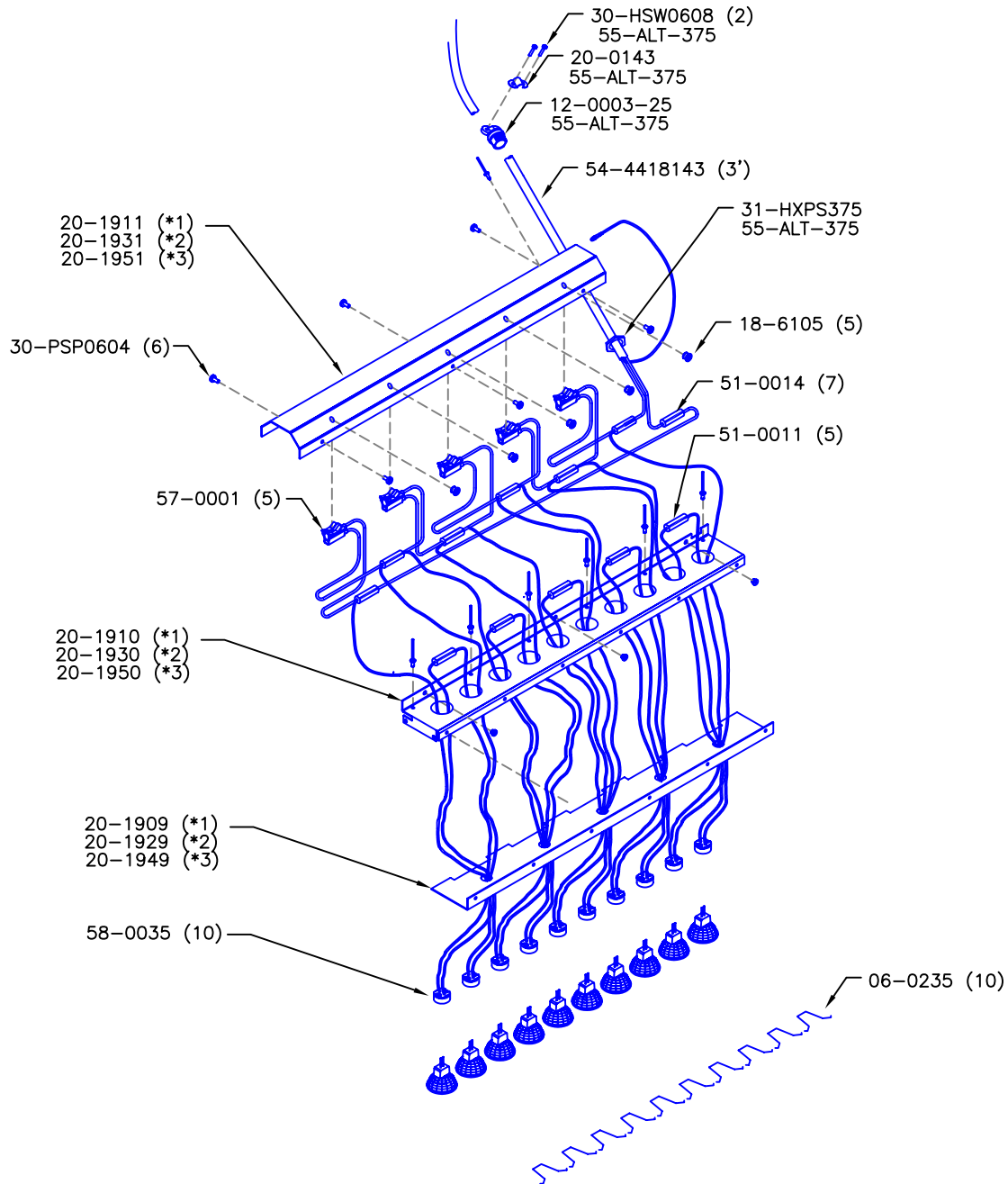
ALTMAN

Altman Lighting Co. Inc.
57 Alexander St., Yonkers, NY, 10701
Ph: (914) 476-7987 Fax: (914) 963-7304
<http://www.altmanlgt.com>

MICRO STRIP ELECTRICAL

Catalog No:	Assy No:	Description:	Revision:	Section:
MICS-*	[assy no]	MICRO STRIP ELECTRICAL	B	7.12.2

Color Code: ● = Object ● = MFG. Number-Not for Sale ● = Obsolete ● = Part Number/Note **Bold** = Sub-Assembly



ALTMAN

Altman Lighting Co. Inc.
 57 Alexander St., Yonkers, NY, 10701
 Ph: (914) 476-7987 Fax: (914) 963-7304
<http://www.altmanlgt.com>