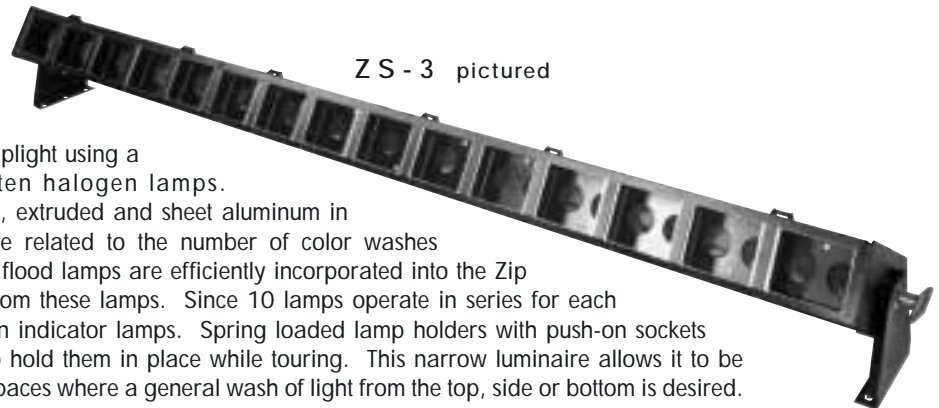


Fixture Type:



The Zip Strip is a U.L. listed multi-lamp striplight using a wide range of 12 volt MR-16 tungsten halogen lamps. This luminaire is manufactured of die-cast, extruded and sheet aluminum in four standard lengths. These lengths are related to the number of color washes desired. Narrow spot, medium and wide flood lamps are efficiently incorporated into the Zip Strip without trapping appreciable light from these lamps. Since 10 lamps operate in series for each color circuit, lamp failure is noted by neon indicator lamps. Spring loaded lamp holders with push-on sockets provide secure positioning of the lamps to hold them in place while touring. This narrow luminaire allows it to be used on closely spaced battens or in tight spaces where a general wash of light from the top, side or bottom is desired.

Specifications subject to change without notice

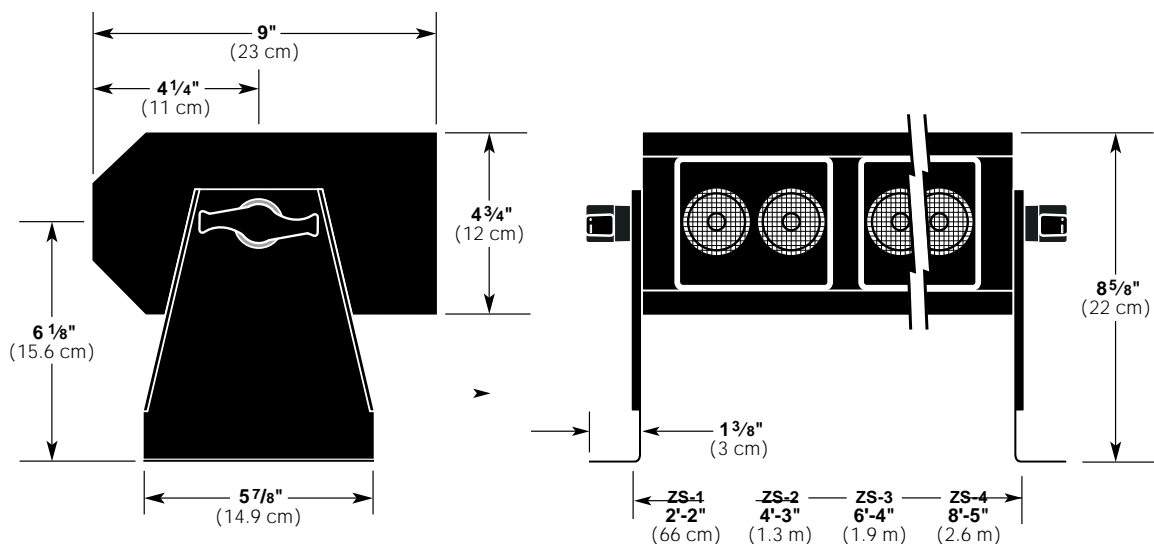
## 750 WATTS Per Circuit

### MR-16

### ZIP STRIP

#### Features

- Rugged lightweight die-cast, extruded, and sheet aluminum construction
- Spring loaded lamp holder and push-on 2 pin socket
- Neon indicator lamps to identify lamp failure
- Large lamp ports to minimize light trapping
- Compartmented for color separation
- Uses wide variety of MR-16 lamps
- Narrow profile
- Multiple circuit units have 36" feed through lead wires per circuit
- Safety screen provided
- Color frames and safety cable included
- U.L., c.U.L., and CE listed for 750 watts per circuit
- Made in the USA



**Specifications**

**Housing:** Die-cast extruded, and sheet aluminum construction.

**Materials:** Construction employs all corrosion-resistant materials and hardware.

**Socket:** GX5.3, with heat shield.

**Rating:** 120/240 volts AC/DC operation, 6.3/3.1 amps per circuit, 750 watts per circuit maximum. 75 watt maximum lamps. Note: 240 volt units require special wiring.

**Cable:** 36" Teflon and/or silicone-fiberglass leads encased in black fiberglass sleeving. ZS-2, ZS-3, and ZS-4 are feed through wired.

**Access Door:** Hinged, can be opened without use of tools.

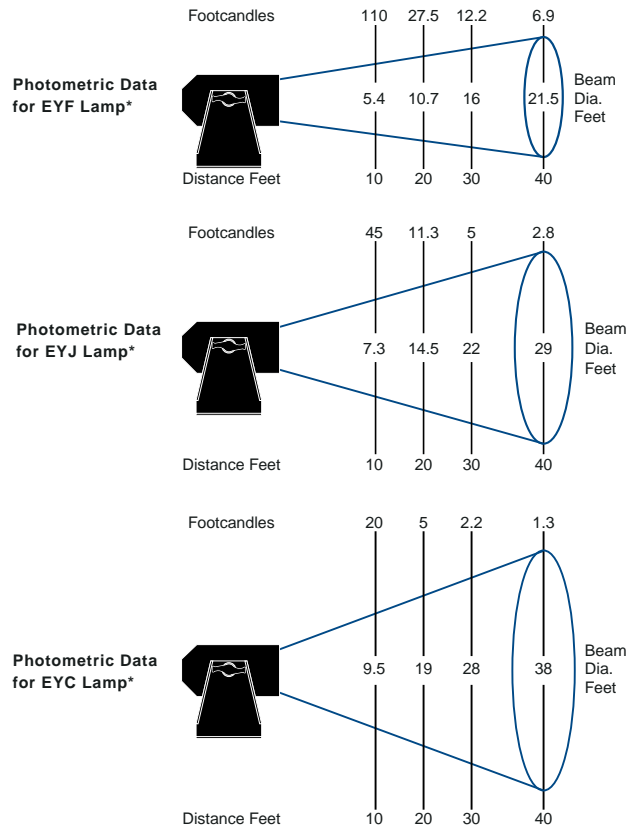
**Safety Screens:** Stainless steel.

**Accessories:** Each pair of lamps accepts one color frame.

**Trunnions:** Rigid 16 gauge steel, double trunnions for supporting two fixtures optional.

**Finish:** Baked black enamel.

**Weight:** Approx; 15 lbs. (6.8 kg.) for ZS-1.  
Approx; 30 lbs. (13.5 kg.) for ZS-2.  
Approx; 45 lbs. (20.3 kg.) for ZS-3.  
Approx; 60 lbs. (27 kg.) for ZS-4.



\* All photometric data for single lamp only.  
Actual photometrics dependent on total number of lamps in fixture.  
Beam intensities compound due to overlapping of beam patterns

ACCESSORIES Supplied with Luminaire	
ZS-CF	Color Frame (one frame per pair of lamps)
ZS-FT	Floor Trunnions, pair
SC-36-BK	Safety Cable with Spring Clip

ADDITIONAL ACCESSORIES	
508	Hanging Arm and Clamp, pair
ZS-DFT	Double Floor Trunnions, pair (supports two Zip Strips)
ZS-CFT	Castered Floor Trunnions, pair
510	Malleable Iron Pipe Clamp

When ordering **ZIP STRIPS**, specify the hardware.  
**ZS-FT** Floor Trunnions are standard equipment.

**LAMP DATA**

Lamp Type	Watts	Candlepower (Candela)	Color Temp (°k)	Volts	Rated Life (Hours)	Field Angle (Degrees°)	Beam Angle (Degrees°)
EYF	75	11,000	3050	12	4000	30°	14°
EYJ	75	4,500	3050	12	4000	40°	25°
EYC	75	2,000	3050	12	4000	51°	40°
FPA	65	11,000	3000	12	3000	30°	14°
FPC	65	4,500	3000	12	3000	40°	27°
FPB	65	2,000	3000	12	3000	51°	38°
EXT	50	9,000	3050	12	5000	30°	13°
EXZ	50	2,500	3050	12	5000	40°	24°
EXK	50	2,000	3050	12	5000	46°	32°
EXN	50	1,500	3050	12	5000	52°	40°
EYR/EYS/EZY	42	11,000	3000	12	3500	26°	10°
EYS	42	2,700	3000	12	5000	36°	20°
EYP	42	1,000	3000	12	4000	44°	36°
EZX	20	8,000	2900	12	3000	20°	8°
ESX	20	3,200	2900	12	4000	30°	12°
BBF	20	1,000	2900	12	3000	40°	24°
BAB	20	450	2900	12	4000	48°	36°