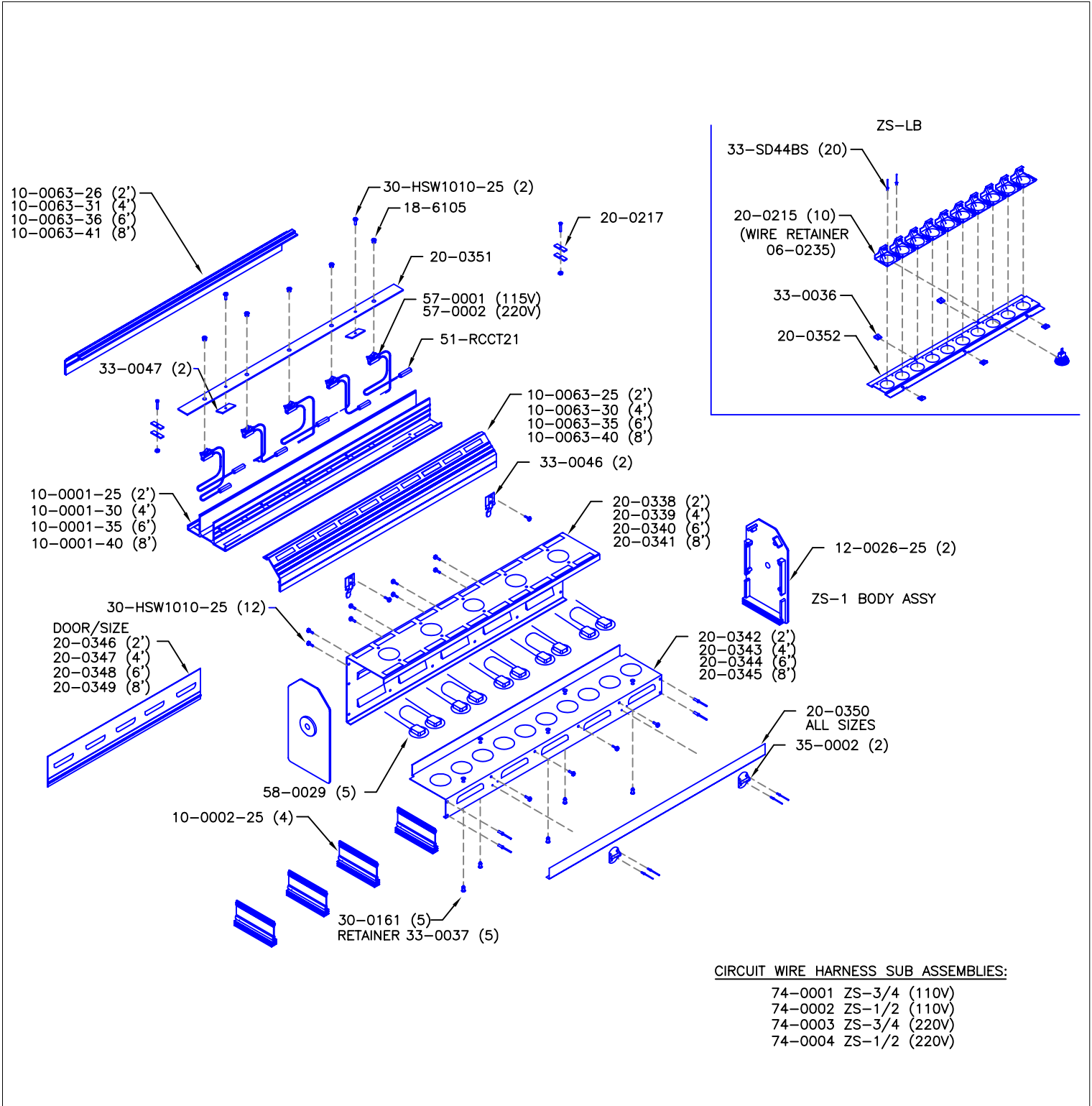


ZIP STRIP (MR-16)

Catalog No:	Assy No:	Description:	Revision:	Section:
ZS-1*		ZIP STRIP	E	7.11

Color Code: ● = Object ● = MFG. Number-Not for Sale ● = Obsolete ● = Part Number/Note **Bold** = Sub-Assembly



ALTMAN

Altman Lighting Co. Inc.
 57 Alexander St., Yonkers, NY, 10701
 Ph: (914) 476-7987 Fax: (914) 963-7304
<http://www.altmanltg.com>