



IQ64C

Fixture Type:

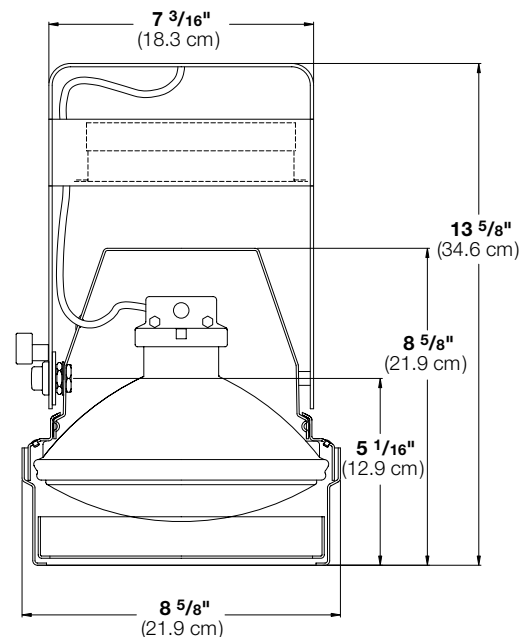
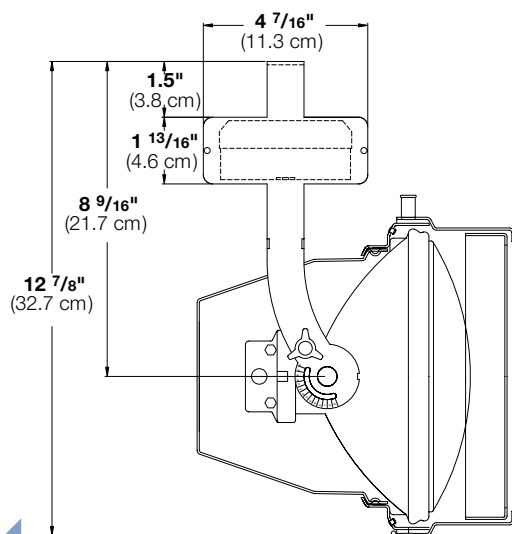
The IQ64 fixture is a compact, very efficient means of illuminating and highlighting areas and objects with soft pools of light. The largest of the IQ series Par fixtures, the IQ64 boasts all of the admirable characteristics of its smaller companions such as internal accessory holder, superior ventilation and dual swivel positioning system with degree markings. Using the family of sealed beam 150 watt long-life CDM PAR 64 lamps, this luminaire is ideal for museums, retail and trade show applications.

Specifications subject to change without notice

ARCHITECTURAL IQ64C CDM Spot/Floodlight Series

Features

- Utilizes 8,000 hour CDM Par64 Lamp
- Compact rugged spun and extruded aluminum construction
- Low noise, high efficient, electronic ballast
- Dual Swivel positioning system with degree markings
- Track adapter versions available
- Internal accessory adapter
- U.L., c.U.L. and C.E. listed
- Made in the U.S.A.



Specifications

Materials: Compact rugged sheet metal extruded and spun aluminum.

Housing: Corrosion-resistant materials and hardware.

Yoke: 1" x 3/32" 13 gauge steel yoke.

Socket: 5kv Mogul-end prong, tool-free relamping.

Ballast: Efficient electronic ballast. Tested and approved by the manufacturer and carries a full 5-year warranty.

Rating: 120, 240 or 277 volts AC/DC operation, 50/60Hz, 1.25 amps with 150W lamp. 150 watts maximum.

Cable: 6' of insulated 3 conductor cable with u-ground male Edison plug.

Finish: Black TGIC Polyester, electrostatic application. White and Silver are also available.

Weight: Approx; 8 lbs. (3.6 kg.)

IQ64C Ceramic Metal Halide Version

Part Number:	model	voltage	wattage	color
IQ64C	-		150	(B)lack
		110		(W)hite
		240		(S)ilver
		277		(X)Custom

ACCESSORIES Supplied with Luminaire	
—	Accessory Retainer for 77/16" Diameter Accessories
MSC	Mini Safety Cable

ADDITIONAL ACCESSORIES	
IQ64 -CH	Cylindrical Hood
IQ64-SCH	Sparkle Cylindrical Hood
IQ64-BD4	4 Leaf Barn Door
IQ64-CF	Color Filter Holder
IQ64-LV	Louver Honeycomb
IQ64-DCF	Dichroic Color Filter (specify color)
TLA-166*	Nordic Eco 1 Circuit
TLA-TEK68*	Nordic Sped Grade 2 Circuit
TLA-XTSA66*	Nordic Spec Grade 3 Circuit
54-SVT183-24CC	Coiled Cord with Edison Connector Factory Installed
510-M	Baby Pipe Clamp
510	Malleable Iron Pipe Clamp
—	Canopy, Unistrut™ and Stem Mounting Options Available

LAMP INFORMATION

Rated Wattage	Rated Volts	Product Description	Average Rated Life	Base	MPBC	Lens Style	Beam	50% MPBC	10% Degrees	CCT K	CRI
150	95	CMH150/PAR64/830/GX16d/SP1/6	8000	GX16d	15,400	Stipple	Narrow	9x9	18x18	3000	80+
150	95	CMH150/PAR64/830/GX16d/MFL1/6	8000	GX16d	47,000	8-Bar	Medium	22x14	34x26	3000	80+
150	95	CMH150/PAR64/830/GX16d/WFL1/6	8000	GX16d	16,000	12-Bar	Wide	46x23	62x36	3000	80+
150	100	CMH150/PAR64/842/GX16d/SP1/6	8000	GX16d	154,000	Stipple	Narrow	9x9	18x18	4200	90+
150	100	CMH150/PAR64/842/GX16d/MFL1/6	8000	GX16d	47,000	8-Bar	Medium	22x14	34x26	4200	90+
150	100	CMH150/PAR64/842/GX16d/WFL1/6	8000	GX16d	16,000	12-Bar	Wide	46x23	62x36	4200	90+

PHOTOMETRIC DATA FOR IQ64C

Distance	Product Description	Beam	Beam Angle (Degrees)	Field Angle (Degrees)	10'			20'			30'			40'			50'			60'		
					Center Beam F.C.	H	W	Center Beam F.C.	H	W	Center Beam F.C.	H	W	Center Beam F.C.	H	W	Center Beam F.C.	H	W	Center Beam F.C.	H	W
	CMH150/PAR64/830/GX16d/SP1/6	Narrow	9° x 9°	18° x 18°	1540	1.6	1.6	385	3	3	171	5	5	96	6	6.3	62	8	8	43	9	9
	CMH150/PAR64/830/GX16d/MFL1/6	Medium	22° x 14°	34° x 26°	470	3.9	2.5	118	8	5	52	12	7	29	16	9.8	19	19	12	13	23	15
	CMH150/PAR64/830/GX16d/WFL1/6	Wide	46° x 23°	62° x 36°	160	8.5	4.1	40	17	8	18	25	12	10	34	16.3	6	42	20	4	51	24
	CMH150/PAR64/842/GX16d/SP1/6	Narrow	9° x 9°	18° x 18°	1540	1.6	1.6	385	3	3	171	5	5	96	6	6.3	62	8	8	43	9	9
	CMH150/PAR64/842/GX16d/MFL1/6	Medium	22° x 14°	34° x 26°	470	3.9	2.5	118	8	5	52	12	7	29	16	9.8	19	19	12	13	23	15
	CMH150/PAR64/842/GX16d/WFL1/6	Wide	46° x 23°	62° x 36°	470	8.5	4.1	40	17	8	18	25	12	10	34	16.3	6	42	20	4	51	24