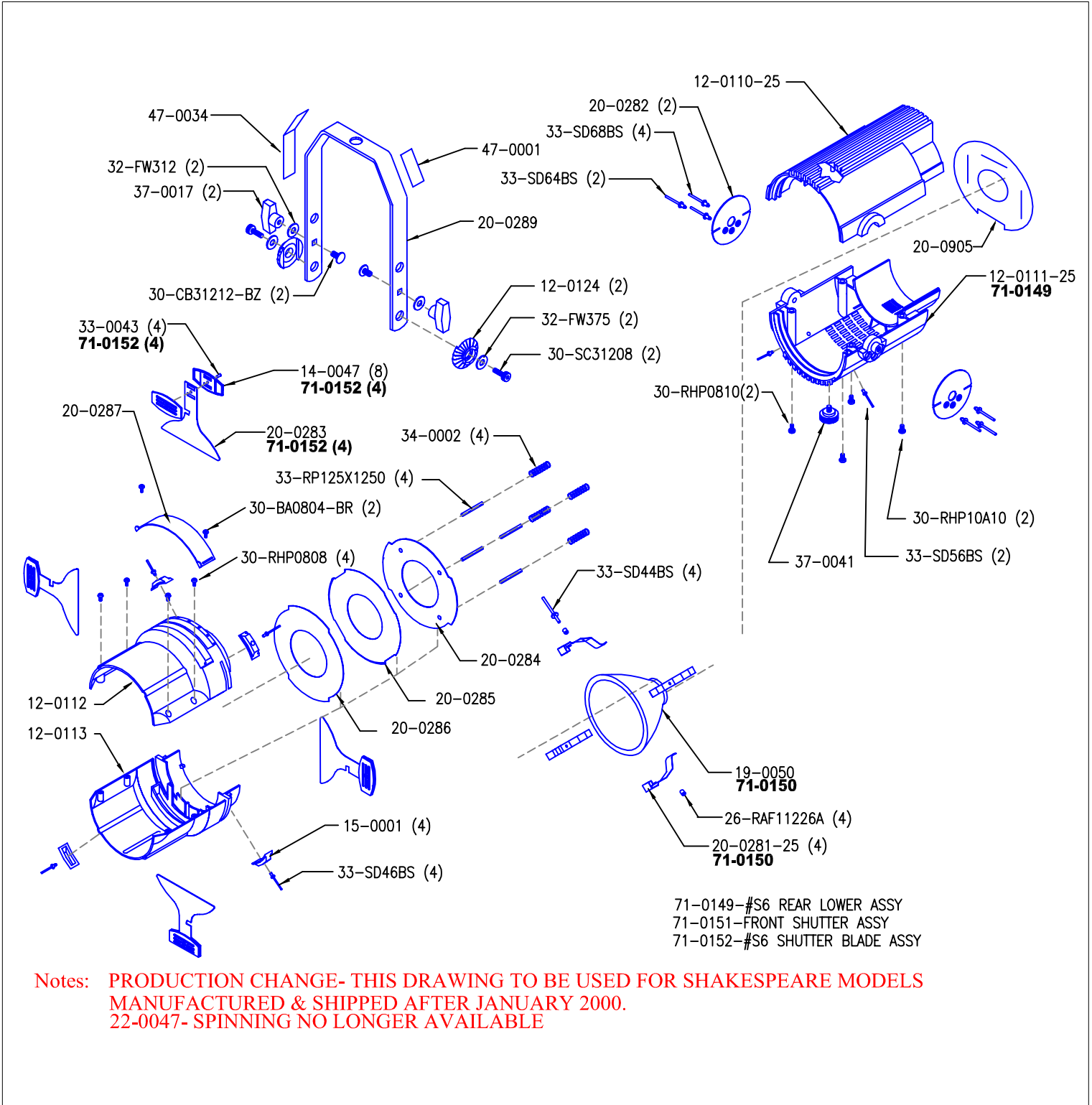


Shakespeare Fixture Body

Catalog No:	Assy No:	Description:	Revision:	Section:
S6-*		Shakespeare Fixture Body	G	3.4.1

Color Code: ● = Object ● = MFG. Number-Not for Sale ● = Obsolete ● = Part Number/Note **●** = Sub-Assembly



Notes: PRODUCTION CHANGE- THIS DRAWING TO BE USED FOR SHAKESPEARE MODELS
 MANUFACTURED & SHIPPED AFTER JANUARY 2000.
 22-0047- SPINNING NO LONGER AVAILABLE

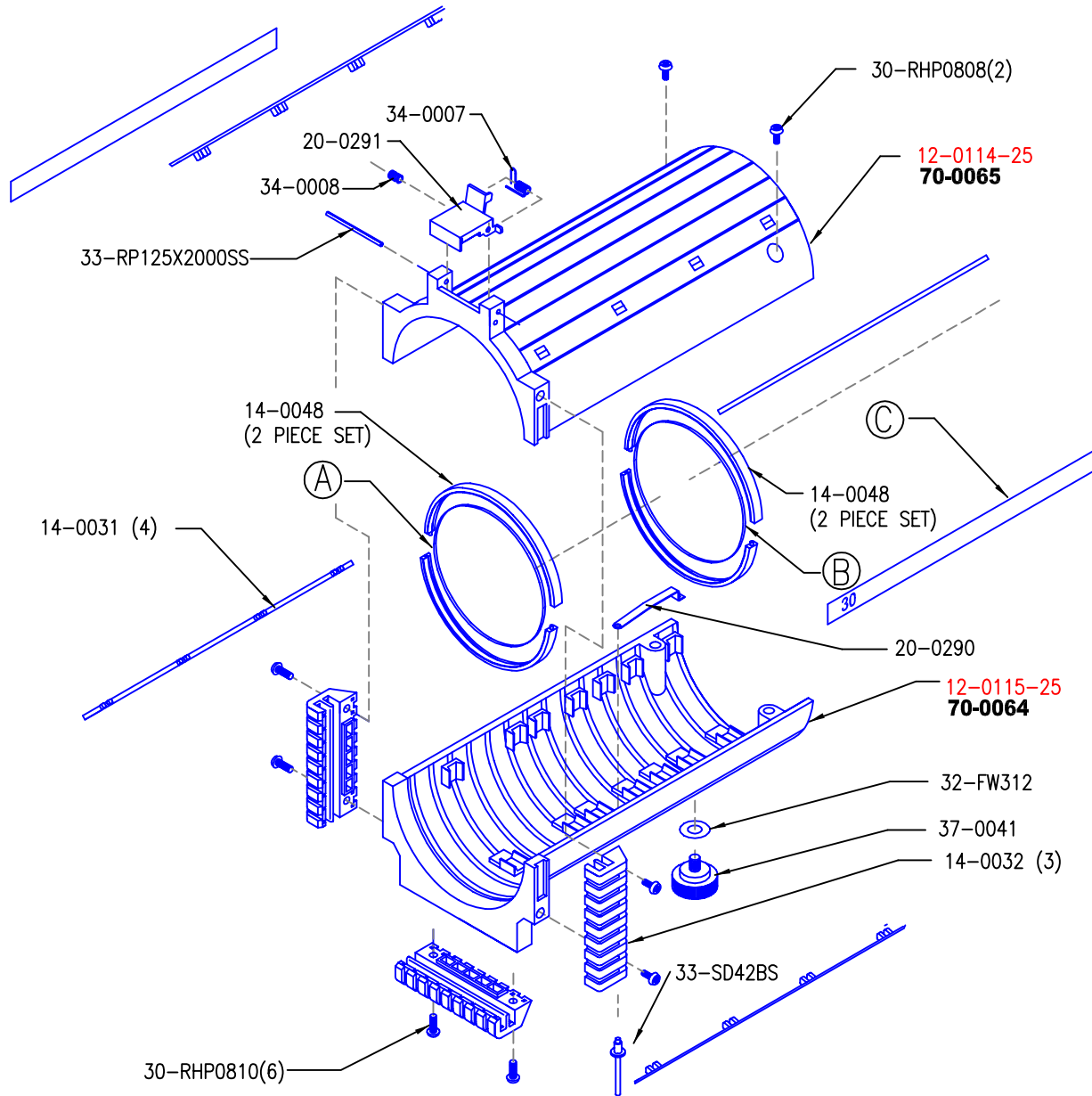
ALTMAN

Altman Lighting Co. Inc.
 57 Alexander St., Yonkers, NY, 10701
 Ph: (914) 476-7987 Fax: (914) 963-7304
<http://www.altmanltg.com>

Shakespeare Lens Assemblies

Catalog No:	Assy No:	Description:	Revision:	Section:
S6-*	Below	Shakespeare Lens Assemblies	E	3.4.2

Color Code: ● = Object ● = MFG. Number-Not for Sale ● = Obsolete ● = Part Number/Note **Bold** = Sub-Assembly



LENS ASSEMBLIES CROSS REFERENCE

FIXTURE	(A)	(B)	LENS ASSY	(C)
50 DEGREE	18-2017	18-2018	71-0501	47-0206
40 DEGREE	18-2019	18-2018	71-0502	47-0205
30 DEGREE	18-2020	18-2020	71-0503	47-0204
20 DEGREE	18-2016	18-2016	71-0504	47-0203

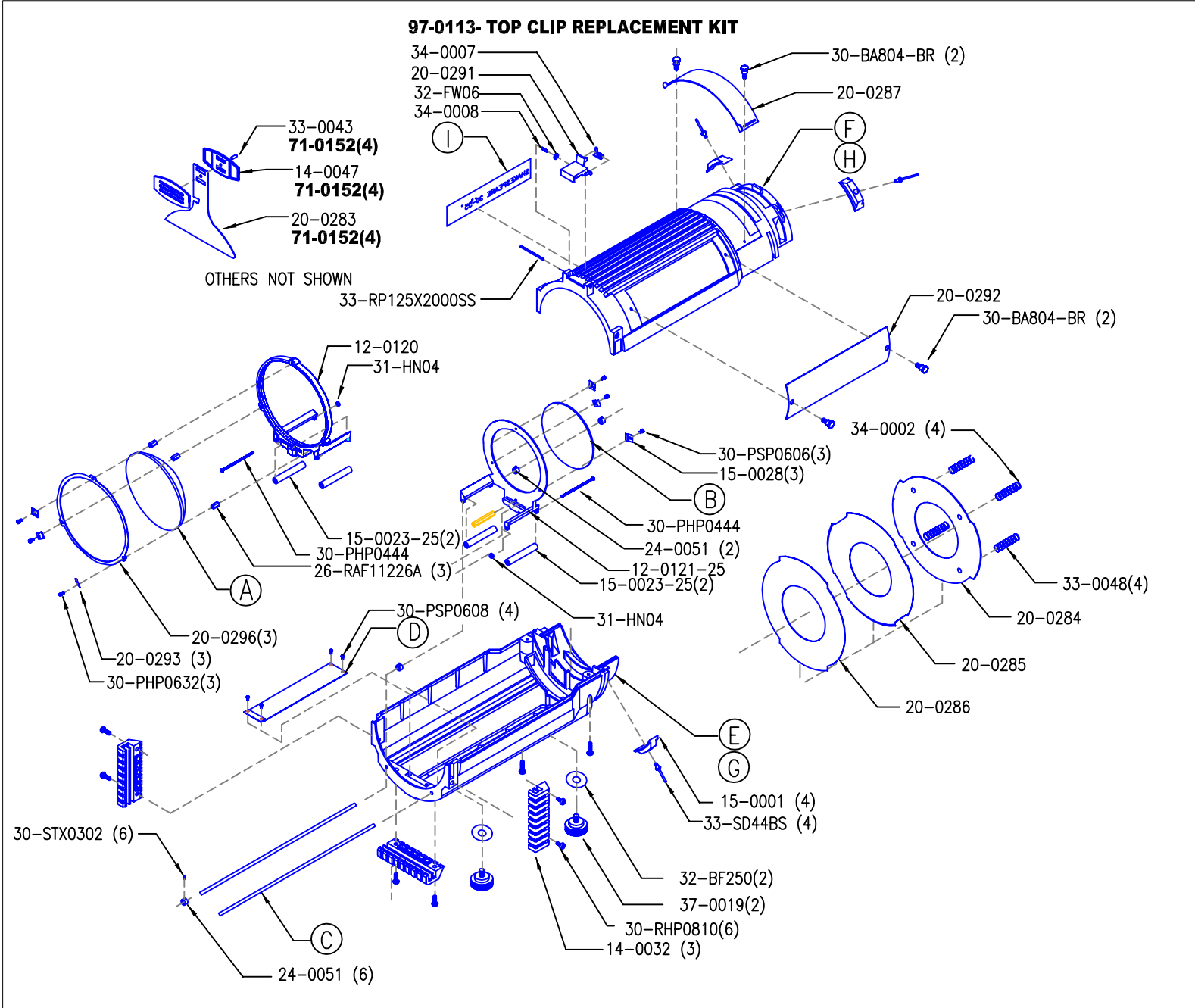
ALTMAN

Altman Lighting Co. Inc.
 57 Alexander St., Yonkers, NY, 10701
 Ph: (914) 476-7987 Fax: (914) 963-7304
<http://www.altmanltg.com>

Shakespeare Zoom Assemblies

Catalog No:	Assy No:	Description:	Revision:	Section:
S6-*		Shakespeare Zoom Assemblies	D	3.4.3

Color Code: ● = Object ● = MFG. Number-Not for Sale ● = Obsolete ● = Part Number/Note **●** = Sub-Assembly



CROSS REFERENCE

FIXTURE	(A)	LENS ASSY	(B)	LENS ASSY	(C)	(D)	(E)	(F)	(G)	(H)	(I)
S6-1535Z	18-2023	71-0160	18-2018	71-0161	06-0302 (2)	20-0294	12-0117	12-0116	70-0066	70-0067	47-0207
S6-12 DEGREE	18-2024	70-0194	NONE	NONE	06-0302 (2)	20-0294	12-0117	12-0116	71-0159	71-0158	47-0209
S6-3055Z	18-0026	71-0162	18-2022	71-0163	06-0301 (2)	20-0295	12-0119	12-0118	70-0069	70-0068	47-0208

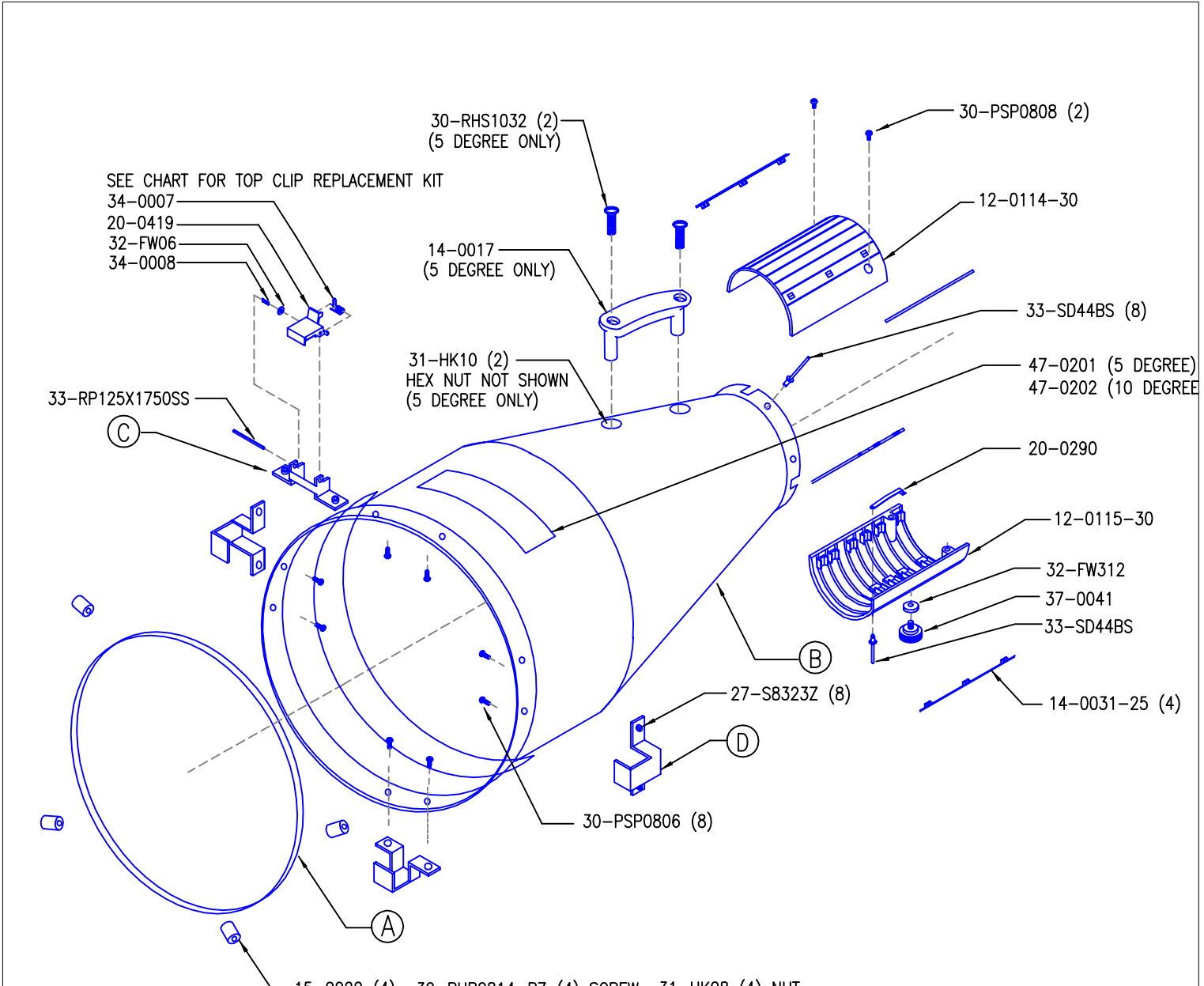
ALTMAN

Altman Lighting Co. Inc.
57 Alexander St., Yonkers, NY, 10701
Ph: (914) 476-7987 Fax: (914) 963-7304
<http://www.altmanltg.com>

Shakespeare 5 & 10 Degree Lens

Catalog No:	Assy No:	Description:	Revision:	Section:
S6-*		Shakespeare 5 & 10 Degree Lens Assemblies	D	3.4.4

Color Code: ● = Object ● = MFG. Number-Not for Sale ● = Obsolete ● = Part Number/Note **Bold** = Sub-Assembly



LENS ASSEMBLIES CROSS REFERENCE

FIXTURE	(A)	(B)	(C)	(D)	TOP CLIP KIT	SPINNING SUB ASSY
S6-5 DEGREE	18-2027	22-0054-25	20-0405	20-0404	70-0203	71-0507
S6-10 DEGREE	18-2026	22-0055-25	20-0407	20-0406	70-0202	71-0506

ALTMAN

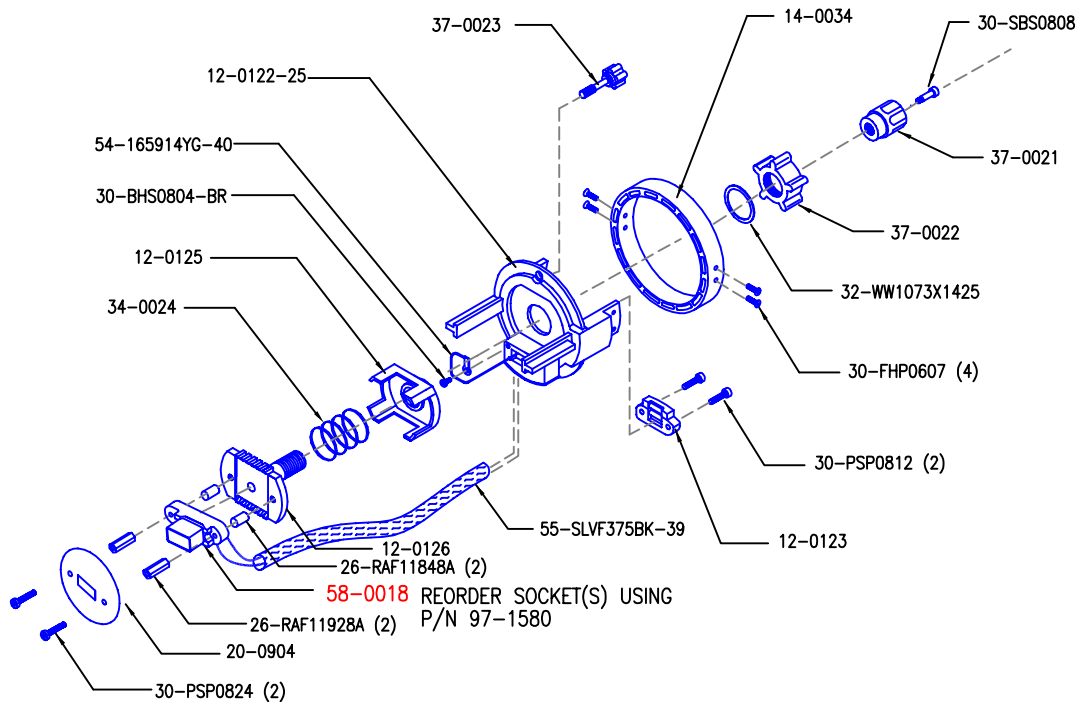
Altman Lighting Co. Inc.
 57 Alexander St., Yonkers, NY, 10701
 Ph: (914) 476-7987 Fax: (914) 963-7304
<http://www.altmanltg.com>

Shakespeare Socket Cap Assembly

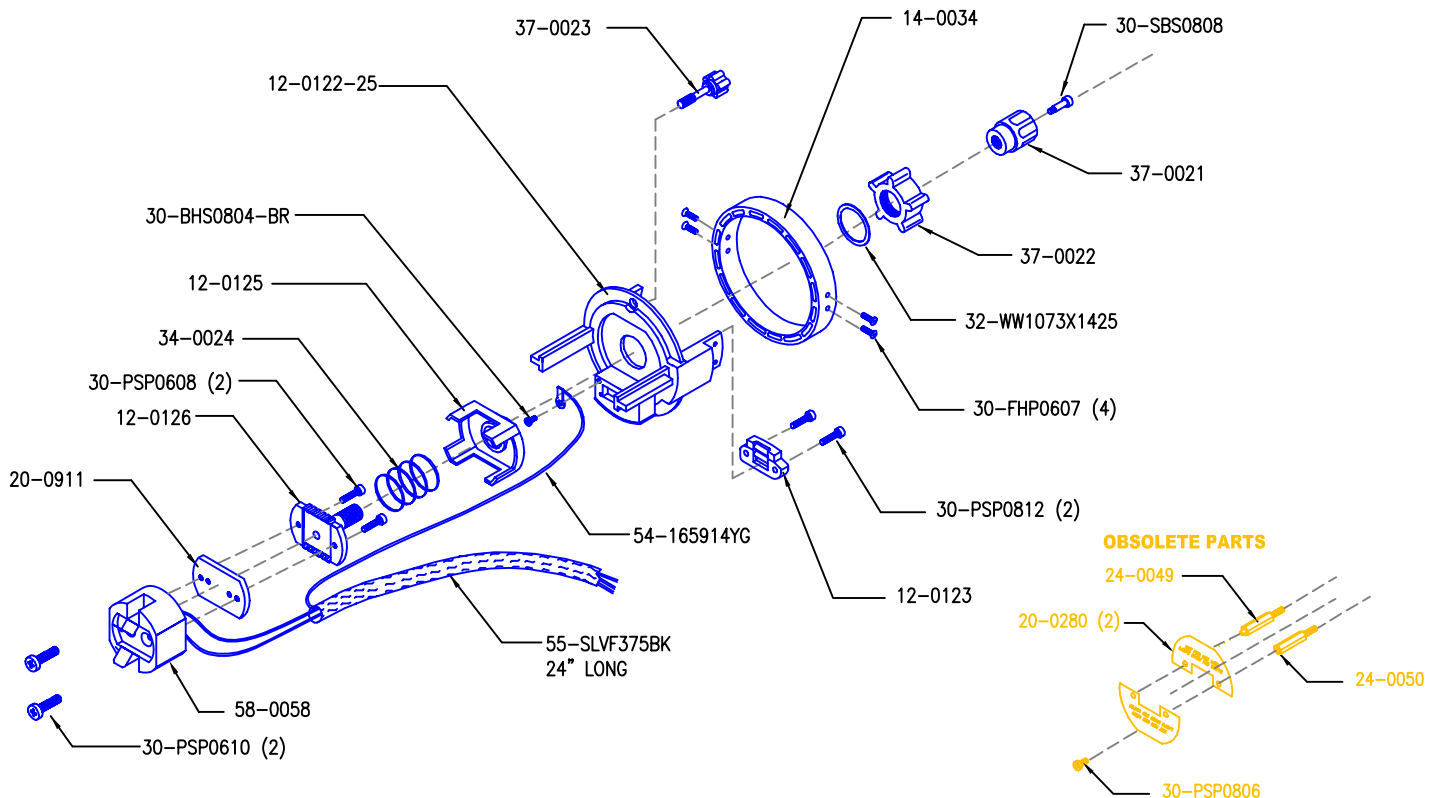
Catalog No:	Assy No:	Description:	Revision:	Section:
S6-* / S6C-*		New Style Shakespeare Socket Assy	F	3.4.5

Color Code: ● = Object ● = MFG. Number-Not for Sale ● = Obsolete ● = Part Number/Note **Bold** = Sub-Assembly

71-1021-25 S6-* SOCKET ASSY



71-1021-45 S6C-* SOCKET ASSY



ALTMAN

Altman Lighting Co. Inc.
57 Alexander St., Yonkers, NY, 10701
Ph: (914) 476-7987 Fax: (914) 963-7304
<http://www.altmanltg.com>