

CHALICE RECESSED LED DOWNLIGHT 50 Watt LED

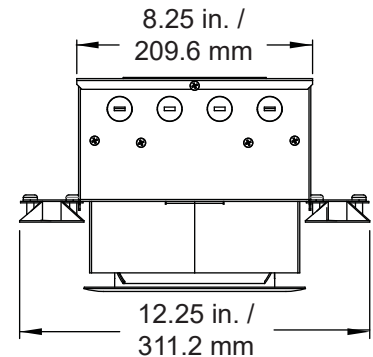
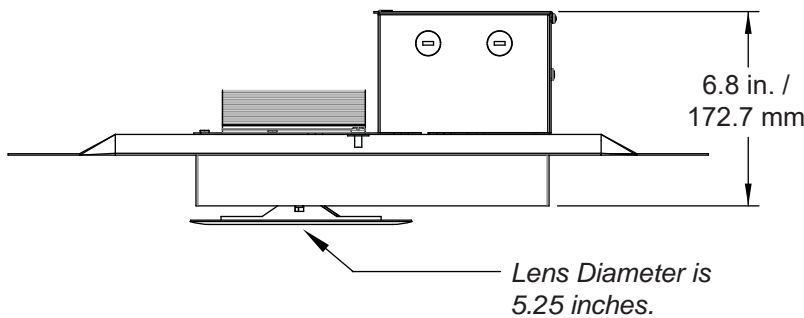
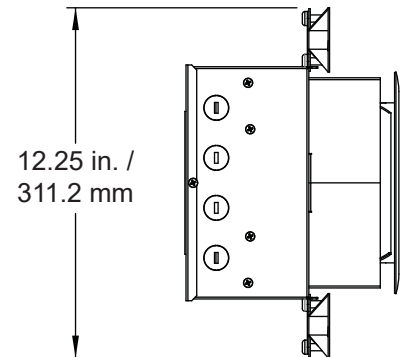
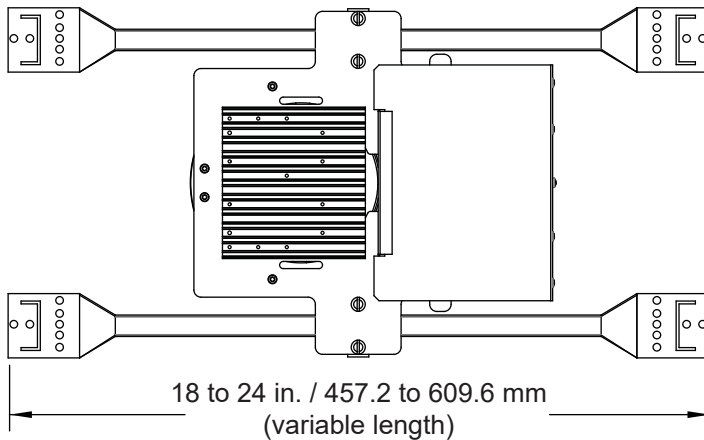
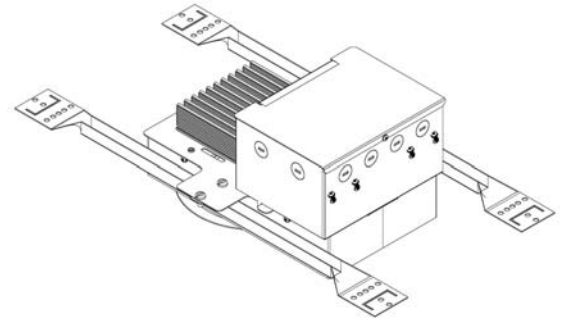
The 50W Recessed Chalice from Altman Lighting is a LED architectural downlight designed for permanent installation and energy savings. Offering all of the benefits and longevity of an LED luminaire, changing lamps in your fixtures has now become a thing of the past.

Adding a fixture into a DMX system control system is easy with the simple three-button DMX addressing that is easily accessible from the bottom of the fixture - set it once and enjoy a smoothly integrated and energy efficient illumination solution for your area of choice.

The 50W Recessed Chalice fixture is able to be controlled by your DMX Control console & architectural control system; for facilities without a DMX control system the 50W Recessed Chalice is also available in a mains dimmable fixture.

Product Features:

- 50W LED driver
- 5 interchangeable lenses
- DMX or Mains Dimmable (note, mains dimmable only available in a single color LED only)
- Push Button DMX Addressing and RDM compatibility
- DMX Pass through
- 8-bit or 16-bit selectable DMX modes
- cETLus listed for indoor applications
- Proudly made in the USA



Specifications

Materials: Construction employs all corrosion-resistant materials and hardware.

Housing: Corrosion resistant aluminum outer shell with aluminum interior components.

Control: Mains Dimmable or DMX / RDM

Light Engines: **DMX Models:** 50W LED Array - Available in 3000K, 3000K to 6000K Tunable White, RGBA, and RGBW. **Mains Dimmable Models:** 50W LED Array - Available in 3000K (standard), 4000K, and 6000K. Custom arrays available - consult factory before ordering.

LED Rated Life: LED array are rated for >50,000 hours of operation.

Input Voltage: 100-240 VAC 50/60 Hz
0.42A @120VAC
0.21A @ 240VAC

Cooling: Natural Convection

Environment: 0 to 40 degrees C (32 to 104 degrees F)

Trim Rings: Available in Black, White, or Custom (for custom colors, consult factory before ordering).

Weight: 12 Pounds (5.44Kg.)

Compliance: cETLus Listed

Ordering Information

CDR50-(LED Array)-(Trim Ring Color)-(Control)-(Voltage)

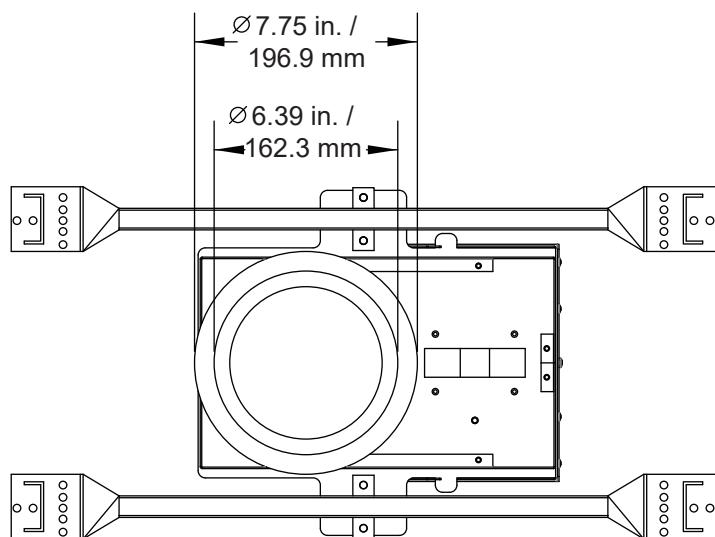
Model: CDR50 Chalice Recessed LED Luminaire
LED Array: RGBA or RGBW or 3K or 4K or 6K or 3K6K (tunable white) or Custom (C)*
Trim Ring Color: Black (B) or White (W) or Custom (C)*
Control: DMX Control (D) or Mains Dimmable (M)**
Voltage: 120VAC (120) or 220-240VAC (220)

Notes:
*Consult factory before ordering.
**Mains Dimmable models are only available with a single color LED array (not available in RGBA or RGBW).

Optional Accessories

18-CDR50-20 20°, 5.25" diameter Acrylic Lens
18-CDR50-30 30°, 5.25" diameter Acrylic Lens
18-CDR50-40 40°, 5.25" diameter Acrylic Lens
18-CDR50-60 60°, 5.25" diameter Acrylic Lens
SS-CDR50-P95 22°, 5.25" diameter Diffusion Lens
NOTE: The above lenses are for use with the CDR50 fixtures only and are not interchangeable with the CDP series luminaires.

SS-8CDL-DMX-TERM 120-Ohm DMX Terminator Kit



NOTE: Ceiling Cut Opening: 6-inches (minimum) to 7.5-inches (maximum).

