

SPECTRA CYC UV 50

50 Watt UV LED CYC

SSCYC50UV

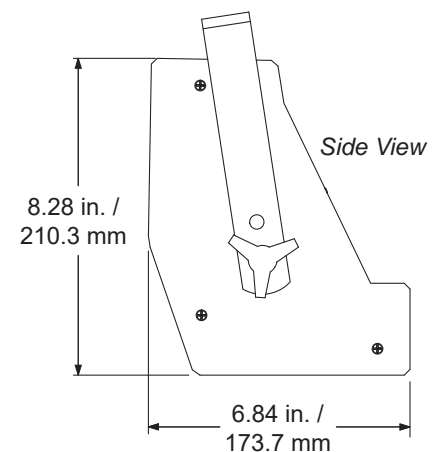
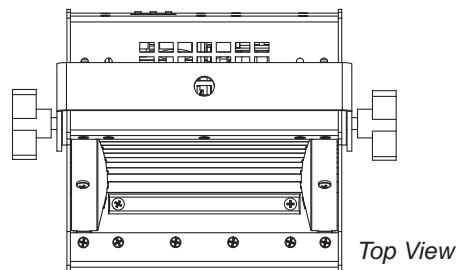
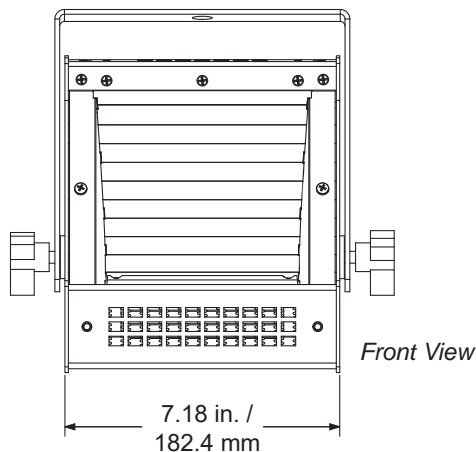
The Spectra Cyc UV 50 is a 50 Watt cyclorama wall wash luminaire utilizing high output 365nm UV LED emitters. Designed for theatrical and architectural applications, the Spectra Cyc UV 50 blends the output via a patented reflector providing smooth and even distribution.

Designed for use on 4-foot centers, individual units can be placed side by side for greater saturation of light. The Spectra Cyc UV 50 is compatible with both DMX and RDM protocols, and comes complete with a library of pre-programmed single colors to various color mixes. Units are made for floor, sky-cyc applications, or track mount applications.

Product Features:

- Uses 365nm UV LEDs
- Asymmetrical reflector designed for broad, even distribution
- On-board multi-voltage power supply 100-240VAC.
- Feed through power and data capabilities using PowerCON and 5-pin XLR connectors.
- Compatible with DMX and RDM protocols
- Push button addressing
- Preprogrammed modes for fixed colors, timed color changes and strobes.
- Includes dual "kick stand" style yoke
- Weight: 7 lbs. / 3.2 kg (approximate)
- Convection cooled, no fans
- cETLus listed for indoor use and CE marked
- Made in the USA

NOTE: A maximum recommended spacing is 4-foot on center, 2 to 4-foot back from lighted area. For a brighter, more saturated effect, Spectra Cyc UV 50 fixtures can be set closer together and to the lighted area.



Specifications

Materials:	Construction is corrosion-resistant materials and hardware.
Housing:	Lightweight aluminum fabrication.
Light Engine:	50 Watts Max at full
Reflector:	Proprietary curve, specular aluminum
Rating:	Multi-Voltage; 100-240 VAC operation
Data Ports:	1 Male & 1 Female flush mount 5-Pin XLR
Power Cable:	5-foot, PowerCON in and standard connector.
AC Out:	Flush mount PowerCON for feed thru power to other Spectra Cyc units only. A maximum of 30 Spectra Cyc UV 50 fixtures per power daisy chain or as permitted by circuit capacity.
Finish:	Black or White. Custom colors available - consult factory before ordering.
Weight:	Approx. 7 lbs. (3.2 kg)

Ordering Information

SSCYCUV50-(Body Color)

Models: SSCYCUV50 Spectra Cyc UV 50
 Body Colors: Black (B) or White (W) or Custom (C)*

SSCYCUV50Y-(Body Color)

Models: SSCYCUV50Y Spectra Cyc UV 50 for Smart Track
 Body Colors: Black (B) or White (W) or Custom (C)*

*Black (B) or White (W) or Custom (C). Consult factory for custom colors.

Optional Accessories

SC-36-BK	Safety Cable
510	Malleable Iron Pipe Clamp
SS-CYC50-CF-**	50 Watt Spectra Cyc Color Frame
SS-CYC50-YOKE	Yoke with Hardware and 510 Clamp (<i>Note, one SS-CYC50-YOKE is included with SSCYCUV50</i>)

**Black (B) or White (W) or Custom (C). Consult factory for custom colors.