

450 SERIES FLUSH FLOOR BOXES

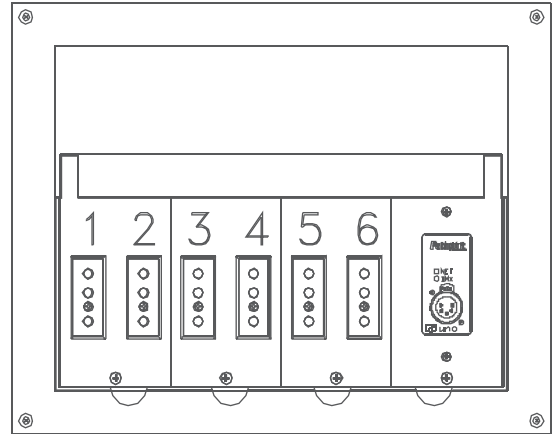
Flush floor boxes, sometimes called floor pockets, are designed to be permanently mounted in the stage floor, flush with the stage surface. These pockets provide safe temporary connection for theatrical luminaires, minimizing cable crossings.

When not in use, the hinged cast aluminum cover remains flush with the stage floor, yet lifts easily to insert or remove the cable connector. Floor boxes are available in a multitude of configurations and designs.

Altman Lighting's 450 series power and data distribution make the perfect addition to any space needing a clean and elegant solution to recessed floor power needs.

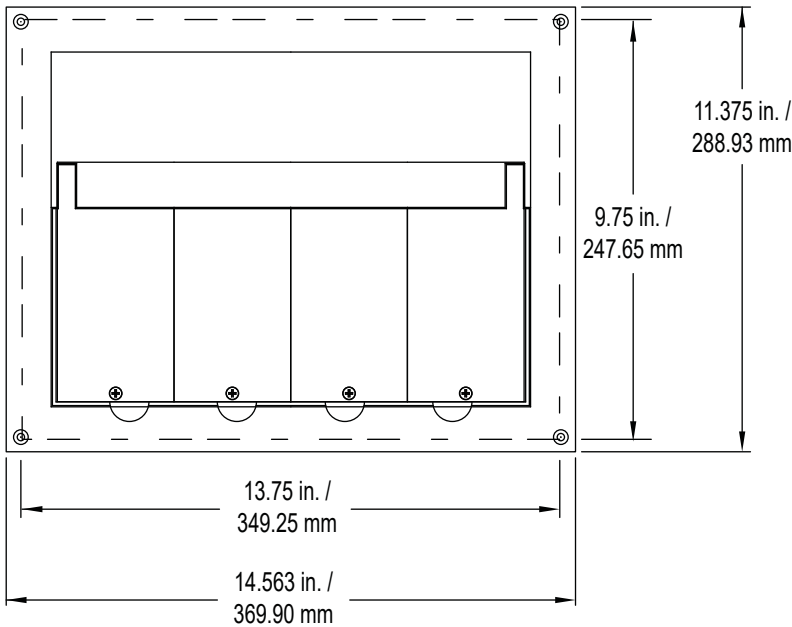
Product Features:

- 18-gauge galvanized steel enclosure with multiple knockouts
- Baked black enamel finish
- Rugged cast aluminum hinged cover with finger hole
- Cover provided with nonskid tread pattern and cable notches
- Cover remains flush with floor at all times (self closing)
- Available with multiple types of receptacles
- Meets N.E.C. requirements for installation in concrete
- cETLus Listed
- Proudly made in the U.S.A.

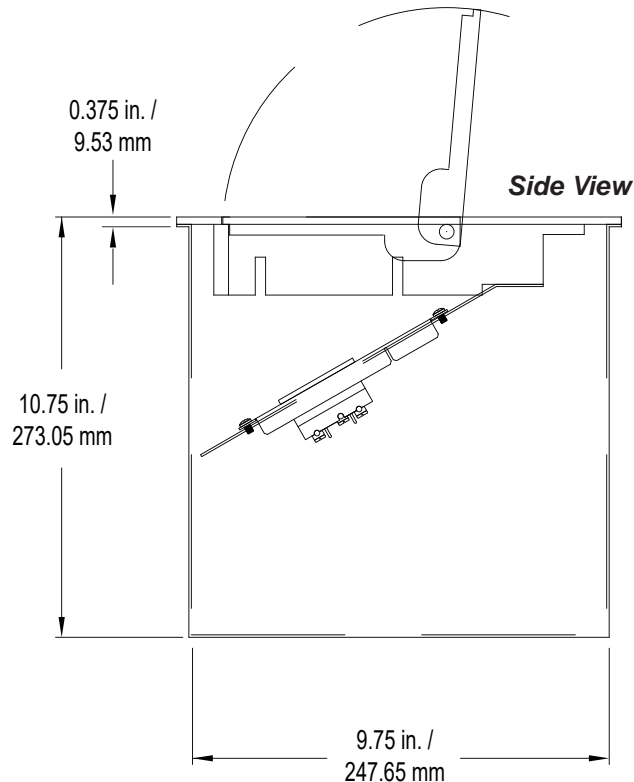


Flush Floor Box Example - Shown with three duplex stage pin and UNO DMX panel

Top View



Side View



Modular Plug Box Ordering

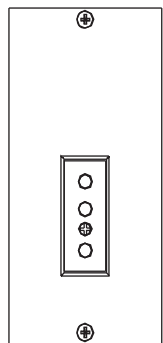
Ordering Code: FF-701*CUS-(Qty)-(connector type or DMX module or Blank Panel)

Notes:

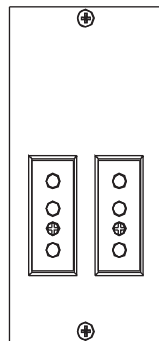
Floor Box Style 4 Gang Flush Floor Boxes do not include panels or receptacles.

You must indicate how many of each connector type and/or DMX module and/or blank panel. Each box accommodates four single-gang total spaces.

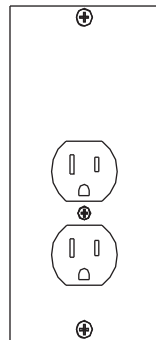
Standard color is Black finish. For available custom colors, consult factory.



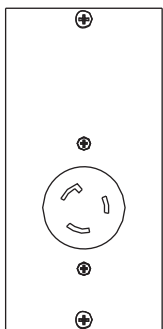
Stage Pin Example



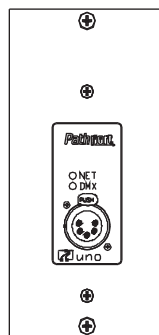
Duplex Stage Pin Example



Duplex Edison Example



Twist Lock Example



DMX UNO Node Example



3-inch Blank Panel Example

Note: All examples shown are single space (single gang).

Flush Floor Box Options

Connector Types

Code	Description
2PGFL	20A Stage Pin, Flush
2PGFLDUP	20A Stage Pin, Duplex, Flush (2 receptacles mounted vertical per panel)
302PGFL	30A Stage Pin, Flush
602PGFL	60A Stage Pin, Flush
1002PGFL	100A Stage Pin, Flush
520R	20A Female Edison, Flush
520DUP	20A Female Edison, Duplex, Flush
L515R	15A, 125V Female Twist Lock, Flush
L520R	20A, 125V Female Twist Lock, Flush
L620R	20A, 250V Female Twist Lock, Flush
20MPB	20A Female PowerCON, Flush

NOTE: Each part number above is one gang (3-inches wide) and occupies one space. Each flush box allows for four spaces. Order blank panels as necessary.

Blank Panels

Code	Description
3"	3-inch Blank Panel (one space)
6"	6-inch Blank Panel (two adjacent spaces)

DMX Modules

Code	Description
XLR3M (74-1976)	XLR 3 Pin Decora Male Panel with rear box (Decora Style)
XLR3F (74-1977)	XLR 3 Pin Decora Female Panel with rear box (Decora Style)
XLR5M (74-1981)	XLR 5 Pin Decora Male Panel with rear box (Decora Style)
XLR5F (74-1982)	XLR 5 Pin Decora Female Panel with rear box (Decora Style)
RJ45 (74-1986)	Ethernet RJ45 Decora Panel with rear box (Decora Style)
BPS (74-1987)	DMX By-Pass Switch XLR 5 Pin Male/Female Panel with rear box (Decora Style)
UNO5M	Single DMX input UNO Node XLR 5 Pin Male Panel with rear box
UNO5F	Single DMX output UNO Node XLR 5 Pin Female Panel with rear box

NOTE: 3-inch Decora style DMX panels for plug boxes are direct wire by user and include rear RACO shielding box. Screw terminal blocks are provided on rear of connectors.