

CHALICE PENDANT LED DOWNLIGHT

150 Watt LED

The Chalice 150 LED pendant downlight follows the Altman Lighting tradition of lighting quality. Designed specifically for the demands of theaters, churches and public venues, the Chalice 150 is a 145 Watt White LED pendant fixture that is an energy-efficient solution to general lighting needs.

The Chalice 150 addresses and alleviates the typical maintenance routines in difficult-to-access locations. The Chalice 150 uses a single-point source for optimal beam control, and offers a variety of reflector options for ceiling heights from 15 to 50 feet. Its powerful and clean non-pixelated and non-granulated output blends to seamless coverage in the most elegant setting.

Extremely smooth dimming reproduces the comfortable feel of traditional incandescent sources, at a fraction of the power consumption. Available in either Mains Dimming or DMX control allows each fixture to be controlled independently or in groups, from an architectural control system and/or directly from a theatrical control console.

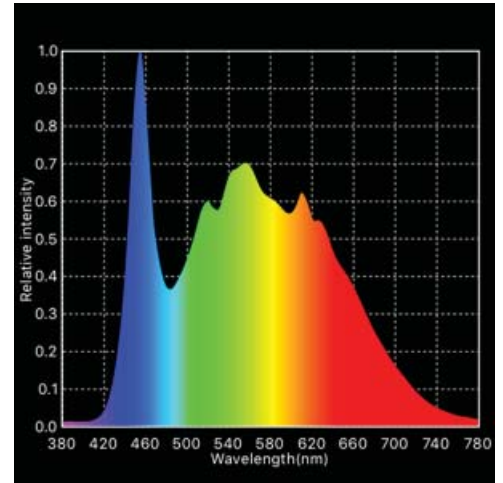
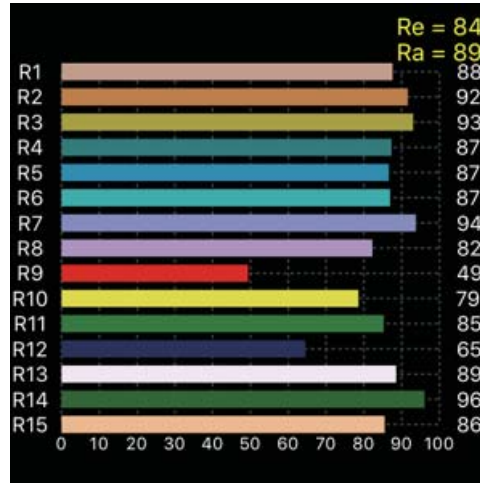


Product Features:

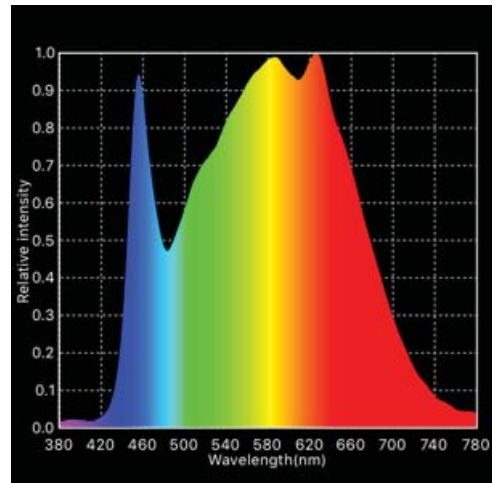
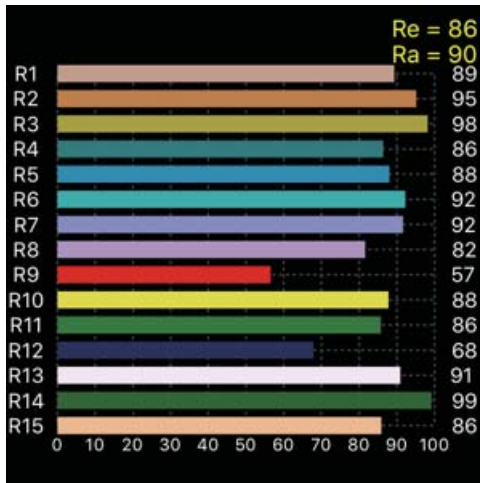
- 150W LED driver
- 7 interchangeable reflectors
- CCT options 2700K, 3000K, 4000K, or 5000K
- 40° swivel ball ceiling mount
- DMX or Mains Dimmable
- Push Button DMX Addressing and RDM compatibility
- DMX Pass through
- Single channel high resolution DMX
- Selectable actions on loss of control signal (for DMX models only)
- Available in white, black or custom colors
- cETLus listed for indoor applications
- Proudly made in the USA

Photometric Performance

| CHALICE CDP150 PHOTOMETRIC SCORE CARD – 5000K | |
|---|-------|
| CCT | 5236 |
| DUV | .0056 |
| CRI | 89 |
| CQS | 87 |
| RE (R1-15) | 84 |
| TLCI (Qa) | 89.3 |
| TM-30-15 rf | 86 |
| TM-30-15 rg | 96 |



| CHALICE CDP150 PHOTOMETRIC SCORE CARD – 4000K | |
|---|-------|
| CCT | 3940 |
| DUV | .0034 |
| CRI | 90 |
| CQS | 89 |
| RE (R1-15) | 86 |
| TLCI (Qa) | 90.3 |
| TM-30-15 rf | 86 |
| TM-30-15 rg | 94 |



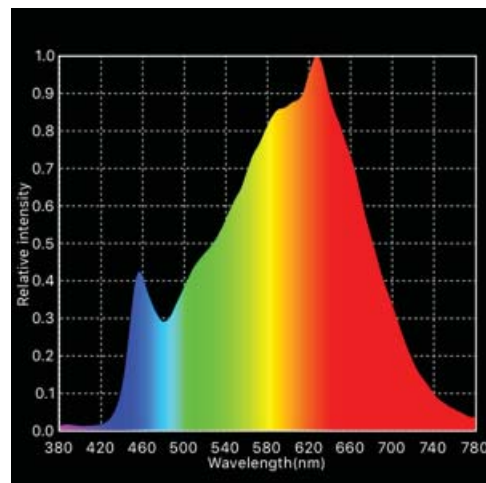
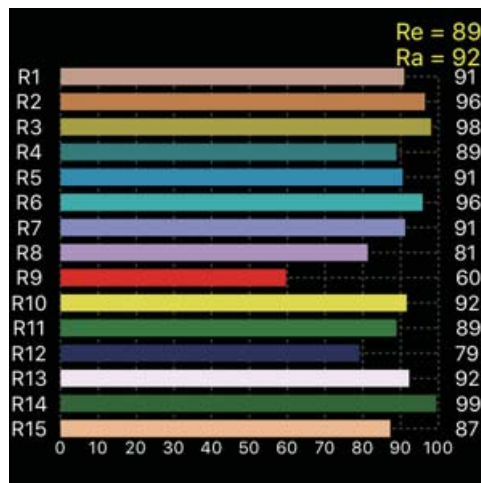
Additional information continued on next page.

Note: Complete TM-30 information can be found in the CDP150 Photometrics information sheet. This document is found on the Altman Lighting web site in the CDP150 pendant luminaire Support section.

Photometric Performance (continued)

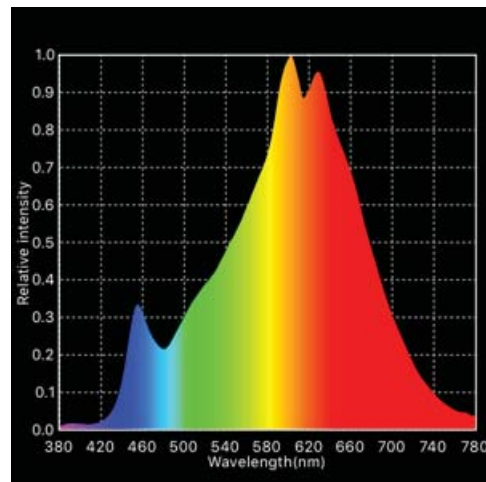
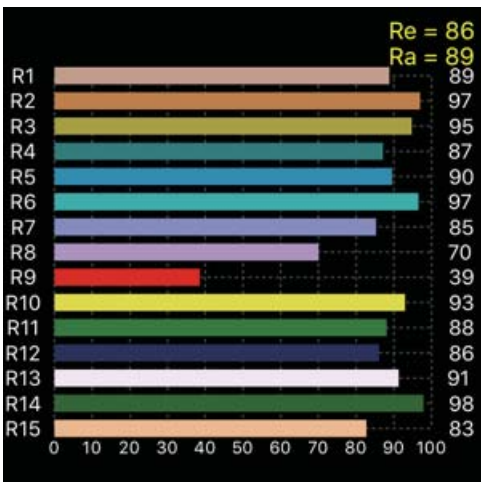
**CHALICE CDP150
PHOTOMETRIC SCORE
CARD – 3000K**

| | |
|-------------|-------|
| CCT | 3014 |
| DUV | .0022 |
| CRI | 92 |
| CQS | 91 |
| RE (R1-15) | 89 |
| TLCI (Qa) | 92.3 |
| TM-30-15 rf | 88 |
| TM-30-15 rg | 95 |



**CHALICE CDP150
PHOTOMETRIC SCORE
CARD – 2700K**

| | |
|-------------|---------|
| CCT | 2679 |
| DUV | -0.0015 |
| CRI | 89 |
| CQS | 89 |
| RE (R1-15) | 86 |
| TLCI (Qa) | 84.4 |
| TM-30-15 rf | 88 |
| TM-30-15 rg | 97 |



Note: Complete TM-30 information can be found in the CDP150 Photometrics information sheet. This document is found on the Altman Lighting web site in the CDP150 pendant luminaire Support section.

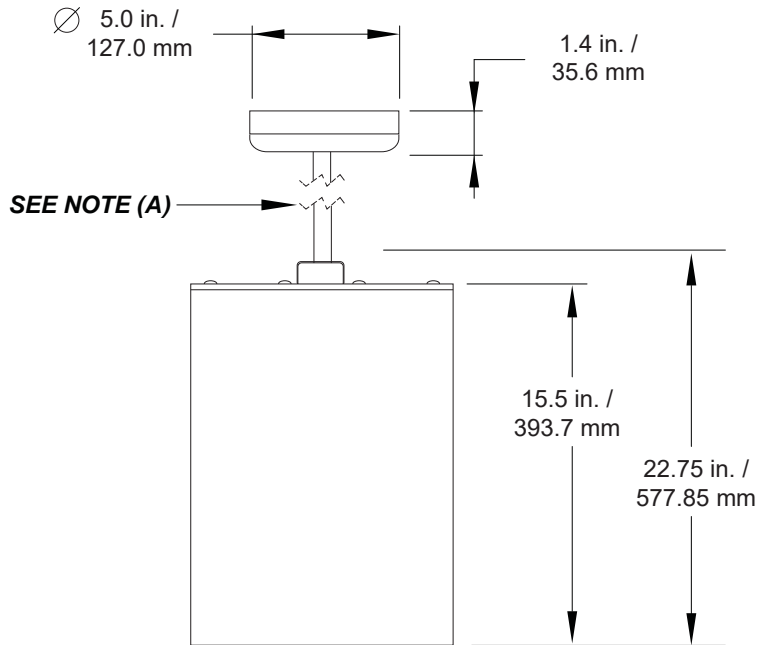
Photometric Performance

Photometric data taken with CDP150 fixture at the shown CCT values. Some Clipping of the beam will occur with the use of the 91 degree Extra Wide Flood Reflector please see Chalice 150 IES files on the Altman Lighting web site for additional beam characteristics.

| CCT | Reflector Type | Lumen Output | 10'-0" (3.048m) | 20'-0" (6.096m) | 30'-0" (9.144m) | 40'-0" (12.192m) | 50'-0" (15.240m) | |
|----------------------------|------------------------|--------------|--------------------|--------------------|--------------------|---------------------|---------------------|-----|
| 5000K | 20 Degree Narrow Spot | 13765.0 | 595.0 | 148.8 | 66.1 | 9.3 | 4.1 | fc |
| | | | 6402.2 | 1600.6 | 711.4 | 100.0 | 44.5 | lux |
| | 29 Degree Spot | 11366.0 | 272.0 | 68.0 | 30.2 | 4.3 | 1.9 | fc |
| | | | 2926.7 | 731.7 | 325.2 | 45.7 | 20.3 | lux |
| | 39 Degree Narrow Flood | 10529.0 | 129.0 | 32.3 | 14.3 | 2.0 | 0.9 | fc |
| | | | 1388.0 | 347.0 | 154.2 | 21.7 | 9.6 | lux |
| | 46 Degree Medium Flood | 10367.0 | 160.0 | 40.0 | 17.8 | 2.5 | 1.1 | fc |
| | | | 1721.6 | 430.4 | 191.3 | 26.9 | 12.0 | lux |
| 51 Degree Wide Flood | 10744.0 | 109.0 | 27.3 | 12.1 | 1.7 | 0.8 | fc | |
| | | 1172.8 | 293.2 | 130.3 | 18.3 | 8.1 | lux | |
| 64 Degree Very Wide Flood | 12303.0 | 108.0 | 27.0 | 12.0 | 1.7 | 0.8 | fc | |
| | | 1162.1 | 290.5 | 129.1 | 18.2 | 8.1 | lux | |
| 91 Degree Extra Wide Flood | 10780.0 | 52.0 | 13.0 | 5.8 | 0.8 | 0.4 | fc | |
| | | 559.5 | 139.9 | 62.2 | 8.7 | 3.9 | lux | |
| 4000K | 20 Degree Narrow Spot | 12949.0 | 555.0 | 138.8 | 61.7 | 8.7 | 3.9 | fc |
| | | | 5971.8 | 1493.0 | 663.5 | 93.3 | 41.5 | lux |
| | 29 Degree Spot | 10688.0 | 246.0 | 61.5 | 27.3 | 3.8 | 1.7 | fc |
| | | | 2647.0 | 661.7 | 294.1 | 41.4 | 18.4 | lux |
| | 39 Degree Narrow Flood | 9909.0 | 122.0 | 30.5 | 13.6 | 1.9 | 0.8 | fc |
| | | | 1312.7 | 328.2 | 145.9 | 20.5 | 9.1 | lux |
| | 46 Degree Medium Flood | 9748.0 | 148.0 | 37.0 | 16.4 | 2.3 | 1.0 | fc |
| | | | 1592.5 | 398.1 | 176.9 | 24.9 | 11.1 | lux |
| 51 Degree Wide Flood | 10094.0 | 99.0 | 24.8 | 11.0 | 1.5 | 0.7 | fc | |
| | | 1065.2 | 266.3 | 118.4 | 16.6 | 7.4 | lux | |
| 64 Degree Very Wide Flood | 11572.0 | 104.0 | 26.0 | 11.6 | 1.6 | 0.7 | fc | |
| | | 1119.0 | 279.8 | 124.3 | 17.5 | 7.8 | lux | |
| 91 Degree Extra Wide Flood | 10144.0 | 51.0 | 12.8 | 5.7 | 0.8 | 0.4 | fc | |
| | | 548.8 | 137.2 | 61.0 | 8.6 | 3.8 | lux | |
| 3000K | 20 Degree Narrow Spot | 11746.0 | 507.0 | 126.8 | 56.3 | 7.9 | 3.5 | fc |
| | | | 5455.3 | 1363.8 | 606.1 | 85.2 | 37.9 | lux |
| | 29 Degree Spot | 9697.0 | 229.0 | 57.3 | 25.4 | 3.6 | 1.6 | fc |
| | | | 2464.0 | 616.0 | 273.8 | 38.5 | 17.1 | lux |
| | 39 Degree Narrow Flood | 8983.0 | 112.0 | 28.0 | 12.4 | 1.8 | 0.8 | fc |
| | | | 1205.1 | 301.3 | 133.9 | 18.8 | 8.4 | lux |
| | 46 Degree Medium Flood | 8845.0 | 135.0 | 33.8 | 15.0 | 2.1 | 0.9 | fc |
| | | | 1452.6 | 363.2 | 161.4 | 22.7 | 10.1 | lux |
| 51 Degree Wide Flood | 9155.0 | 92.0 | 23.0 | 10.2 | 1.4 | 0.6 | fc | |
| | | 989.9 | 247.5 | 110.0 | 15.5 | 6.9 | lux | |
| 64 Degree Very Wide Flood | 10499.0 | 95.0 | 23.8 | 10.6 | 1.5 | 0.7 | fc | |
| | | 1022.2 | 255.6 | 113.6 | 16.0 | 7.1 | lux | |
| 91 Degree Extra Wide Flood | 9196.0 | 44.0 | 11.0 | 4.9 | 0.7 | 0.3 | fc | |
| | | 473.4 | 118.4 | 52.6 | 7.4 | 3.3 | lux | |
| 2700K | 20 Degree Narrow Spot | 11016.0 | 476.0 | 119.0 | 52.9 | 7.4 | 3.3 | fc |
| | | | 5121.8 | 1280.4 | 569.1 | 80.0 | 35.6 | lux |
| | 29 Degree Spot | 9097.0 | 211.0 | 52.8 | 23.4 | 3.3 | 1.5 | fc |
| | | | 2270.4 | 567.6 | 252.3 | 35.5 | 15.8 | lux |
| | 39 Degree Narrow Flood | 8426.0 | 104.0 | 26.0 | 11.6 | 1.6 | 0.7 | fc |
| | | | 1119.0 | 279.8 | 124.3 | 17.5 | 7.8 | lux |
| | 46 Degree Medium Flood | 8294.0 | 124.0 | 31.0 | 13.8 | 1.9 | 0.9 | fc |
| | | | 1334.2 | 333.6 | 148.2 | 20.8 | 9.3 | lux |
| 51 Degree Wide Flood | 8685.0 | 87.0 | 21.8 | 9.7 | 1.4 | 0.6 | fc | |
| | | 936.1 | 234.0 | 104.0 | 14.6 | 6.5 | lux | |
| 64 Degree Very Wide Flood | 9849.0 | 89.0 | 22.3 | 9.9 | 1.4 | 0.6 | fc | |
| | | 957.6 | 239.4 | 106.4 | 15.0 | 6.7 | lux | |
| 91 Degree Extra Wide Flood | 8627.0 | 44.0 | 11.0 | 4.9 | 0.7 | 0.3 | fc | |
| | | 473.4 | 118.4 | 52.6 | 7.4 | 3.3 | lux | |

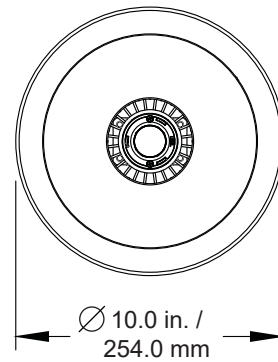
Dimensional Drawing

Pendant Mount

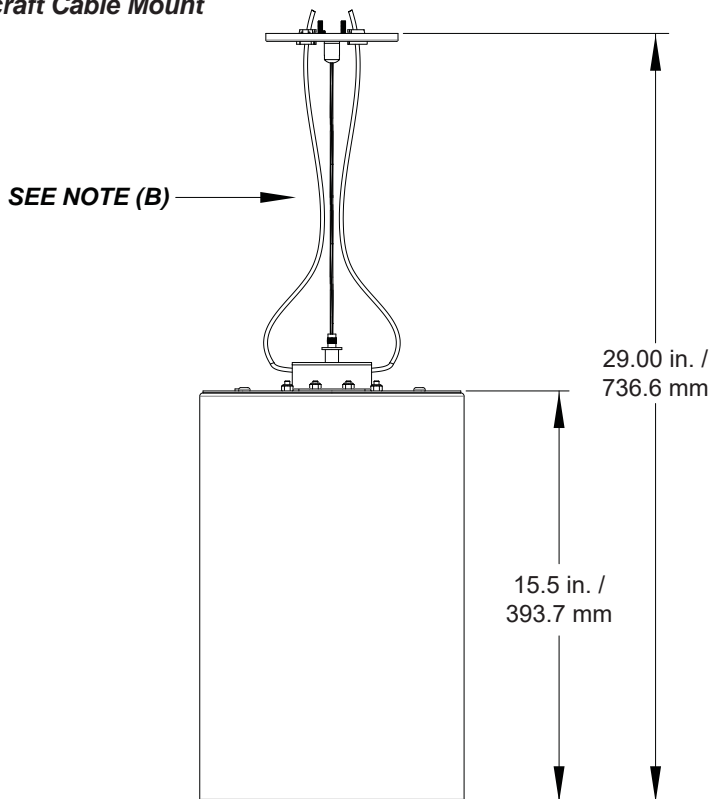


NOTES:

- (A) Specify Length of stem: 6 in. / 152.4 mm (minimum) to 72 in. Measurement shown with 6-inch stem for reference only.

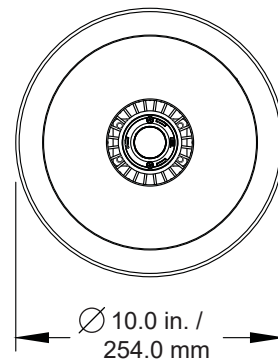


Aircraft Cable Mount



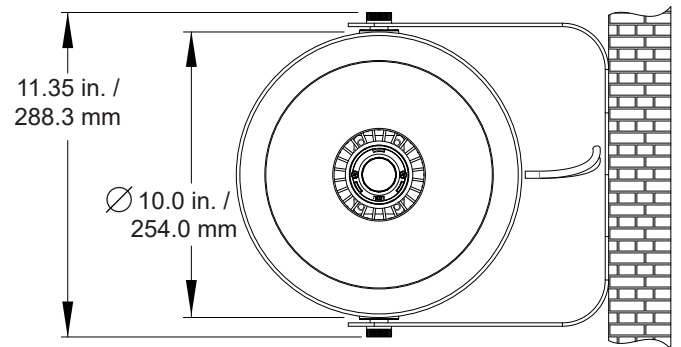
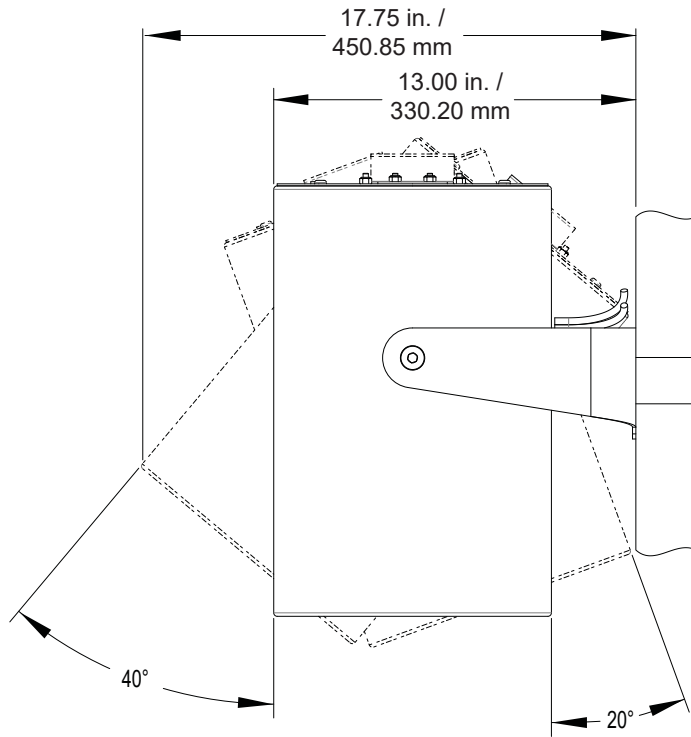
NOTES:

- (B) Specify Length of aircraft cable: Up to 20 ft. / 6.1 m. Measurement shown with 12-inch cable for reference only.

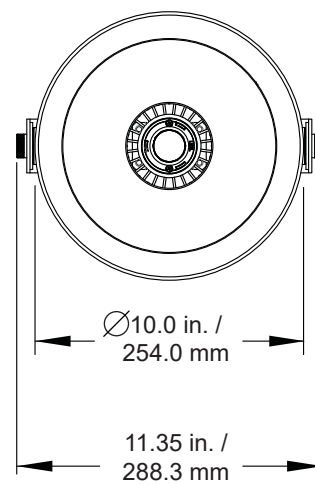
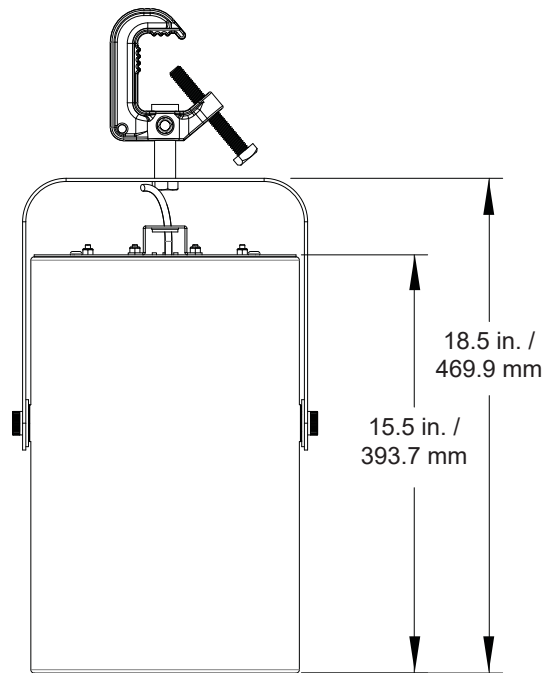


Dimensional Drawing

Wall Mount



Yoke Mount



Specifications

| | |
|------------------------|---|
| Materials: | Construction employs all corrosion-resistant materials and hardware. |
| Control: | Mains Dimmable or DMX / RDM |
| Light Engines: | 145W LED Array - Available in 2700K, 3000K, 4000K or 5000K White |
| LED Rated Life: | LED array are rated for >50,000 hours of operation. |
| Input Voltage: | DMX Models: 100-277 VAC 50/60 Hz Mains Dimmable Models: 100-240 VAC 50/60 Hz |
| Current Draw: | DMX Models: 1.2A @ 120VAC / 0.68A @220VAC / 0.58A @ 277VAC Mains Dimmable Models: 1.01A @120VAC / 0.50A @ 240VAC |
| Power Factor: | > 0.92 @ Full Load (Mains Dimmable Models) |
| Current Inrush: | 15Apk Max 1/2 cycle @230VAC (Mains Dimmable Models) |
| Quiescent Load: | 3.1 Watts (DMX Models Only) |
| Light Engine | |
| Cooling: | Natural Convection |
| Environment: | 0 to 40 degrees C (32 to 104 degrees F) / 5%-95% Non condensing |
| Weight: | 17.6 lbs. (8.0 Kg.) |
| Compliance: | cETLus Listed |

Ordering Information

CDA150-(LED Array)-(Body Color)-(Control)-(Voltage)

| | |
|--------------------|--|
| Model: | CDA150 Chalice Pendant Aircraft Cable LED Luminaire* |
| LED Array: | 2K (2700K), 3K (3000K), 4K (4000K) or 5K (5000K) |
| Body Color: | Black (B) or White (W) or Custom (C)** |
| Control: | DMX Control (D) or Mains Dimmable (M)**** |
| Voltage: | 120 (120VAC), 220 (220VAC), or 277 (277VAC) |

CDP150-(LED Array)-(Body Color)-(Control)-(Voltage)

| | |
|--------------------|--|
| Model: | CDP150 Chalice Pendant LED Luminaire** |
| LED Array: | 2K (2700K), 3K (3000K), 4K (4000K) or 5K (5000K) |
| Body Color: | Black (B) or White (W) or Custom (C)** |
| Control: | DMX Control (D) or Mains Dimmable (M)**** |
| Voltage: | 120 (120VAC), 220 (220VAC), or 277 (277VAC) |

CDY150-(LED Array)-(Body Color)-(Control)-(Voltage)

| | |
|--------------------|--|
| Model: | CDY150 Chalice Yoke Mount LED Luminaire |
| LED Array: | 2K (2700K), 3K (3000K), 4K (4000K) or 5K (5000K) |
| Body Color: | Black (B) or White (W) or Custom (C)** |
| Control: | DMX Control (D) or Mains Dimmable (M)**** |
| Voltage: | 120 (120VAC), 220 (220VAC), or 277 (277VAC) |

CDW150-(LED Array)-(Body Color)-(Control)-(Voltage)

| | |
|--------------------|--|
| Model: | CDW150 Chalice Wall Mount LED Luminaire |
| LED Array: | 2K (2700K), 3K (3000K), 4K (4000K) or 5K (5000K) |
| Body Color: | Black (B) or White (W) or Custom (C)** |
| Control: | DMX Control (D) or Mains Dimmable (M)**** |
| Voltage: | 120 (120VAC), 220 (220VAC), or 277 (277VAC) |

Notes:

* *Mounting: Maximum length for Aircraft cable = 20'-0" (6.1 m)*

** *Mounting: Minimum length of Pendant = 6" (152mm) to 72" (1.8 m) maximum.*

****Consult factory before ordering.*

*****Mains Dimmable models available in 120VAC or 220VAC only.*

Optional Accessories

| | |
|---------------------|--|
| 19-F13379 | 20 Degree Narrow Spot Reflector |
| 19-F13380 | 29 Degree Spot Reflector |
| 19-F13325 | 39 Degree Narrow Flood Reflector |
| 19-F13381 | 46 Degree Medium Flood Reflector |
| 19-F13401 | 51 Degree Wide Flood Reflector |
| 19-F13402 | 64 Degree Very Wide Flood Reflector |
| 19-F13838 | 91 Degree Extra Wide Flood Reflector |
| 510 | Malleable Iron Pipe Clamp |
| 99-C545-S-* | Ball Mount Assembly |
| 70-3980 | Aircraft Cable Suspension Assembly (natural silver only) |
| CDP150-TH-* | CDP150 Top Hat |
| CDP150-HTH-* | CDP150 Half Top Hat |
| CDP150-BD-* | CDP150 four flap Barn Door |
| 61-0265 | RAD (Remote Authorization Device) for remotely addressing fixtures via RDM |

*Note: * For these optional accessories, specify color Black (B), White (W) or Custom (C). For custom colors, consult factory before ordering.*