

CHALICE RECESSED LED DOWNLIGHT 70 Watt LED

The Chalice 70 recessed LED downlight follows the Altman Lighting tradition of lighting quality. Designed specifically for the demands of theaters, churches and public venues, the Chalice 70 is a 70 Watt White LED recessed fixture that is an energy-efficient solution to general lighting needs.

The Chalice 70 addresses and alleviates the typical maintenance routines of changing lamps and ballasts in difficult-to-access locations. The Chalice 70 uses a single-point source for optimal beam control, and offers a variety of reflector options for ceiling heights from 15 to 50 feet. Its powerful and clean non-pixelated and non-granulated output blends to seamless coverage in the most elegant setting.

Extremely smooth dimming reproduces the comfortable feel of traditional incandescent sources, at a fraction of the power consumption. Available in either Mains Dimming or DMX control allows each fixture to be controlled independently or in groups, from an architectural control system and/or directly from a theatrical control console.

Product Features:

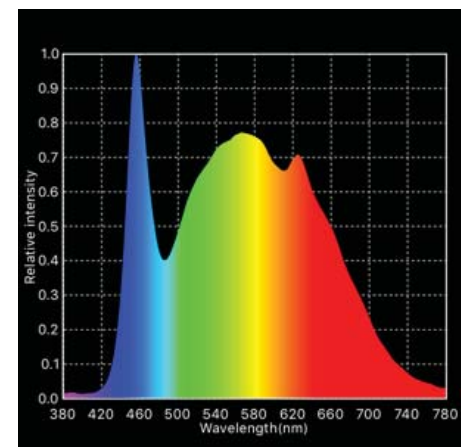
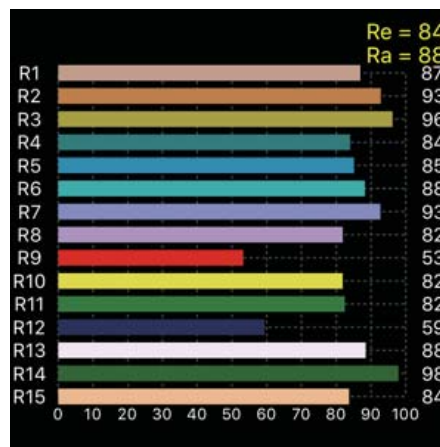
- 70W LED driver
- 7 interchangeable reflectors
- CCT options 2700K, 3000K, 4000K, or 5000K
- Available in both new construction, remodeler, and sloped ceiling versions
- DMX or Mains Dimmable
- Push Button DMX Addressing and RDM compatibility
- DMX Pass through
- Single channel high resolution DMX
- Selectable actions on loss of control signal (for DMX models only)
- Available in white, black or custom colors
- cETLus listed and CE marked for indoor applications
- Proudly made in the USA



DMX Version

Photometric Performance

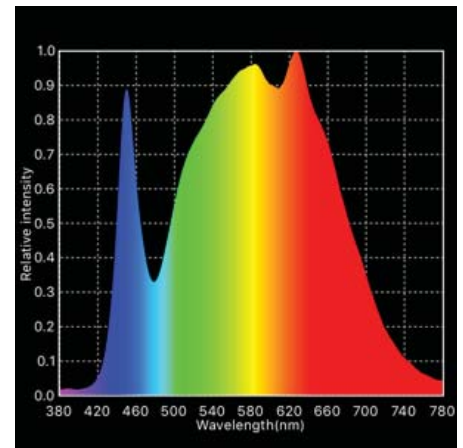
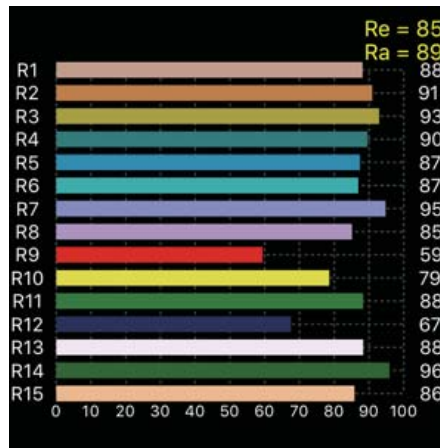
CHALICE CDR70 PHOTOMETRIC SCORE CARD – 5000K	
CCT	4692
DUV	.0056
CRI	90
CQS	87
RE(R1-15)	84
TLCI Qa)	89.8
TM-30-15 rf	85
TM-30-15 rg	94



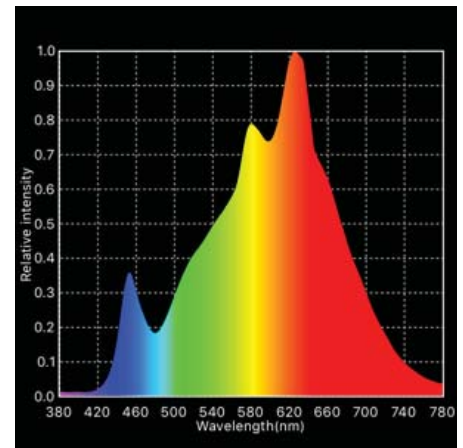
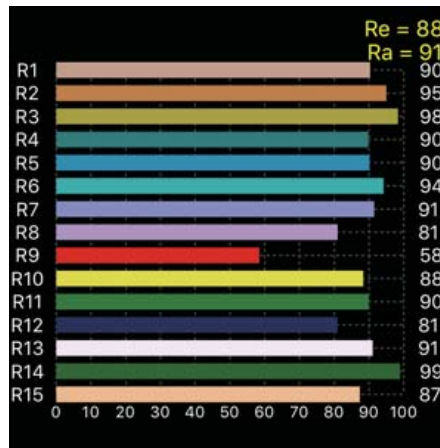
Note: Other CCT values continued on next page.

Photometric Performance (continued)

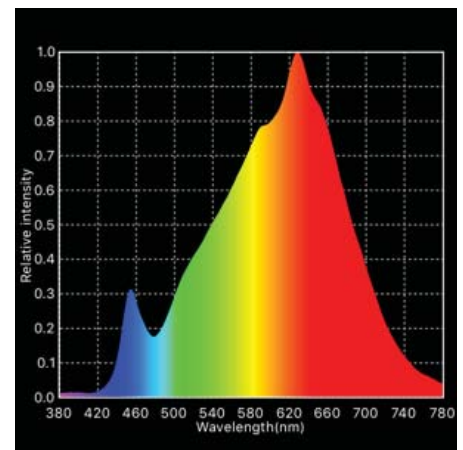
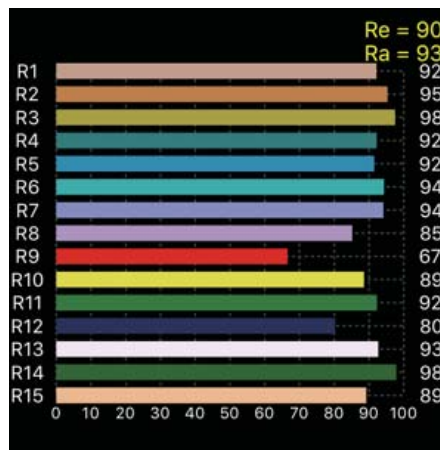
CHALICE CDR70 PHOTOMETRIC SCORE CARD – 4000K	
CCT	3927
DUV	.0039
CRI	90
CQS	89
RE(R1-15)	85
TLCI Qa)	91.6
TM-30-15 rf	89
TM-30-15 rg	98



CHALICE CDR70 PHOTOMETRIC SCORE CARD – 3000K	
CCT	2826
DUV	-.0033
CRI	91
CQS	91
RE(R1-15)	88
TLCI Qa)	89.3
TM-30-15 rf	90
TM-30-15 rg	99



CHALICE CDR70 PHOTOMETRIC SCORE CARD – 2700K	
CCT	2750
DUV	.0018
CRI	93
CQS	93
RE(R1-15)	90
TLCI Qa)	94.2
TM-30-15 rf	91
TM-30-15 rg	98



Note: Complete TM-30 information can be found in the CDR70 Photometrics information sheet. This document is found on the Altman Lighting web site in the CDR70 pendant luminaire Support section.

Photometric Performance

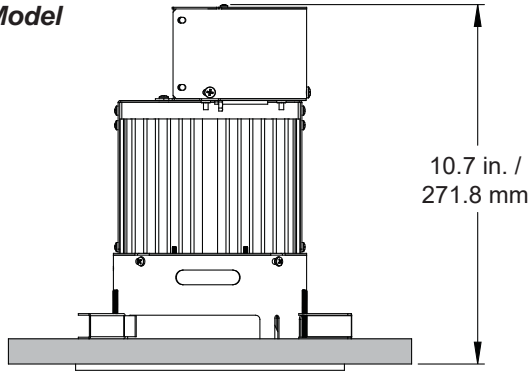
Photometric data taken with CDR70 fixture at the shown CCT values. Some Clipping of the beam will occur with the use of the 91 degree Extra Wide Flood Reflector please see Chalice 70 IES files on the Altman Lighting web site for additional beam characteristics.

CCT	Reflector Type	Lumen Output	10'-0" (3.048m)	20'-0" (6.096m)	30'-0" (9.144m)	40'-0" (12.192m)	50'-0" (15.240m)	
5000K	20 Degree Narrow Spot	7016.0	554.3	138.6	61.6	8.7	3.8	fc
			5964.3	1491.1	662.7	93.2	41.4	lux
	29 Degree Spot	6204.0	198.2	49.6	22.0	3.1	1.4	fc
			2132.6	533.2	237.0	33.3	14.8	lux
	39 Degree Narrow Flood	6526.0	116.6	29.2	13.0	1.8	0.8	fc
			1254.6	313.7	139.4	19.6	8.7	lux
	46 Degree Medium Flood	6193.0	100.2	25.1	11.1	1.6	0.7	fc
			1078.2	269.5	119.8	16.8	7.5	lux
	51 Degree Wide Flood	6382.0	76.4	19.1	8.5	1.2	0.5	fc
			822.1	205.5	91.3	12.8	5.7	lux
	64 Degree Very Wide Flood	6429.0	58.3	14.6	6.5	0.9	0.4	fc
			627.1	156.8	69.7	9.8	4.4	lux
	91 Degree Extra Wide Flood	6079.0	36.5	9.1	4.1	0.6	0.3	fc
			393.2	98.3	43.7	6.1	2.7	lux
4000K	20 Degree Narrow Spot	7076.0	559.0	139.8	62.1	8.7	3.9	fc
			6014.8	1503.7	668.3	94.0	41.8	lux
	29 Degree Spot	6257.0	199.0	49.8	22.1	3.1	1.4	fc
			2141.2	535.3	237.9	33.5	14.9	lux
	39 Degree Narrow Flood	6582.0	117.6	29.4	13.1	1.8	0.8	fc
			1265.4	316.3	140.6	19.8	8.8	lux
	46 Degree Medium Flood	6246.0	99.2	24.8	11.0	1.6	0.7	fc
			1067.4	266.8	118.6	16.7	7.4	lux
	51 Degree Wide Flood	6436.0	77.1	19.3	8.6	1.2	0.5	fc
			829.6	207.4	92.2	13.0	5.8	lux
	64 Degree Very Wide Flood	6484.0	58.8	14.7	6.5	0.9	0.4	fc
			632.2	158.0	70.2	9.9	4.4	lux
	91 Degree Extra Wide Flood	6131.0	36.8	9.2	4.1	0.6	0.3	fc
			396.1	99.0	44.0	6.2	2.8	lux
3000K	20 Degree Narrow Spot	6032.0	476.6	119.2	53.0	7.4	3.3	fc
			5128.2	1282.1	569.8	80.1	35.6	lux
	29 Degree Spot	5334.0	170.4	42.6	18.9	2.7	1.2	fc
			1833.5	458.4	203.7	28.6	12.7	lux
	39 Degree Narrow Flood	5611.0	100.2	25.1	11.1	1.6	0.7	fc
			1078.2	269.5	119.8	16.8	7.5	lux
	46 Degree Medium Flood	5325.0	86.2	21.6	9.6	1.3	0.6	fc
			927.5	231.9	103.1	14.5	6.4	lux
	51 Degree Wide Flood	5486.0	65.7	16.4	7.3	1.0	0.5	fc
			706.9	176.7	78.5	11.0	4.9	lux
	64 Degree Very Wide Flood	5527.0	50.1	12.5	5.6	0.8	0.3	fc
			539.1	134.8	59.9	8.4	3.7	lux
	91 Degree Extra Wide Flood	5226.0	31.4	7.9	3.5	0.5	0.2	fc
			338.0	84.5	37.6	5.3	2.3	lux
2700K	20 Degree Narrow Spot	6084.0	480.7	120.2	53.4	7.5	3.3	fc
			5172.3	1293.1	574.7	80.8	35.9	lux
	29 Degree Spot	5380.0	171.9	43.0	19.1	2.7	1.2	fc
			1849.6	462.4	205.5	28.9	12.8	lux
	39 Degree Narrow Flood	5659.0	101.1	25.3	11.2	1.6	0.7	fc
			1087.8	272.0	120.9	17.0	7.6	lux
	46 Degree Medium Flood	5371.0	86.9	21.7	9.7	1.4	0.6	fc
			935.0	233.8	103.9	14.6	6.5	lux
	51 Degree Wide Flood	5534.0	66.3	16.6	7.4	1.0	0.5	fc
			713.4	178.3	79.3	11.1	5.0	lux
	64 Degree Very Wide Flood	5575.0	50.5	12.6	5.6	0.8	0.4	fc
			543.1	135.8	60.3	8.5	3.8	lux
	91 Degree Extra Wide Flood	5271.0	31.7	7.9	3.5	0.5	0.2	fc
			340.9	85.2	37.9	5.3	2.4	lux

CHALICE RECESSED LED DOWNLIGHT 70 Watt LED

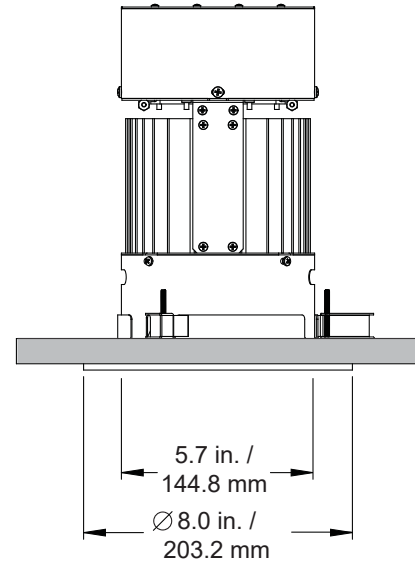
Product Dimensions - Remodeler Versions

DMX Model

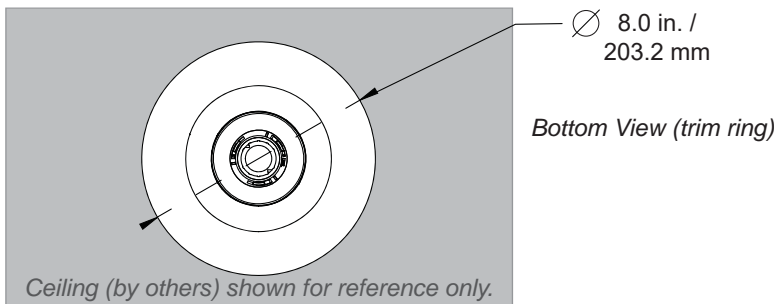
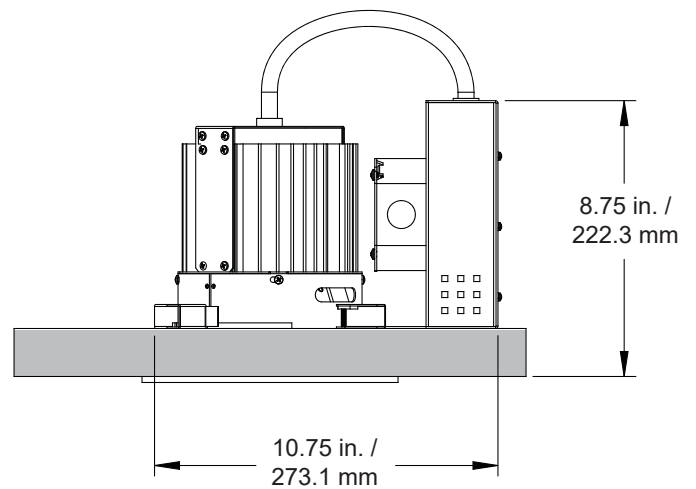
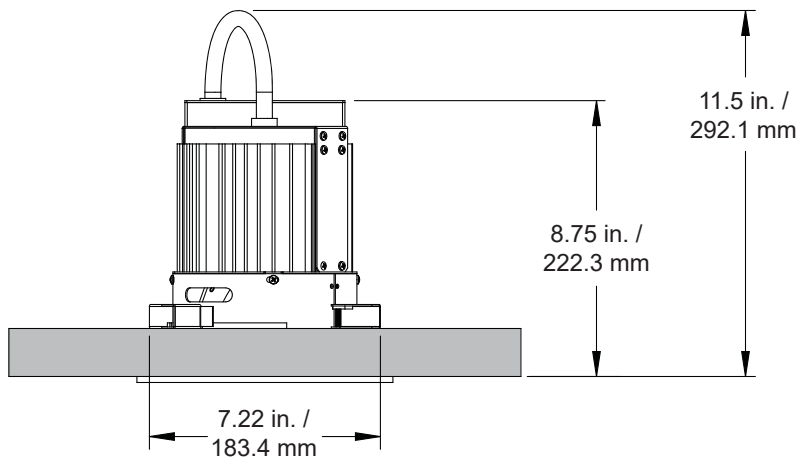


NOTE: Ceiling (by others) shown for reference only. Ceiling thickness range 0.25 to 1.5-inches. Ceiling material must be sturdy enough to support weight of luminaires.

For drop ceiling applications, you must use the new construction or sloped ceiling type luminaires.



Mains Dim Model



Note: Installation hole opening needs to be a minimum of 7-inches but no larger than 7.75-inches in diameter.

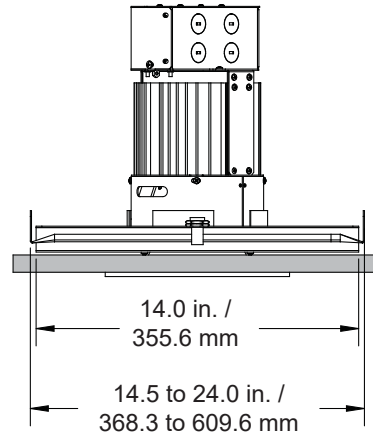
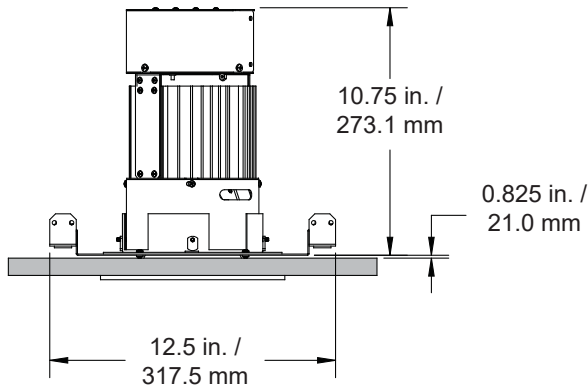
CHALICE RECESSED LED DOWNLIGHT

70 Watt LED

For drop ceiling applications, you must use the new construction or sloped ceiling type luminaires.

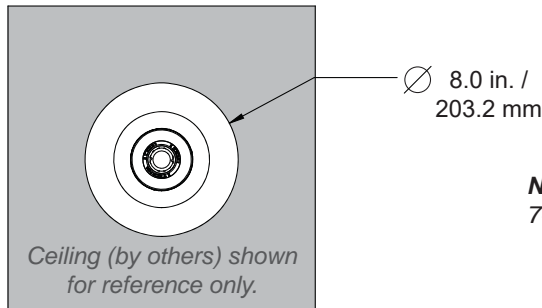
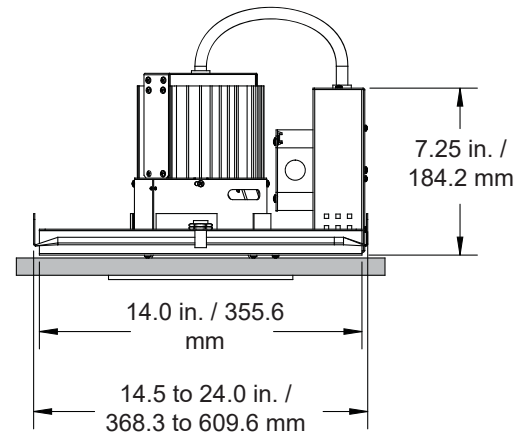
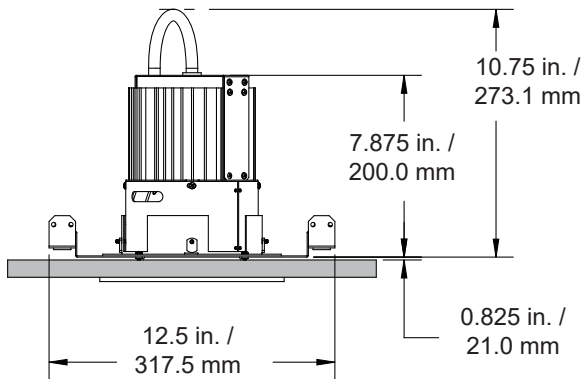
Product Dimensions - New Construction Versions

DMX Model



Mains Dim Model

NOTE: Ceiling (by others) shown for reference only. Ceiling thickness range 0.25 to 1.5-inches. Ceiling material must be sturdy enough to support weight of luminaires.



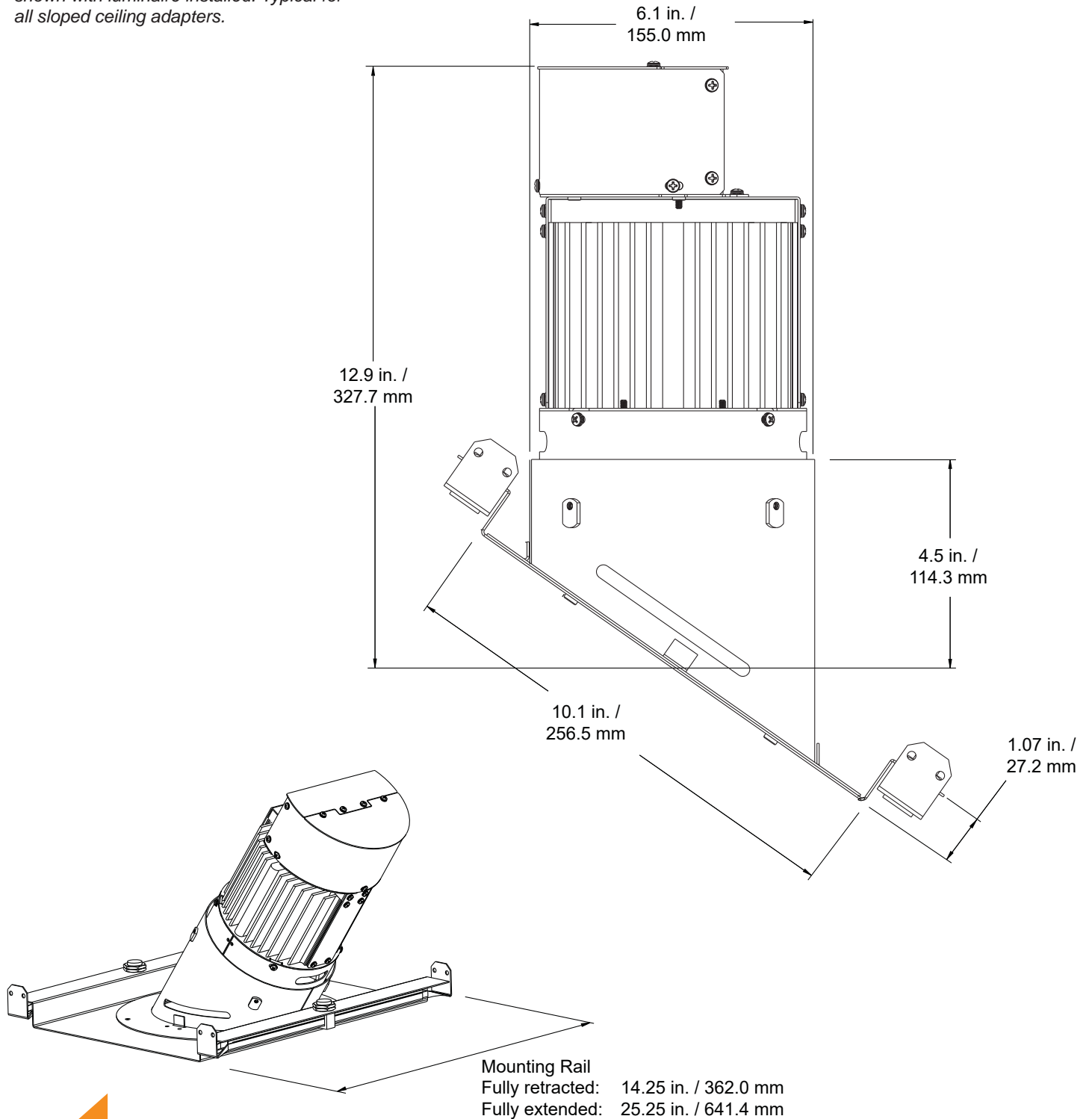
Note: Installation hole opening needs to be a minimum of 7-inches but no larger than 7.75-inches in diameter.

Sloped Ceiling Adapters

Product Dimensions

Note: 35-degree sloped ceiling adapter shown with luminaire installed. Typical for all sloped ceiling adapters.

For drop ceiling applications, you must use the new construction or sloped ceiling type luminaires.



Specifications

Materials:	Construction employs all corrosion-resistant materials and hardware.
Control:	Mains Dimmable or DMX / RDM
Light Engines:	70W LED Array - Available in 2700K, 3000K, 4000K or 5000K White / CRI > 90
Light Output:	See Page 3 of this Document
Lumens/Watt:	100 (dependent on reflector)
LED Rated Life:	LED arrays are rated for >50,000 hours of operation.
Input Voltage:	DMX Models: 100-277 VAC 50/60 Hz Mains Dimmable Models: 100-240 VAC 50/60 Hz
Current Draw:	DMX Models: 0.58A @ 120VAC / 0.32A @ 220VAC / 0.25A @ 277VAC Mains Dimmable Models: 0.58A @120VAC / 0.29A @ 240VAC
Power Factor:	> 0.92 @ Full Load (Mains Dimmable Models)
Current Inrush:	15Apk Max 1/2 cycle @ 230VAC (Mains Dimmable Models)
Quiescent Load:	3.1 Watts (DMX Models Only)
Light Engine	
Cooling:	Natural Convection
Environment:	0 to 40 degrees C (32 to 104 degrees F) / 5%-95% Non condensing
Weight:	9.0 lbs. (4.1 Kg.)
Compliance:	cETLus Listed, CE marked

Ordering Information

CDR70-(Mounting)-(LED Array)-(Trim Ring)-(Control)-(Voltage)

Model:	CDR70 Chalice Recessed LED Luminaire
Mounting:	RM (Remodeler) or NC (New Construction) or SSA (Sloped Ceiling Adapter)***
LED Array:	2K (2700K), 3K (3000K), 4K (4000K) or 5K (5000K)
Trim Ring Color:	Black (B) or White (W) or Custom (C)*
Control:	DMX Control (D) or Mains Dimmable (M)**
Voltage:	120 (120VAC), 220 (220VAC), or 277 (277VAC)

Notes:

*Consult factory before ordering.

**Mains Dimmable models are only available in 120VAC or 220VAC.

***At time of ordering, you must specify the angle of the sloped ceiling adapter. See below for available versions.

Each luminaire ordered, remodeler, new construction or sloped ceiling adapter, includes one (1) reflector. Specify reflector type at time of ordering.

For drop ceiling applications, you must use the new construction or sloped ceiling type luminaires.

Optional Accessories

19-F13379	20 Degree Narrow Spot Reflector
19-F13380	29 Degree Spot Reflector
19-F13325	39 Degree Narrow Flood Reflector
19-F13381	46 Degree Medium Flood Reflector
19-F13401	51 Degree Wide Flood Reflector
19-F13402	64 Degree Very Wide Flood Reflector
19-F13838	91 Degree Extra Wide Flood Reflector
CDR70-150RMR	Remodeler Ring Mount CDR70.150
CDR70-150NCT	New Construction Tray Mount CDR70.150
CDR70-150SSA-5	CDR 70 & 150 5 Degree Sloped Ceiling Adapter
CDR70-150SSA-10	CDR 70 & 150 10 Degree Sloped Ceiling Adapter
CDR70-150SSA-15	CDR 70 & 150 15 Degree Sloped Ceiling Adapter
CDR70-150SSA-20	CDR 70 & 150 20 Degree Sloped Ceiling Adapter
CDR70-150SSA-25	CDR 70 & 150 25 Degree Sloped Ceiling Adapter
CDR70-150SSA-30	CDR 70 & 150 30 Degree Sloped Ceiling Adapter
CDR70-150SSA-35	CDR 70 & 150 35 Degree Sloped Ceiling Adapter

Please note: up to 25% beam clipping will occur, with the use of medium 51°, 64°, and 90° angle reflectors on the long axis of a sloped ceiling adapter. Please utilize standard 20 to 30% beam overlap when using this accessory and these reflectors.