

SPECTRA PAR 100

100 Watt LED Par

SSPAR100

The Spectra PAR 100 is an indoor and outdoor-rated 100 Watt LED par luminaire. Designed for theatrical and architectural applications, the Spectra PAR 100 acts as a true par lighting fixture complete with interchangeable VNSP, NSP, MFL and WFL lenses.

The on-board power supply allows for direct power input. Data can also be directly connected to the luminaire. The Spectra PAR 100 is compatible with both DMX and RDM protocols, and comes complete with a library of pre-programmed single colors and various color mixes.

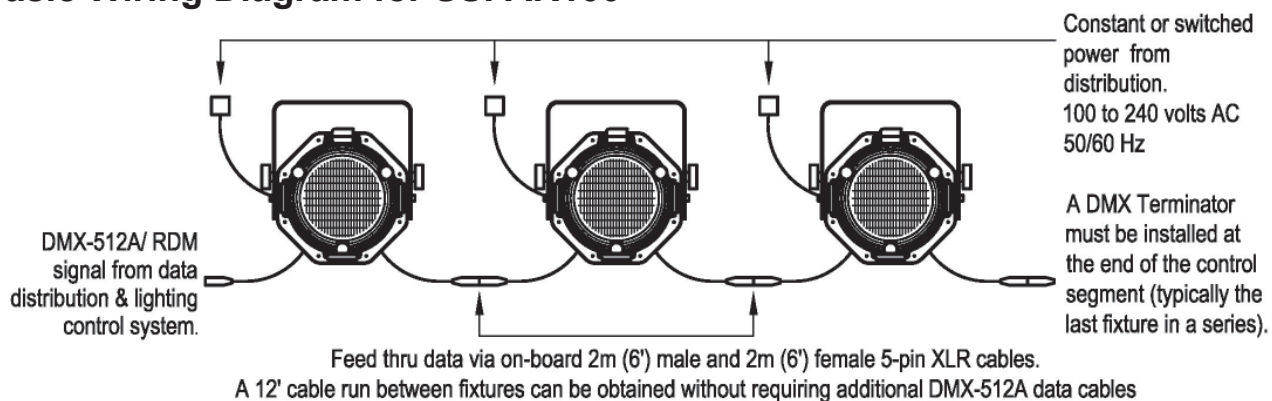
The Spectra Par 100 is an IP65-rated, wet location fixture and comes with installed male and female Neutrik X-HD Series 5-pin XLR connectors for DMX-512A Input and Output. These connectors are IP65 rated in a mated condition, when correctly installed.

Product Features:

- Available in 5 Standard LED color configurations: RGBA, RGBW, 3K White, 6K White, or 3K-6K Tunable White
Please Note: The RGBW version utilizes 3K emitters for the white channel. Variants will be considered custom.
- Convection cooled
- Available in pipe mount mounting
- Tool-free exchangeable VNSP, NSP, MFL, WFL and XWFL lenses
- On-board multi-voltage power supply 100-240VAC
- Feed through data capabilities using 5-pin XLR connectors
- Compatible with DMX and RDM protocols
- Push button addressing
- Pre-programmed modes for fixed colors, timed color changes and strobes
- Weight: 22 lbs. / 10.0 kg
- cETLus listed for outdoor use (IP65 rated)
- Made in the USA



Basic Wiring Diagram for SSPAR100



Lens Performance (RGBA Array)

VNSP (Very Narrow Spot) Lens				
Throw Distance (d)	10' 3.0m	15' 4.6m	20' 6.1m	25' 7.6m
Beam Size (H x V)	1.7' x 1.7' 0.5m x 0.5m	2.5' x 2.5' 0.8m x 0.8m	3.3' x 3.3' 1.0m x 1.0m	4.2' x 4.2' 1.3m x 1.3m
Illuminance (fc)	215	96	54	34
Illuminance (lux)	2,316	1,029	579	371

NSP (Narrow Spot) Lens				
Throw Distance (d)	10' 3.0m	15' 4.6m	20' 6.1m	25' 7.6m
Beam Size (H x V)	2.2' x 2.2' 0.7m x 0.7m	3.3' x 3.3' 1.0m x 1.0m	4.4' x 4.4' 1.3m x 1.3m	5.5' x 5.5' 1.7m x 1.7m
Illuminance (fc)	147	65	37	23
Illuminance (lux)	1,579	702	395	253

MFL (Medium Flood) Lens				
Throw Distance (d)	10' 3.0m	15' 4.6m	20' 6.1m	25' 7.6m
Beam Size (H x V)	3.27' x 2.5' 1.1m x 0.7m	5.6' x 3.7' 1.7m x 1.1m	7.4' x 4.9' 2.3m x 1.5m	9.3' x 6.1' 2.8m x 1.9m
Illuminance (fc)	81	36	20	13
Illuminance (lux)	871	387	218	139

WFL (Wide Flood) Lens				
Throw Distance (d)	10' 3.0m	15' 4.6m	20' 6.1m	25' 7.6m
Beam Size (H x V)	7.0' x 3.5' 2.1m x 1.1m	10.5' x 5.3' 3.2m x 1.6m	14.0' x 7.1' 4.3m x 2.1m	17.5' x 8.8' 5.3m x 2.7m
Illuminance (fc)	41	18	10	7
Illuminance (lux)	438	194	109	70

Lens Performance (3000K White Array)

VNSP (Very Narrow Spot) Lens				
Throw Distance (d)	10' 3.0m	15' 4.6m	20' 6.1m	25' 7.6m
Beam Size (H x V)	1.7' x 1.7' 0.5m x 0.5m	2.5' x 2.5' 0.8m x 0.8m	3.3' x 3.3' 1.0m x 1.0m	4.2' x 4.2' 1.3m x 1.3m
Illuminance (fc)	471	209	118	75
Illuminance (lux)	5,068	2,252	1,267	811

NSP (Narrow Spot) Lens				
Throw Distance (d)	10' 3.0m	15' 4.6m	20' 6.1m	25' 7.6m
Beam Size (H x V)	2.2' x 2.2' 0.7m x 0.7m	3.3' x 3.3' 1.0m x 1.0m	4.4' x 4.4' 1.3m x 1.3m	5.5' x 5.5' 1.7m x 1.7m
Illuminance (fc)	364	162	91	58
Illuminance (lux)	3,917	1,741	979	627

MFL (Medium Flood) Lens				
Throw Distance (d)	10' 3.0m	15' 4.6m	20' 6.1m	25' 7.6m
Beam Size (H x V)	3.27' x 2.5' 1.1m x 0.7m	5.6' x 3.7' 1.7m x 1.1m	7.4' x 4.9' 2.3m x 1.5m	9.3' x 6.1' 2.8m x 1.9m
Illuminance (fc)	181	80	45	29
Illuminance (lux)	1,948	866	487	312

WFL (Wide Flood) Lens				
Throw Distance (d)	10' 3.0m	15' 4.6m	20' 6.1m	25' 7.6m
Beam Size (H x V)	7.0' x 3.5' 2.1m x 1.1m	10.5' x 5.3' 3.2m x 1.6m	14.0' x 7.1' 4.3m x 2.1m	17.5' x 8.8' 5.3m x 2.7m
Illuminance (fc)	88	39	22	14
Illuminance (lux)	947	421	237	152

Specifications

Materials: Construction is corrosion-resistant materials and hardware.
Housing: Lightweight aluminum fabrication.
Light Engine: Luxeon Rebel LEDs – 100 Watts Max at full RGBA
Lenses: Borosilicate glass 8" diameter PAR64
Lens Holder: Fully rotational, provided with three insulated finger tabs. Tool-free changing of lenses. 360° rotation.
Rating: Multi-Voltage; 100-240 VAC operation
Data Ports: 1 Male & 1 Female 5-Pin XLR cable
Power Cable: 6-foot, bare lead
Operational Temperature: 0°C (32° F) to 40°C (104°F)
Weight: 22 lbs. (10.0 kg)

Ordering Information

SS-PAR100-(LED Array)-(Body Color)
Models: SSPAR100, Spectra Par 100
LED Arrays: RGBA, RGBW, 3K White, 6K White, 3K6K Tunable White or Custom (C)*
Body Colors: Black (BK) or White (WH) or Custom (CP)**
 *Consult factory for custom LED array. The RGBW version utilizes 3K emitters for the white channel. Variants will be considered custom.
 **Black (BK) or White (WH) or Custom (CP). Consult factory for custom colors.
 Note: Unit is supplied with Set of four lenses (VNSP, NSP, MFL, and WFL - 97-0150) and Safety Cable (SC-36-BK)

Optional Accessories

SC-36-BK 36-inch Safety Cable with Spring Clip
SS-SC-40-BK 510 40-inch Stainless Steel Safety Cable Malleable Iron Pipe Clamp
XLR-5-5 5-foot, 5-Pin XLR Extension Cable
XLR-5-10 10-foot, 5-pin XLR Extension Cable
XLR-5-25 25-foot, 5-pin XLR Extension Cable
99-DMX-TERM In line 5-pin DMX terminator
8-BD-4 Four Leaf Barndoor
8-CFB Black Color Frame 10"x10"
8-SN Black Snoot
18-0114 Optional XWFL Lens
97-0150 Replacement Set of Four Lenses (VNSP, NSP, MFL, and WFL)

